

2310111076

QNV-6082R dome camera

2M H.265 NW IR Dome Camera



- ✓ Max. 2megapixel (1920 x 1080) resolution
- ✓ 0.03lux (Color), 0Lux (B/W, IR LED on)
- ✓ 3.2 ~ 10mm (3.1x) varifocal lens
- ✓ Max. 30fps@2M all resolutions (H.265/H.264)
- ✓ H.265, H.264, MJPEG codec supported, Multiple streaming
- ✓ Motion detection, Tampering, Defocus detection
- ✓ Hallway view (90°/270°), LDC support
- ✓ Micro SD/SDHC/SDXC memory slot (Max. 128GB)
- ✓ IR viewable length 30m
- ✓ IP66, IK10, PoE/12VDC



IP66



IK10

Description

The QNV-6082R from Hanwha's Q Series is an affordable 2MP network dome camera featuring WiseStreamII, Hanwha's compression technology, triple codec H.265/H.264/MJPEG, 3.2 ~ 10.0mm motorized varifocal lens, IR, PoE/12VDC, 120dB WDR, Defocus Detection, Hallway View, one-way audio and SD card slot (SD/SDHC/SDXC up to 128GB).

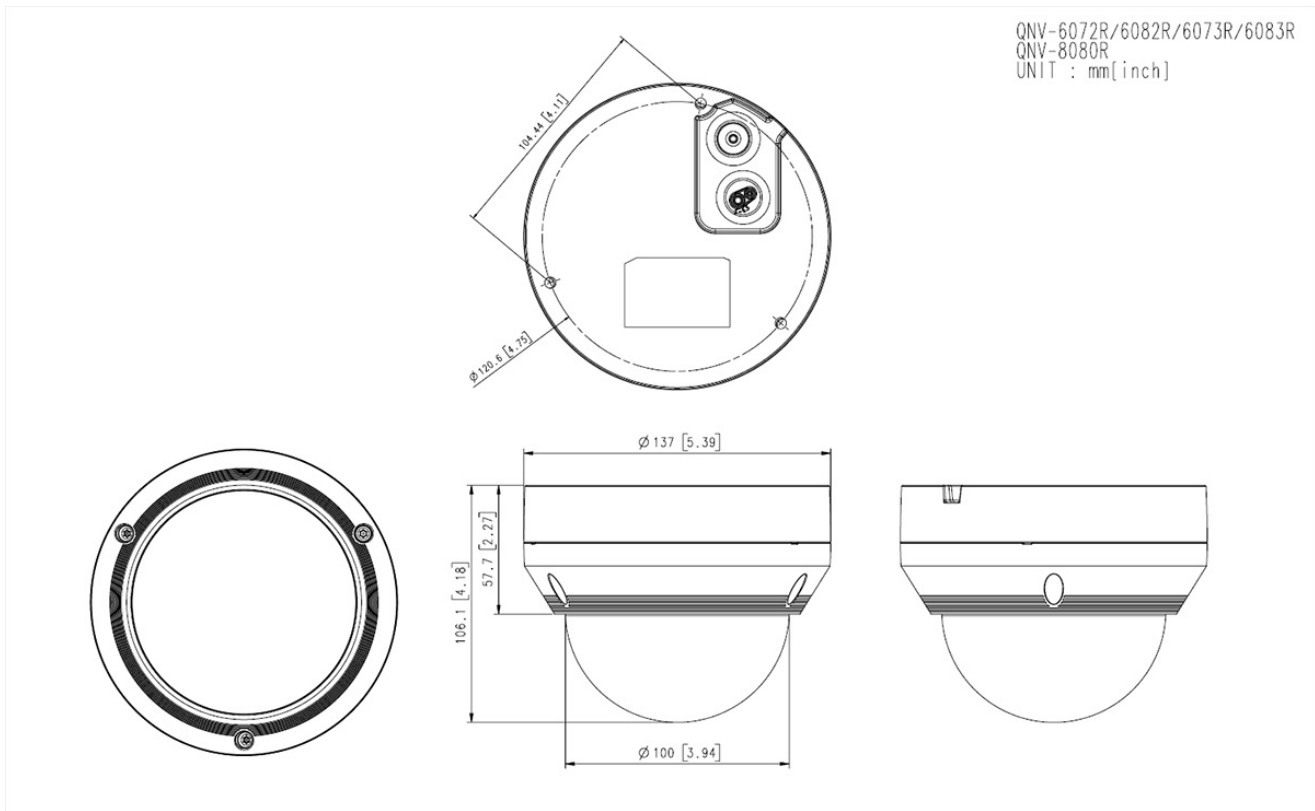
Improved bandwidth efficiency with WiseStreamII support, H.265

WiseStream, the advanced compression technology can reduce bandwidth by 50% by using dynamic technologies. And when combined with H.265, the bandwidth efficiency can be improved up to 75% compared to the current H.264 technology.

Minimize image distortion by Lens Distortion Correction

Lens Distortion is typically shown in video on the straight lines near to edges of a image making the straight lines look curved outward. With Lens Distortion Correction technology imperfections in images are easily removed.

Technical Dimensions



Specifications

VIDEO

Imaging Device	1/2.8" 2MP CMOS
Resolution	1920x1080, 1280x960, 1280x720, 800x600, 800x448, 720x576, 720x480, 640x480, 640x360
Max. Framerate	H.265/H.264: Max. 30fps/25fps(60Hz/50Hz) MJPEG: Max. 15fps/12fps(60Hz/50Hz)
Min. Illumination	Color: 0.03Lux(F1.6, 1/30sec) BW: 0Lux(IR LED on)
Video Out	CVBS: 1.0 Vp-p / 75Ω composite, 720x480(N), 720x576(P) for installation

LENS

Focal Length (Zoom Ratio)	3.2~10mm(3.1x) motorized varifocal
Max. Aperture Ratio	F1.6(Wide) ~ F2.9(Tele)
Angular Field of View	H: 109.0°(Wide) ~ 33.2°(Tele) / V: 57.4°(Wide) ~ 18.7°(Tele) / D: 132.0°(Wide) ~ 38.0°(Tele)
Focus Control	Simple focus
Lens Type	DC auto iris
Pan / Tilt / Rotate Range	0° ~ 350° / 0° ~ 67° / 0° ~ 355°

OPERATIONAL

IR Viewable Length	30m (98.42ft)
Camera Title	Displayed up to 85 characters
	W/W : English / Numeric / Special characters
	Common : Multi-line (Max. 5), Color (Grey / Green / Red / Blue / Black / White), Transparency, Auto scale by resolution
Day & Night	Auto (ICR)
Backlight Compensation	BLC, WDR, SSSR
Wide Dynamic Range	120dB
Digital Noise Reduction	SSNR
Motion Detection	Off / On (4ea polygonal zones)
Privacy Masking	Off / On (6ea rectangular zones)
Gain Control	Low / Middle / High
White Balance	ATW / AWC / Manual / Indoor / Outdoor
LDC (Lens distortion correction)	Support
Electronic Shutter Speed	Minimum / Maximum / Anti flicker
Flip / Mirror	Flip / Mirror / Hallway view
Intelligent Video Analytics	Defocus detection, Directional detection, Motion detection, Enter/Exit, Tampering, Virtual line
Alarm I/O	Input 1 / Output 1
Alarm Triggers	Analytics, Network disconnect, Alarm input
	File upload via FTP and

Alarm Events e-mail Notification via e-mail SD/SDHC/SDXC or NAS recording at event triggers Alarm output

NETWORK

Ethernet RJ-45 (10/100BASE-T)

Video Compression Format H.265/H.264: Main/High, MJPEG

Resolution 1920x1080, 1280x960, 1280x720, 800x600, 800x448, 720x576, 720x480, 640x480, 640x360

Max. Framerate H.265/H.264: Max. 30fps/25fps (60Hz/50Hz) MJPEG: Max. 15fps/12fps (60Hz/50Hz)

Smart Codec WiseStream II support

Video Out CVBS: 1.0 Vp-p / 75Ω composite, 720x480(N), 720x576(P) for installation

Bitrate Control Method H.264/H.265: CBR or VBR MJPEG: VBR

Streaming Capability Unicast (6 users) / Multicast Multiple streaming (Up to 3 profiles)

Audio In Selectable (Built-in microphone), Supported voltage: 2.5VDC (4mA), Input impedance: 2K Ohm

Audio Compression Format G.711 u-law /G.726 Selectable G.726(ADPCM) 8KHz, G.711 8KHz G.726: 16Kbps, 24Kbps, 32Kbps, 40Kbps

Audio Communication	Uni-directional audio
IP	IPv4, IPv6
Protocol	TCP/IP, UDP/IP, RTP(UDP), RTP(TCP), RTCP, RTSP, NTP, HTTP, HTTPS, SSL/TLS, DHCP, FTP, SMTP, ICMP, IGMP, SNMPv1/v2c/v3(MIB-2), ARP, DNS, DDNS, QoS, UPnP, Bonjour, LLDP
Security	HTTPS(SSL) Login Authentication Digest Login Authentication IP Address Filtering User access log 802.1X Authentication(EAP-TLS, EAP-LEAP)
Streaming Method	Unicast / Multicast
Max. User Access	6 users at unicast mode
Storage	micro SD/SDHC/SDXC (Max. 128GB), NAS
	- Motion images recorded in the SD memory card can be downloaded
	- Manual recording at local PC
Application Programming Interface	ONVIF Profile S/G/T SUNAPI(HTTP API) Wisenet open platform
Webpage Language	English, Korean, Chinese, French, Italian, Spanish, German, Japanese, Russian, Swedish, Portuguese, Czech, Polish, Turkish, Dutch, Hungary, Greek
	Supported OS: Windows 7, 8.1, 10, Mac OSx10.12, 10.13, 10.14 Recommended

ENVIRONMENTAL

Operating Temperature
/ Humidity: -30°C ~
+55°C(-22°F ~ +131°F)
/ Less than 90% RH *
Start up should be done
at above -20°C

Storage Temperature /
Humidity: -30°C ~
+60°C(-22°F ~ +140°F)
/ Less than 90% RH

ELECTRICAL

Input Voltage / Current:
PoE (IEEE802.3af,
Class3), 12VDC

Power Consumption:
PoE: Max 7.70W,
typical 6.00W, 12VDC:
Max 6.50W, typical
5.10W

MECHANICAL

Color / Material: White
RAL9003 / Aluminum

Dimensions (WxH):
Ø137.0x106.1mm(Ø5.3
9x4.18")

Weight: 710g(1.57 lb)

Accessories



SBV-136BW Back Box

White

Back Box

Item Number: 2310111077