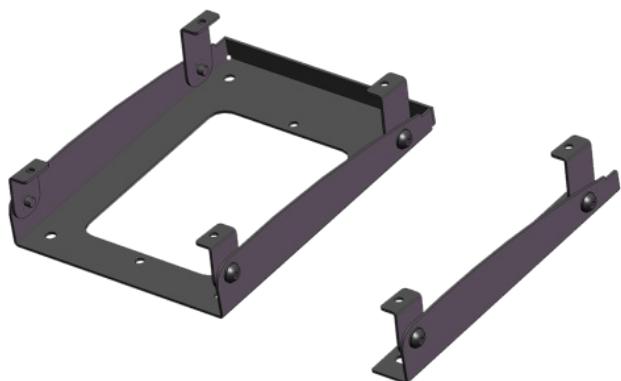


1200560100

MPX10-MB

Wall or desk mount bracket kit for MPS10 and MPS20 microphones

- ✓ WALL OR DESK MOUNT BRACKET FOR THE MPS
- ✓ EASY INSTALLATION
- ✓ COMPATIBLE WITH THE MPS10 AND MPS20 MICROPHONES



Public Address



Voice Alarm

Commercial Audio



Civil Defence Approval

EN54

EN 54 Certified

Description

The MPX10-MB is a wall or desk mounting bracket kit for the MPS10 and MPS20 microphones. It is designed to securely hold the microphone and allows for simple, straightforward installation.

Used With



MPS10-G

Desk Mount Paging and
Emergency Microphone with 10
buttons - Gooseneck



MPS20-G

Desk Mount Paging and
Emergency Microphone with 20
buttons - Gooseneck