

1023321311

ZIPS-H | IP Horn Speaker

Zenitel IP Speaker - Horn



- ✓ Zenitel Audio Presence - crystal clear audio
- ✓ Protected from dust and Water - IP66
- ✓ Speaker-as-mic Technology
- ✓ External RJ45 connection
- ✓ Max. SPL: 120 dBA (1m)
- ✓ Ideal for Micro Zone PA and systems that require a limited number of speakers
- ✓ Each speaker is individually addressable and monitored
- ✓ ONVIF Compatible
- ✓ Remote software upgrade and configuration
- ✓ Relay output for remote control, e.g. doors, signal lamps, gates
- ✓ Powered from the IP network cable using Power over Ethernet (PoE)



SIP

IC-EDGE

IC-Edge

ICX

ICX-AlphaCom



IP66



IK08

Audio



Automatic Volume



HD Voice

Network

Description

The Zenitel IP Horn Speaker features a Class D amplifier, powered via PoE, and is designed with a horn shape to enhance both sound pressure level (SPL) and directivity. This design enables the speaker to deliver up to 120 dBA SPL peak signal (with a 6 dB crest factor), making it ideal for environments where speakers need to be positioned at a distance from the listener and where space is not a primary concern.

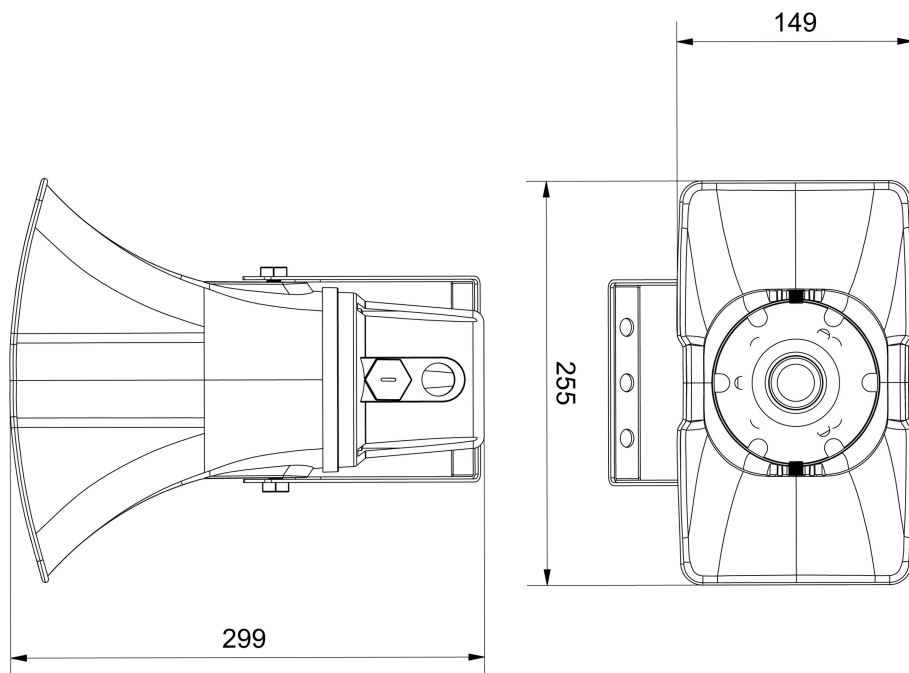
The ZIPS-H is at home in high-noise environments and where reflections must be controlled to maintain intelligibility such as ideal for road and tunnel infrastructure and industrial projects. Of course it is equally suited to building security applications where perimeter and asset protection may be the focus.

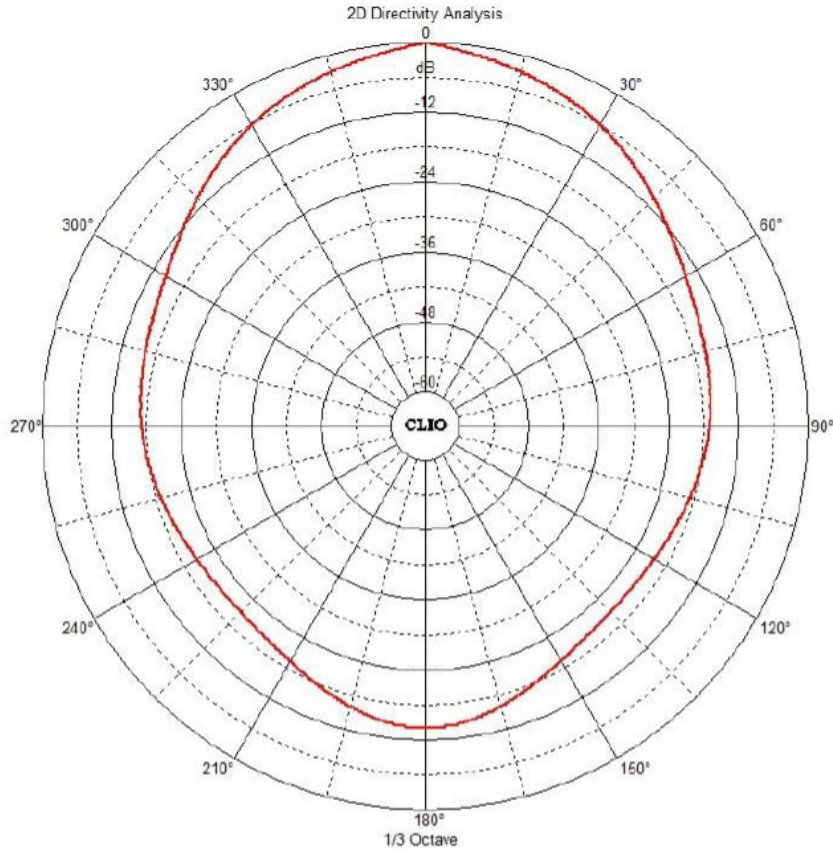
Leveraging IP technology, each speaker can be individually monitored and managed. With the amplifier integrated directly into the speaker, the need for a central amplifier unit and traditional speaker loops is eliminated, making the system highly scalable and simplifying the addition of new speakers.

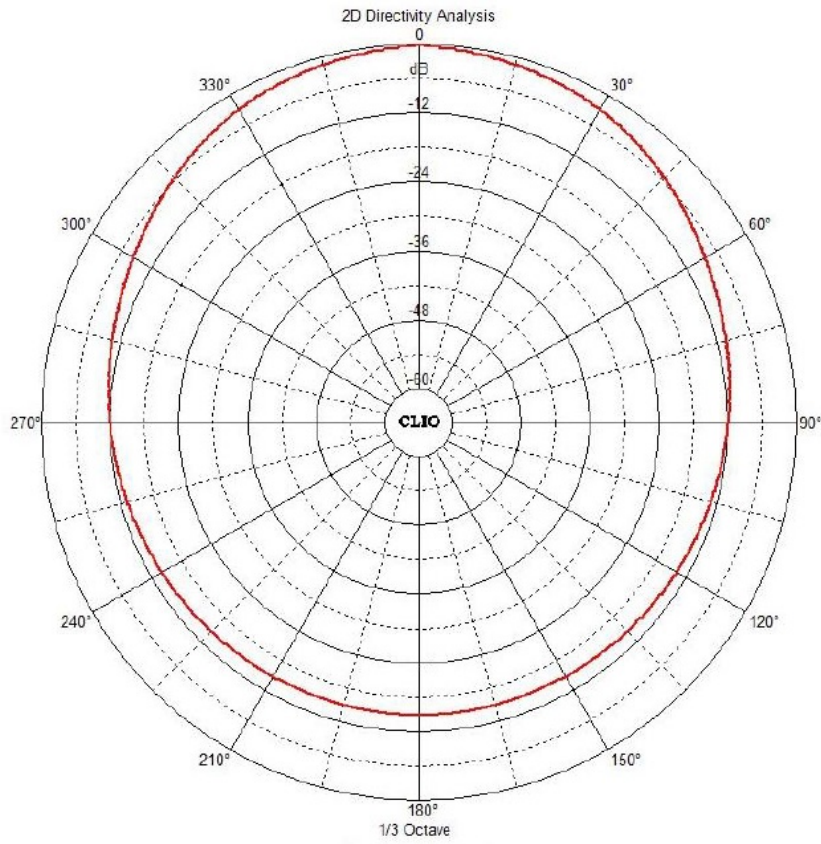
While conventional speaker loops are not required, the speakers can still be grouped into zones that can extend across networks or even the Internet. To ensure maximum reliability, the speaker comes equipped with advanced supervision features.

The built-in microphone offers intelligent functionalities such as self-checking and automatic volume control. It also enhances traditional broadcast systems by enabling half-duplex communication and ambient listening. The self-checking feature detects any faults in the network or speaker electronics, with status updates sent to the central unit and third-party management systems via SNMP or Syslog. The speakers can

Technical Dimensions







Specifications

GENERAL

Codecs	G.711, G.722
Effective frequency range	275 - 7000 Hz
Continuous SPL (6dB crest Factor)	115 dBA
Max. SPL @ 1kHz/1m	120 dBA
Output Power (Continuous/Peak)	7.5W/30W
IP Rating	IP66
Dimension (WxHxD)	253 x 152 x 309 mm
Weight	1,85 kg
Material, Color	ABS, grey
Mounting	Bracket, stainless steel grade 304
Boxed Shipping weight	
Boxed Shipping dims (Width x Height x Depth)	

NETWORKING AND PROTOCOLS

Protocols	IPv4 (with DiffServ), SIP, TCP, UDP, HTTPS, TFTP, RTP, DHCP, SNMP, ONVIF, CCoIP®, NTP
LAN protocols	Power over Ethernet (IEEE 802.3 a-f) Network Access Control (IEEE 802.1x)
Management and operation	HTTP/HTTPS (Web configuration) DHCP and static IP + IC-EDGE. Remote automatic software upgrade. Centralized monitoring
Advanced supervision functions	E.g. network test, tone test, status reports
SIP support	RFC 3261 (SIP base standard), RFC 3515 (SIP refer), RFC 2976 (SIP info)
DTMF support	RFC 2833, 2976 (SIP info)

HARDWARE

Ethernet connector	1 x RJ 45
All other connectors	Tool less, spring loaded, vibration proof terminals
General inputs and outputs	1x GPIO; 1x mic/line input
Output	12mA as LED drivers
Change-over relay (NO+COM)	48V nominal, max. 100VDC, 70VAC
Power options	PoE
PoE (power over Ethernet)	IEEE 802.3af standard, Class 3 (6.49W to 12.95 W)
Max current consumption	0.35 A
Secondary speaker line out	8 Ohm

ENVIRONMENT AND COMPLIANCES

Operating temperature range	-40° to 70° C / -40° to 158 ° F
Storage temperature range	-40° to 70° C / -40° to 158 ° F
Relative humidity	< 95% not condensing
EMC	CE and FCC Part 15
IP Rating	IP66
IK Rating	IK08

OTHER SPECIFICATIONS

System boot time	Under 10 seconds
IP address information	Speaker IP address on input short
Country of manufacture	Norway
Warranty	2 Years standard warranty, extendible up to total of 5 years (additional fee)

Accessories



VLS-GLAND

Cable gland for VLS-15/30

Item Number: 2131000207