

3006100019

## **CAR-4TF**

Loudspeaker Wall-Mount Double Faces 4W

---



---

### **DESCRIPTION**

- Double faced loudspeaker w/ transformer for accommodations area
- Ideal for P.A. intercom and background music
- To be used together with 100V line amplifier

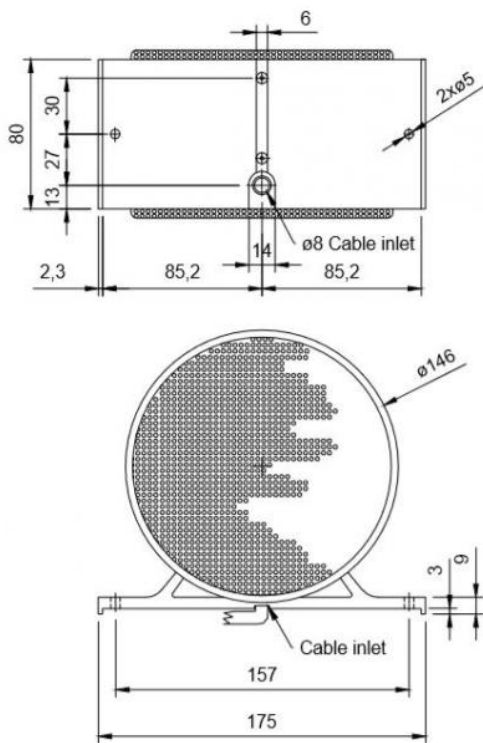
The CAR-4TF is a general purpose loudspeaker to be used on 50/100 V lines. The speaker is bidirectional and disperses audio in both directions. This feature makes this speaker very well suited for corridors and other applications where audio has to be evenly distributed.

# SPECIFICATIONS

## GENERAL

Material / Color	Aluminium / Anodized
Dimensions	Ø 152 x 90D
Mounting	Foot bracket
Termination	Cable, 1m
Weight	1.5 kg
Rated / Max power	4W / 6W
SPL 1W / 1 m	90 dB
SPL rated power	96 dB
Effective frequency range	150-16000 Hz
Dispersion (-6dB) 1kHz / 4kHz	360° / 50°
Protection	IP30

## TECHNICAL DIMENSIONS



## CIRCUIT DIAGRAM

