

3006100032

CW-4T

Wall Loudspeaker 6W



DESCRIPTION

- Wall loudspeaker w/ transformer for accommodation area
- Excellent for P.A. intercom and background music
- With 100V line transformer

Screw the bracket on the wall, and fasten the cabinet to the bracket with one screw.

For optimum performance, always use the correct voltage / power and operate within the frequency limits as stated.

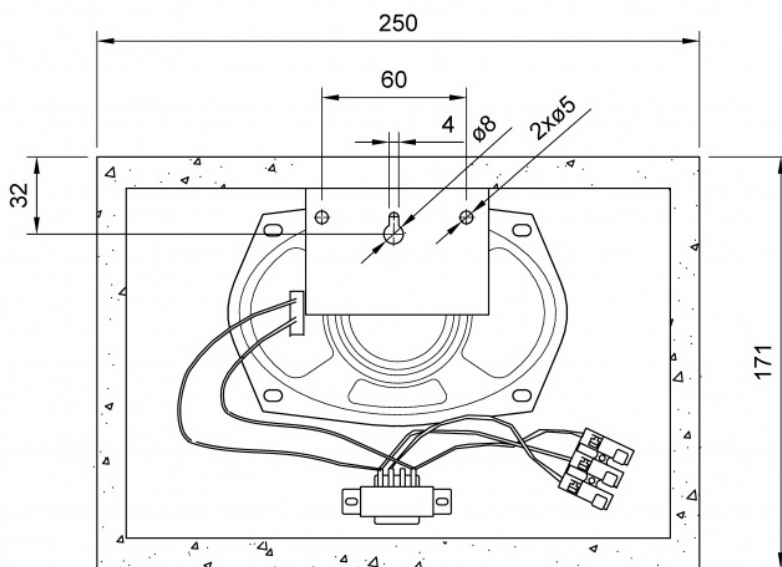
SPECIFICATIONS

GENERAL

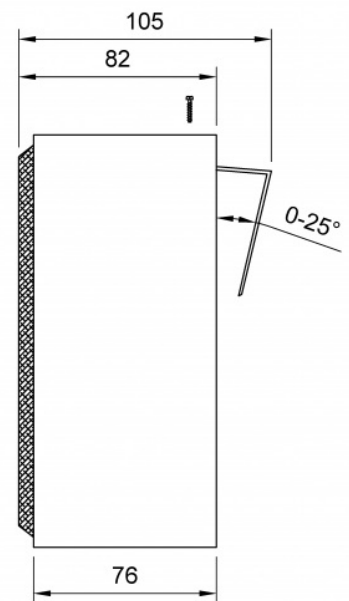
| | |
|---------------------------------|------------------------------------|
| Dimensions (mm) | 250W x 170H x 88D |
| Weight | 1.2 kg |
| Mounting | Screws, keyhole |
| Material/ Color | Particle board / White or walnut |
| Temperature range | Max. / min. amb. temp 90°C / -40°C |
| Max. / min. ambient temperature | 90°C / -40°C |
| Connections | Spring clamp |
| Rated / max. power | 6W / 8 W |
| SPL 1W/1m | 90dB |
| SPL rated power | 97dB |
| Effective freq. range | 140 - 20000Hz |
| Dispersion | (-6dB)1kHz / 4kHz 140° / 80° |

TECHNICAL DIMENSIONS

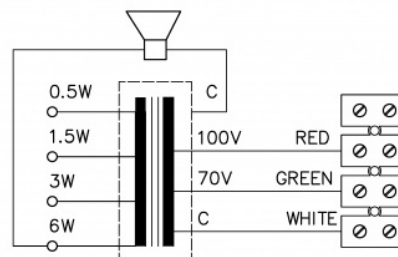
REAR VIEW



RIGHT VIEW



CIRCUIT DIAGRAM



Secondary nominal tapings

| | |
|--------|------|
| C: 6 | 6,0W |
| C: 3 | 3,0W |
| C: 1,5 | 1,5W |
| C: 0,5 | 0,5W |