

2310111130

DS-1602ZJ- bracket with junction box

Wall mount bracket with junction box for indoor/outdoor use.



- Aluminum alloy material with surface spray treatment
- General design for indoor/outdoor
- Better water proof design
- With safety rope, the assembling is safer and more convenient

DESCRIPTION

NOTICE

- The bracket should be installed on the flat surface of a wall
- The wall must be capable of supporting more than 3 times the total capacity of the camera and the bracket.

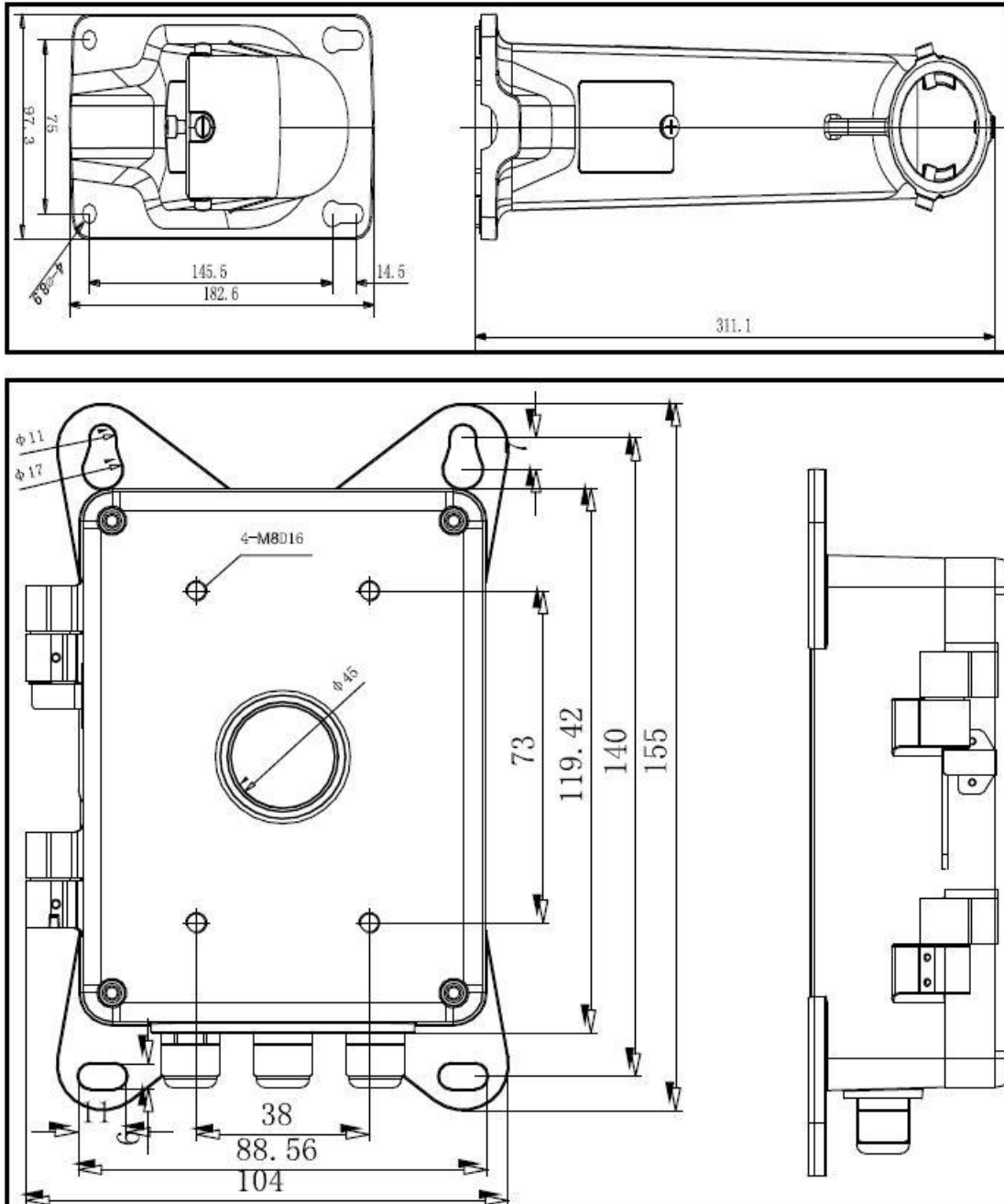
SPECIFICATIONS

SPECIFICATION

Model	DS-1602ZJ-box
Model	Wall Mount Bracket In/Outdoor w/Junction Box
Color	Hik white
Feature	Suitable for speed dome pendent mounting
Material	Aluminum alloy
Dimension	396.5×209×310mm
Weight	3230g

TECHNICAL DIMENSIONS

Dimension:



2310111144

DS-2DE4425IW-DED PTZ CAMERA

4MP 25x Network IR Speed Dome PTZ camera

