

1023200033

ECPIR-3P

Exigo Access Panel / Turbine Intercom



IC-EDGE IC-Edge



ICX-AlphaCom



EN54 EN54-16 Certified

UL UL Certified Intercom

Control Room Solutions

DESCRIPTION

- Network access panel for console mounting
- Compatible with ICX-AlphaCom and Exigo systems
- SIP/VoIP functionality for use with 3rd-party systems
- Advanced call handling in IC-Edge systems
- DSP for acoustic signal processing
- Communication and Power over Ethernet
- Three programmable buttons with individual labels and status indicators
- Separate PTT button
- LED Indicators for power, call, and fault
- For single or dual systems (A-B systems)
- Supports handheld and gooseneck microphones
- Supports up to four EMBDR-8 expansion modules

The ECPIR-3P is an access panel and intercom station developed for console mounting and used with either SIP, IC-Edge, ICX-AlphaCom or Exigo systems. The access panel features three fully programmable buttons and a PTT button that can be used to manually select zones, initiate fire alarms, gas alarms, or any other action in the Exigo system.

The unit can be used with either a handheld PTT microphone or a gooseneck microphone, allowing an operator to make announcements in the Exigo PA/GA system. Automatic gain control and digital audio processing can be used to handle noisy and challenging environments when necessary.

The unit is fully digital, and connects to the SIP, IC-Edge, ICX-AlphaCom or Exigo system over standard Ethernet network cabling. Two monitored Ethernet ports are available in order to facilitate redundant cabling and connection to both the A and B system.

LED indicators on the unit show the status of the power supply and call activity, and whether a fault is present in the system. The fault indicator can also be designated to only show faults on the access panel itself. Each of the access panel's buttons features two independent indicators that show the status of the button's function.

See also: [additional documentation on wiki.zenitel.com](https://wiki.zenitel.com)

Created: 07.07.2014, updated: 23.03.2021

page 1/3

www.zenitel.com

info@zenitel.com

Zenitel and its subsidiaries assume no responsibility for any errors that may appear in this publication, or for damages arising from the information therein. Zenitel products are developed and marketed by Zenitel. The company's Quality Assurance System is certified to meet the requirements in NS-EN ISO 9001. Zenitel reserves the right to modify designs and alter specifications without notice.

ZENITEL PROPRIETARY. This document and its supplementing elements, contain Zenitel or third party information which is proprietary and confidential. Any disclosure, copying, distribution or use is prohibited, if not otherwise explicitly agreed in writing with Zenitel. Any authorized reproduction, in part or in whole, must include this legend; Zenitel - All rights reserved.

SPECIFICATIONS

MECHANICAL

Dimensions (HxWxD):	144 x 96 x 41.5 mm
Weight:	500 g
Mounting:	Flush mount, in-console, desktop or on-wall (requires optional back box EMBR-1)
Color:	Black

ENVIRONMENTAL

Operating temperature:	-10 °C to +60 °C
Operating humidity:	10% to 95% (non-condensing)
Storage temperature:	-40°C to +70°C
Storage humidity:	10% to 95% (non-condensing)
Air pressure:	600 hPa to 1300 hPa
IP Rating:	IP-32

ELECTRICAL

PoE	2 x RJ45, Mode A (in-line) or Mode B (spare pair)
Nominal voltage:	According to IEEE 802.3af, class 0
Auxiliary DC power:	VNOM = 24 VDC, VMIN = 16 VDC, VMAX = 48 VDC
Power consumption:	PNOM ≤ 2 W (idle), PMAX = 8 W
Digital inputs/outputs	6 (configurable input/output/LED-driving)
Relay outputs	2 (250VAC/200VDC, 2A, 60W, 10^8 operations)

AUDIO INPUT

Pluggable microphone input	1 x balanced
Frequency response:	80 Hz – 19 kHz
Nominal input level:	1 mVRMS – 100 mVRMS
SNR:	> 80 dB
CMRR:	> 45 dB
Input impedance:	1 kΩ
Input range:	10 mVRMS – 1 VRMS

AUDIO OUTPUT

Output power:	1 Watt
Frequency response:	100 Hz to 19 kHz ±3 dB
SNR:	80 dB in test-modus, A-weighted
THD+N:	< 1% @ 1 kHz, 8 Ω load
Rated load resistance:	8 Ω

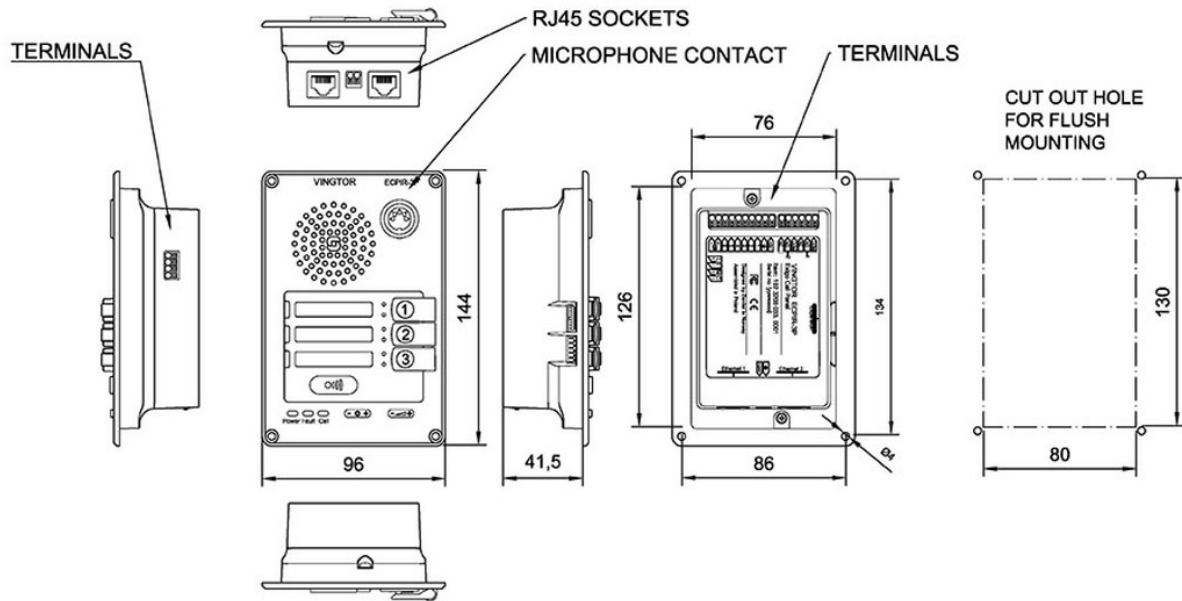
NETWORKING AND PROTOCOLS

Ethernet	2 x RJ45, 10BASE-TX, 100BASE-TX , Auto negotiation, Auto MDIX
Protocols	IPv4 (with DiffServ), SIP, TCP, UDP, HTTPS, TFTP, RTP, SRTP, DHCP, SNMP, Vingtor-Stentofon CCoIP® , NTP
LAN protocols	Power over Ethernet (IEEE 802.3 a-f) Network Access Control (IEEE 802.1x)
Management and operation	HTTP/HTTPS (Web configuration), DHCP and static IP + Vingtor-Stentofon Pulse™, Remote automatic software upgrade, Centralized monitoring
Advanced supervision functions	E.g. network test, tone test, status reports (only in AlphaCom)
SIP support	RFC 3261 (SIP base standard) RFC 3515 (SIP refer) RFC 2976 (SIP info), SIP using TLS, RFC 5630 SIPS URI scheme
DTMF support	RFC 2833, 2976 (SIP info)

CERTIFICATIONS

Immunity:	EN 60945, EN 50130-4, EN 61000-6-1, EN 61000-6-2, EN 55103-2, FCC-47 part 15B
Emissions:	EN 60945, EN 50130-4, EN 61000-6-3, EN 61000-6-4, EN 55103-1, FCC-47 part 15B
Safety:	UL 60950-1, cUL 60950-1, CB to IEC 60950-1

TECHNICAL DIMENSIONS



ACCESSORIES



PAM1H

Item number: 1023533012



MB-30G

Item number: 3005020033



EBMDR-8

Item number: 1023253008



EMBR-2

Item number: 1023595020



EMBR-1

Item number: 1023595010



EPIPR-6

Item number: 1023697006