

1023301310

ELSII-10H

Network Horn Loudspeaker, 10W, Ethernet



- Vingtor-Stentofon Audio Presence - crystal clear audio
- 10W Class D, built-in amplifier
- Dust and water tight – IP 67
- >116 dB SPL
- Ideal for Micro Zone PA and systems that require a limited number of speakers
- Each speaker is individually addressable and monitored
- Ideal for speakers installed in remote locations, e.g. roads and railways
- Remote software upgrade and configuration
- Relay output for remote control, e.g. doors, signal lamps, gates
- Powered from the IP network cable using Power over Ethernet (PoE)
- Ideal for Building Security, Infrastructure and Industrial projects

DESCRIPTION

This Vingtor-Stentofon IP speaker features a 10W Class D amplifier, utilizing all the power that PoE is capable of. This means that the speaker is capable of delivering more than 116dB, depending on the signal input. With IP, the system is able to monitor and address each speaker individually. By moving the amplifier from a central unit out to the speaker itself, the need for a central amplifier unit with conventional speaker loops is eliminated. This makes the system highly scalable, and adding another speaker is easy to do.

Even though conventional speaker loops are not used, the speakers can still be divided into groups. These zones can now extend over networks or span the Internet. To provide maximum availability, the speaker comes with advanced supervision functions. The speaker line test will detect whether there are any faults in the network or speaker electronics. The status of the speaker is reported to the central unit as well as to 3rd-party management systems using SNMP or Syslog.

The speaker has a built-in web interface for status information, control, and upgrade. It is easy to install and maintain, and all broadcasts can be logged in detailed reports.

SIP PBX – This VoIP intercom module can be used with basically any SIP server. Various server types have been tested explicitly by Vingtor-Stentofon and a proper functionality can be confirmed. Check with your Vingtor-Stentofon contact for the latest information on compatibility. ICX-AlphaCom Audio servers, IC-EDGE & SIP – Intercom for everyone. See also: [additional documentation on wiki.zenitel.com](#)

SPECIFICATIONS

GENERAL

Rated Impedance (speaker driver)	8 Ohm
Rated power (speaker driver)	15W
Max. power (speaker driver)	20W
Max. sound pressure level at 1 meter	116 dB
Effective frequency range (speaker driver)	330-8000 Hz
Dispersion (-6dB) 1kHz / 4kHz	140° / 40°
Directivity factor, Q	1,8
Codecs	G.711, G.722
Frequency range, G.722 Codec	200 Hz – 7000 Hz
Internal speaker amplifier	10 W class D
Mounting	Bracket (included)
Weight	1.8 kg / 4 lbs
Material / Color	ASA (plastic) / RAL 7035 (light grey)
Electronics cover material	ASA (plastic)
Gasket material	Silicone rubber
IP Grade	IP-67, tested according to EN 60529

ENVIRONMENT AND COMPLIANCES

Operating temperature range	-40° to 70° C / -40° to 158 ° F
Storage temperature range	-40° to 70° C / -40° to 158 ° F
Relative humidity	< 95% not condensing
EMC	CE and FCC Part 15

HARDWARE

Ethernet connector	1 x RJ 45
All other connectors	Tool less, spring loaded, vibration proof terminals
General inputs and outputs	6 (configurable)
Outputs	12mA as LED drivers
Change-over relay (NO+NC+COM)	Max: 250VAC/220VDC, 2A, 60W
Power options	PoE and or external power supply
PoE (power over Ethernet)	IEEE 802.3af standard, Class 0 (0.44W to 12.95 W)
External power supply	24 VDC (16 – 48 V)
Power consumption	Idle 1.8W, max 12W (depending on volume)
Audio line out / induction loop signal	600 Ohm

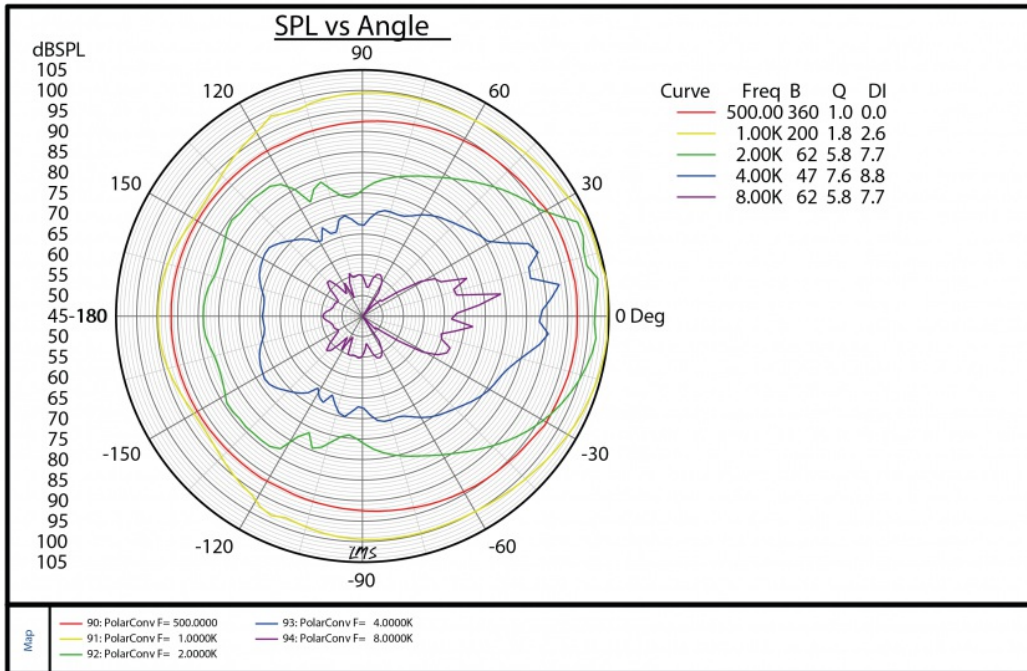
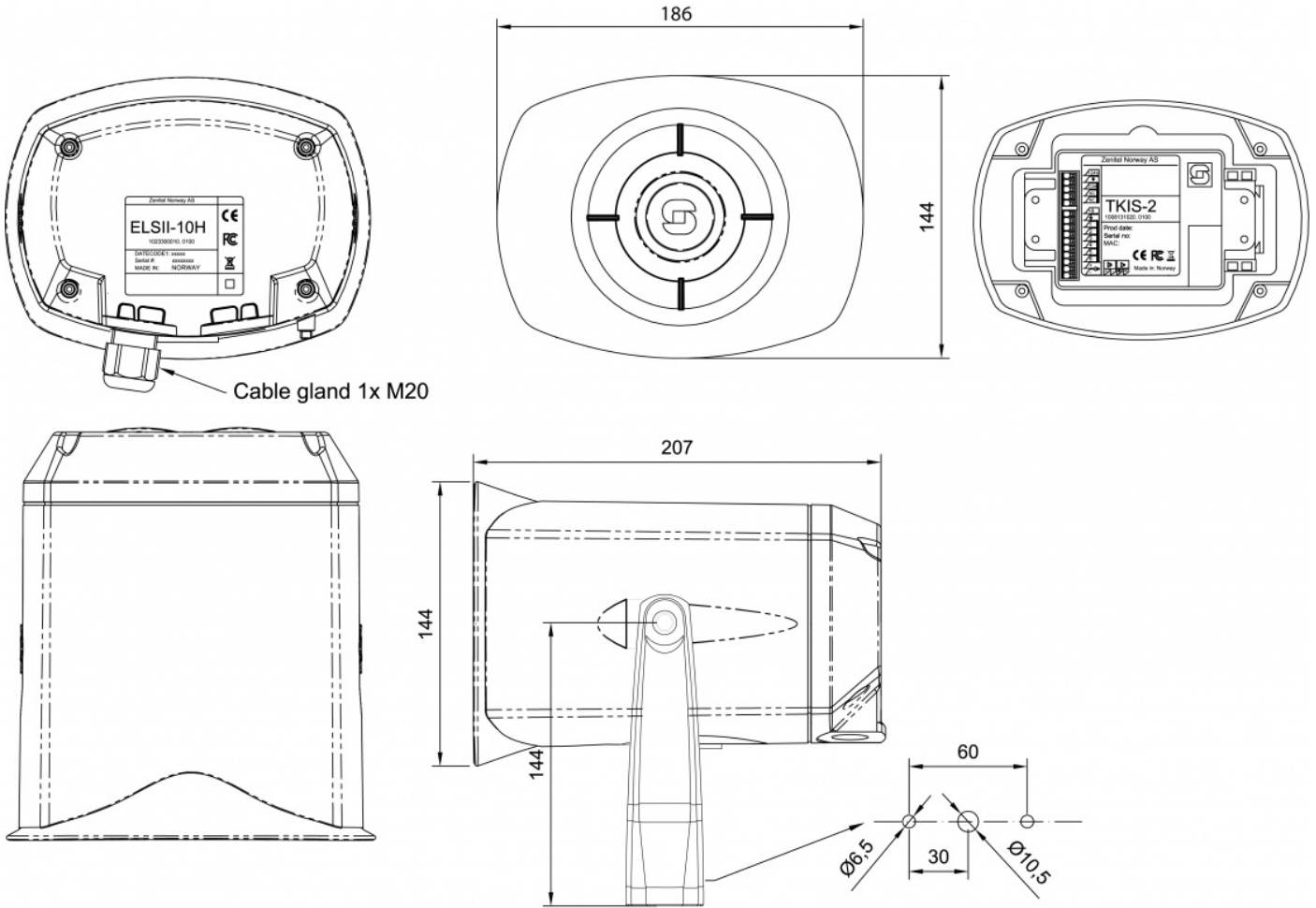
NETWORKING AND PROTOCOLS

Protocols	IPv4 (with DiffServ), SIP, TCP, UDP, Unicast, Multicast, HTTPS, TFTP, RTP, DHCP, SNMPv2c, STENTOFON CCoIP®, NTP
LAN protocols	Power over Ethernet (IEEE 802.3 a-f) Network Access Control (IEEE 802.1x)
Management and operation	HTTP/HTTPS (Web configuration) DHCP and static IP + STENTOFON Pulse™. Remote automatic software upgrade. Centralized monitoring
Advanced supervision functions	E.g. network test, tone test, status reports
SIP support	RFC 3261 (SIP base standard), RFC 3515 (SIP refer), RFC 2976 (SIP info)
DTMF support	RFC 2833, 2976 (SIP info)

OTHER SPECIFICATIONS

IP address information	Speaks IP address after system boot
Country of manufacture	Norway
Dimensions (HxWxD)	144 x 186 x 207 mm
Weight	1.8 kg / 4 lbs
Encapsulation material	ASA plastic
DIN-rail clips	Wago 209 (included)

TECHNICAL DIMENSIONS



ACCESSORIES



EMCG-1

Item number: 1023303010