

4000016482

HP-6C

Horn Loudspeaker 6W



Onboard communication



IP67

DESCRIPTION

- General purpose 6W horn loudspeaker available in both low ohmic and 100V versions
- Especially suitable for use in industrial sites or tough environments

SPECIFICATIONS

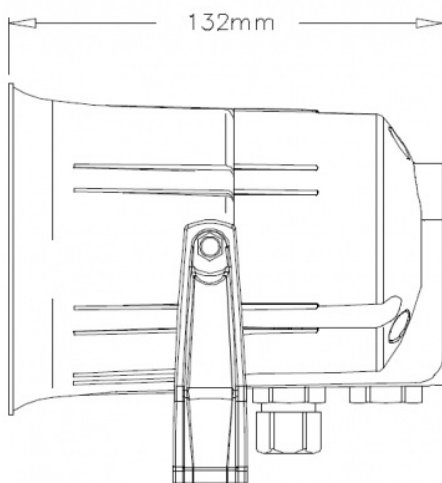
GENERAL

Material / Color	Polyamide / RAL 7035
Dimensions	Ø97 x 132D mm
Mounting	Bracket
Termination	Internal screw terminals
Weight	0.7 kg
Rated / Max power	6 W / 10 W
SPL 1W / 1 m	100 dB
SPL rated power	107 dB
Effective frequency range	300 - 20000 Hz
Dispersion (-6dB) 1kHz / 4kHz	178° / 62°
IP-rating	67
Max. / min. ambient temperature	110°C / -40°C

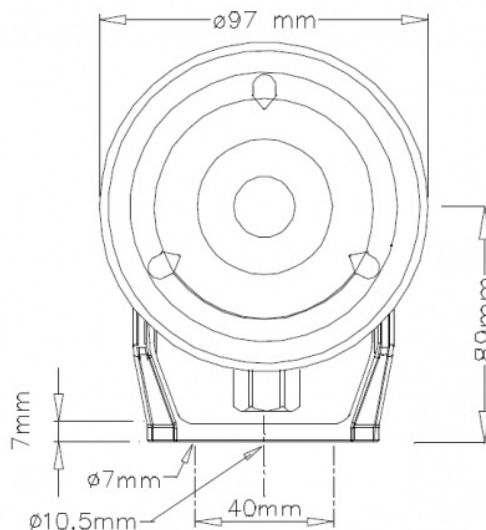
PRODUCT VARIANTS

4000014076	HP-6CT Mini Horn Loudspeaker, 6W, 100V, IP67
4000015023	HP-6C/8 Mini Horn Loudspeaker, 6W, 8 Ohm, IP67
4000015280	HP-6CTF Mini Horn Loudspeaker, 6W, 100V, IP67 with fuse
4000016482	HP-6C/20 Mini Horn Loudspeaker, 6W, 20 Ohm, IP67
3006100064	HP-6CT Mini Horn Loudspeaker, 6W, 100V, IP67 w/0,5m cable

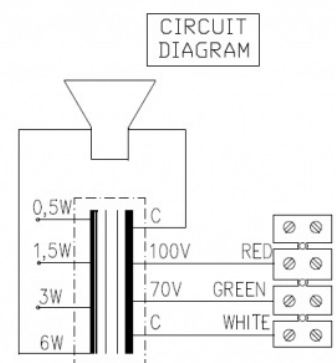
TECHNICAL DIMENSIONS



1xM20 cable gland
1xM20 blanking plug
cable diameter
6 – 12mm



All outside nuts and
screws in stainless steel



100V transformer Secondary nominal tapings	
C : 6W	6,0 W
C : 3W	3,0 W
C : 1,5W	1,5 W
C : 0,5W	0,5 W