

2310111116

## HT ZB2X SeaHawk Zoom Bullet

SeaHawk Zoom Bullet (20x Zoom), IP Camera



 ONVIF Conformant

 Onboard communication

 IP66

 IP67

 H.264

- PoE - Power over Ethernet
- Stream compression H265/H264
- Motion Detection
- No sharp edges
- Designed to meet IEC60945
- IP66/IP67
- Mounting Options: Ceiling/Wall
- Day/night mode
- Infrared LEDs 10 pcs
- 20x Zoom

### DESCRIPTION

The new HATTELAND® SeaHawk range of network enabled Security & Surveillance Cameras suitable for Security applications (person / area) and Industrial applications (process monitoring).

HATTELAND® SeaHawk Zoom Bullet IP Camera is the perfect IP camera solution with full HD resolution at 30fps. The camera housing is constructed in sturdy POM material. 20x Zoom, PoE - Power over Ethernet, Stream compression H265/H264, Motion Detection, No sharp edges.

Available models:

- HT ZB2X AA-X1 SeaHawk ZoomBullet 20x POM Black RAL TBD

# SPECIFICATIONS

## TECHNICAL SPECIFICATIONS:

Image Sensor	1/2.8" Progressive Scan CMOS
Lens Type	Auto DC Iris, Zoom, IR cut filter
Zoom	20 x (optical, motorized)
Focal Length	f=4.8mm ~ 57.6mm
Maximum Aperture Ratio	F2.2 (wide) ~ 2.3 (tele)
Angle of View	Wide: H: 64.2°, V: 37.5° // Tele: H: 5.9°, V: 3.3°
Electronic Shutter View	1 ~ 1/30 sec (B/W), 1/24 ~ 1/1000 sec (color)
Flip Mode	Horizontal, Vertical
Image Enhancement	AGC, AWB, AE, TDN, DSS, BLC, WDR

## VIDEO SPECIFICATIONS:

Compression	H265 / H264 / MJPEG
Frame Rate	Max 30fps @ 1920 x 1080
Bitrate	Primary: 32Kbps ~ 16Mbps // Secondary: 32Kbps ~ 4Mbps
Resolutions	352 x 240 ~ 1920 x 1080
Streaming	Primary: H265 / H264 // Secondary: H265 / H264 / MJPEG
Burn-in OSD	Multi-lingual

## NETWORK SPECIFICATIONS:

Interface	1 x Ethernet 10/100base-T (RJ-45)
Protocol	IPv4/v6, TCP, UDP, IGMP (MULTICAST), ICMP, DHCP, HTTP, HTTPS, RTP, RTSP, FTP, SNMP, UPnP, WS-Discovery, Zero-configuration, NTP, DDNS
Security	Password protection, IP address filtering, HTTPS encryption
API	ONVIF, PSIA, MPEG-TS

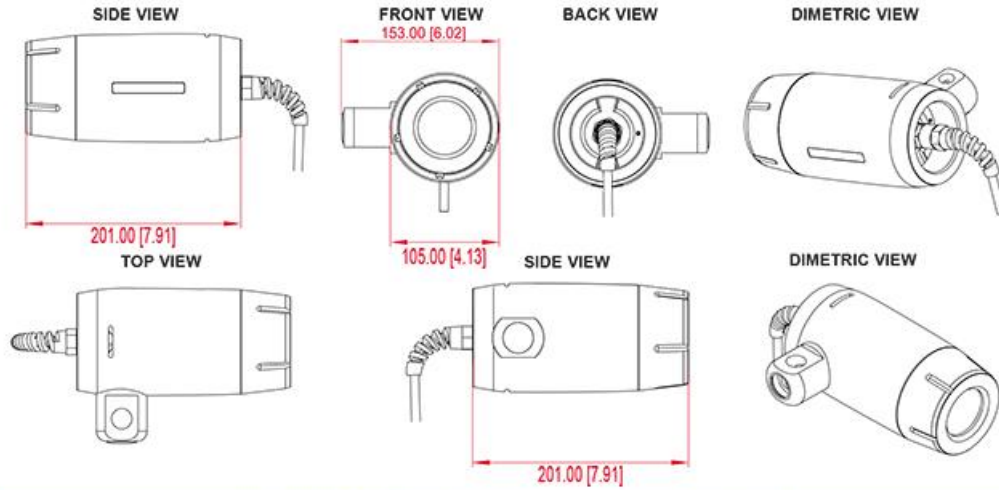
## EVENT AND GENERAL SPECIFICATIONS:

Event Sources	Motion, Sensor Input, Client disconnection
Event Actions	Notification (E-mail), FTP, Alarm control, Recording
Housing	POM (Polyoxymetylen), RAL 5012 (ring)
Certification	Designed to meet IEC60945, IP66/IP67
Power Supply	PoE: 802.3af via RJ-45
Power Consumption	12W (max)
Operating Temperature	-40°C to +65°C

## PHYSICAL SPECIFICATIONS:

Dimensions	W:153.00 [6.02"] x H:105.00 [4.13"] x D:201.00 [7.91"] mm [inch]
Weight	2.0kg / 4.41lbs
Pigtail Cable	2.5 [8.20] m [ft], Cat5e STP, RJ-45 terminated

# TECHNICAL DIMENSIONS



**With HT MB11-AA Note: Variant of model illustration shown below**

