

1007083000

## Industrial Substation

Heavy Duty



Industrial Intercom



### DESCRIPTION

- Programmable call button, simplex and cancel buttons
- Rugged waterproof and dustproof casing in orange aluminium alloy
- Noise cancelling dynamic microphone along with red microphone live lamp
- Built-in loudspeaker and possibility to connect an external loudspeaker. Sound level adjustable with a potentiometer inside the station
- Built-in 10W (8 Ohm) VOX operated power amplifier for external loudspeaker
- Screw terminals for easy connection of installation cables
- Freely programmable extension number

This Heavy Duty Industrial Substation is a waterproof model designed for humid, dirty and outdoor conditions. The station consists of a rugged waterproof and dustproof casing of orange silumin. The front panel is hinged to the back casing to allow easy access during installation and service. The station has screw terminals with labels and the three glands give waterproof and dustproof connection of installation cable and loudspeaker wires.

The station is equipped with a noise cancelling microphone as well as a 20 Ohm loudspeaker. The volume is adjustable with a potentiometer located inside the casing. An external 20-70 Ohm speaker can be connected or, alternatively, connect an 8-20 Ohm speaker for use with the built-in 10 W (8 Ohm) VO X operated power amplifier. The power amplifier requires a separate 12 VAC / 2 A power supply. The external speaker must be placed at least one meter away from the station. The station is programmable for permanent private mode and is also prepared for connection of an external handset unit.

## SPECIFICATIONS

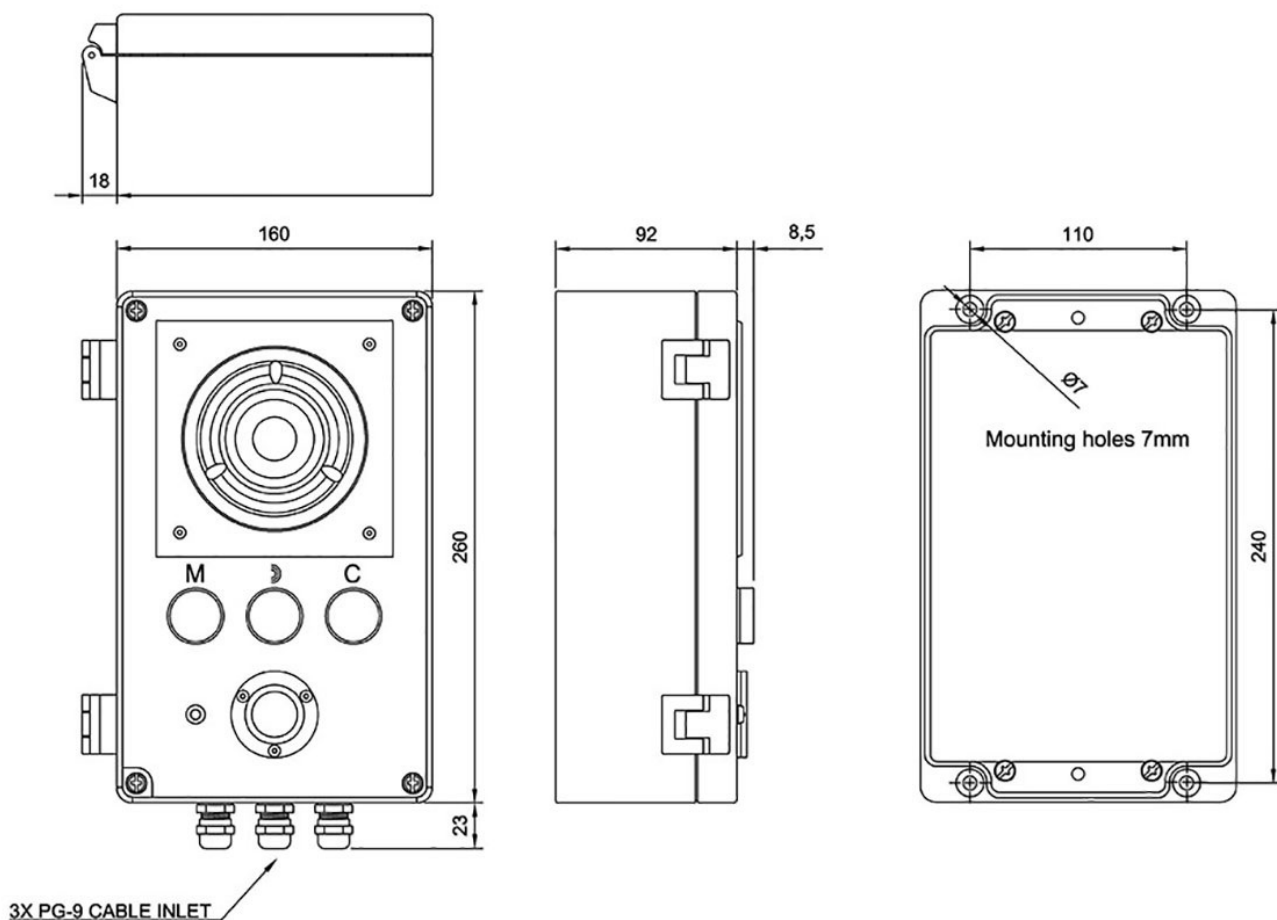
### MECHANICAL

Operating voltage	From exchange without power
Amp.	12 VAC / 2 Amp. with power Amp.
Cable requirements	2 pair 0.5 mm $\varnothing$ / 24 AWG twisted telephone cable. + 1 pair. 0.8 mm $\varnothing$ / 20 AWG (to transformer if power amplifier is used)
Temperature	-40oC to +55oC
Relative humidity	0% - 95 %
Dimensions (W X H X D)	160 mm x 260 mm x 92 mm, 6.24" x 10.14" x 3.59"
Classifications	IP-65
Finish	Silumin (aluminium alloy), Orange RAL 2004 paint
Sound pressure at 1 m from internal speaker	72 dB (0.5 mm cable x 100 m, 8.0V on subscriber board, 1 kHz)
Max. loudspeaker output - external speaker	1.5W (20 Ohm), 10W (8 Ohm) w/power amplifier

### AUDIO

Loudspeaker impedance	20 ohm (internal speaker), 20-70 Ohm external (without power amp.), 8-20 Ohm external (with power amp.)
Frequency range	500 - 5000 Hz (+/- 8 dB)
Mic. impedance for external handset	200 - 600 ohm
Connector type	Screw terminals
Gland diameter	3 x PG9
Indicator	LED (red)

## TECHNICAL DIMENSIONS



## ACCESSORIES



**VMP-36-PEL**

Item Number: 1020600750



**VMP-36-PELP**

Item Number: 3006202029



**CD-7-VMP**

Item Number: 3006202007



**VMP-211**

Item Number: 3006202024



**VMP-250**

Item Number: 1020600700



**VML-1520**

Item Number: 3006100088



**EHS-240**

Item Number: 3006102041



**EHS-2200**

Item Number: 3006102036



**MODEL-A**

Item Number: 3005000029



**IRR-3**

Item Number: 1020600992