

1008042100

IP Vandal Resistant Substation - 2 Buttons



Prison Intercom



DESCRIPTION

- Compatible with AlphaCom, IC-EDGE and iPBXs (SIP)
- Designed to deliver CCoIP® - Critical Communication over IP
- Vandal and water resistant
- Designed in stainless steel (A316L) to withstand corrosion
- Remote software upgrade, configuration and monitoring
- Integrated data switch with advanced networking and security functions
- Relay output for remote control, e.g. doors, signal lamps and gates
- Powered from the IP network cable using Power over Ethernet (PoE)
- Superb audio quality – high bandwidth codec, active noise cancellation, acoustic echo cancellation and high output power amplifier

The Vandal Resistant IP Substation is tough, durable and resilient, and designed for use in the harshest of environments. The station is typically used as a communication, information or emergency point and connects directly to the IP network making it easy to deploy – anywhere and at any distance.

The IP station supports open standards and is compatible with AlphaCom, IC-EDGE and iPBXs using SIP technology. When working in AlphaCom mode, the IP station supports special services only available using the CCoIP protocol, AlphaCom server. Examples of services are emergency broadcast with volume override, CCTV integration, call priority, and AlphaNet multisite networking and event scripting.

Like all Vingtor-Stentofon stations, this IP substation features superb audio quality. This is enabled through a set of advanced technologies such as active noise filtering, acoustic echo cancellation, wide band audio codec, and high power audio outputs.

The station has one relay and one logical output. These outputs can, for instance, be used to open a door through a connected relay. The IP substation has an integrated managed data switch providing advanced networking and security features. The integrated switch provides support for:

- Protection from unwanted access
- Quality of Service (QoS) by managing data traffic
- Increased system availability through redundant LAN infrastructure
- Cost efficient installation by providing shared network connections

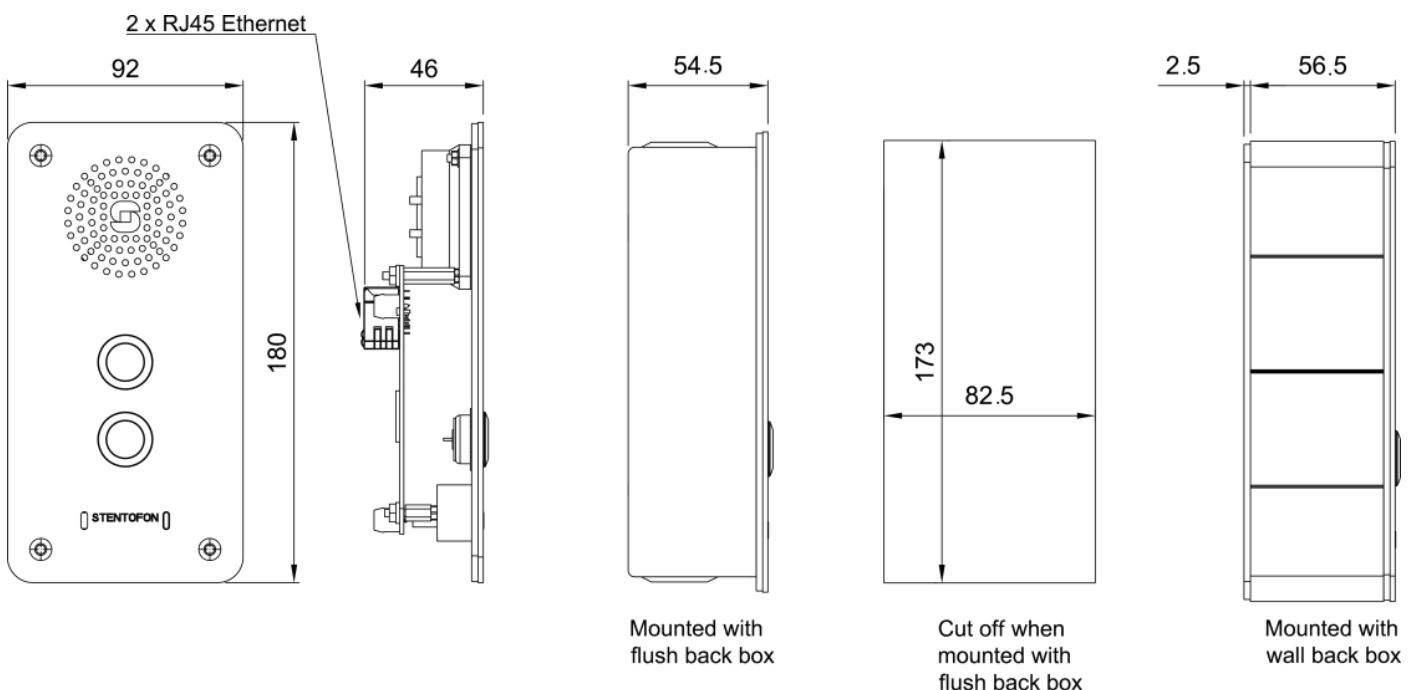
To provide maximum availability the station comes with advanced supervision functions. The station line test will detect if there is any faults in the network or station electronics. In addition the station supports tone test, testing the complete transmission path including microphone and speaker. The status of the stations is reported to AlphaWeb as well as to 3rd party management systems using SNMP, Syslog or OPC.

SPECIFICATIONS

GENERAL

Dimensions (HxWxD)	180 x 92 x 46 mm
Weight	0.8 kg
Protection	Vandal resistant design, 2 mm stainless steel front, tamper proof loudspeaker grill, button and fastening screws
Protection class	With mounting box 1008098000 (on wall): IP-44, With mounting box 1008098100 (flush mount): IP-55
Mounting	Flush mount in 50 mm deep back box
Temperature	-40°C to +55°C
Relative humidity	0% - 95%
Power	Power over Ethernet, IEEE 802.3 a-f, Class 0, Local power 19 – 27 VDC, Idle 4W, max. 8W
Connectors	2 x RJ45 (Ethernet) 10/100 Mbps, Pluggable screw terminals (audio and IO)
Remote control	3 digital inputs, 1 relay output and one logical output
Max. switching capacity	30W DC
Max. voltage relay	60V DC
Max current relay	1A DC
SIP	RFC 3261, SIP Info (DTMF), RFC 2833 (DTMF)
IP protocols	IP v4 - TCP - UDP - HTTPS – TFTP - RTP - RTCP -DHCP - SNMP -DiffServ - TOS – Vingtor-Stentofon CCoIP® - SIP
LAN protocols	Power over Ethernet (IEEE 802.3 a-f), VLAN (IEEE 802.1pq), Network Access Control (IEEE 802.1x), STP (IEEE 802.1d), RSTP (IEEE 802.1d-2004)
Audio technology	Wideband 200 Hz - 7 kHz (G.722), Telephony 3.4kHz (G.711), Active noise filtering, Acoustic echo cancellation, Open duplex, Adaptive jitter filter, 1.5 Watt audio output, 8 ohm loudspeaker impedance, External audio out (0dB, 600 ohm)
Management and operation	HTTPS (Web configuration), DHCP and static IP, Remote automatic software upgrade, Centralized monitoring, Status LED
Advanced features	Dual port managed data switch supporting VLAN and network access control
Compliance	CE and FCC Part 15

TECHNICAL DIMENSIONS



Flush mount back box 1008098100
On wall back box 1008098000

ACCESSORIES



FLUSH MOUNT BACK BOX

Item number: 1008098100



ON WALL BACK BOX

Item number: 1008098000