

4000016469

ITCS-C2

Hospital Calling Unit



DESCRIPTION

- Push button "CALL" for calling
- Call is indicated by red LE diode (it lights until call is accepted and completely reset)
- Bulkhead mounting (flush on request)

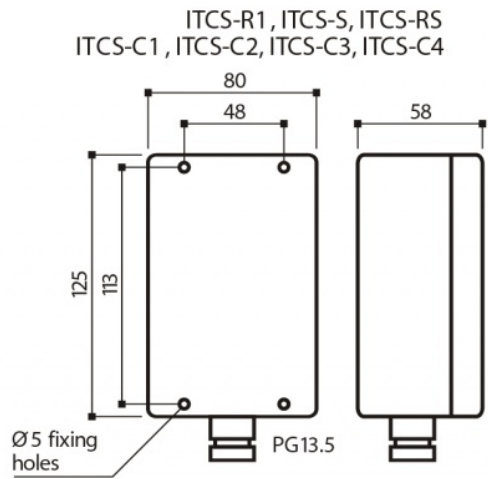
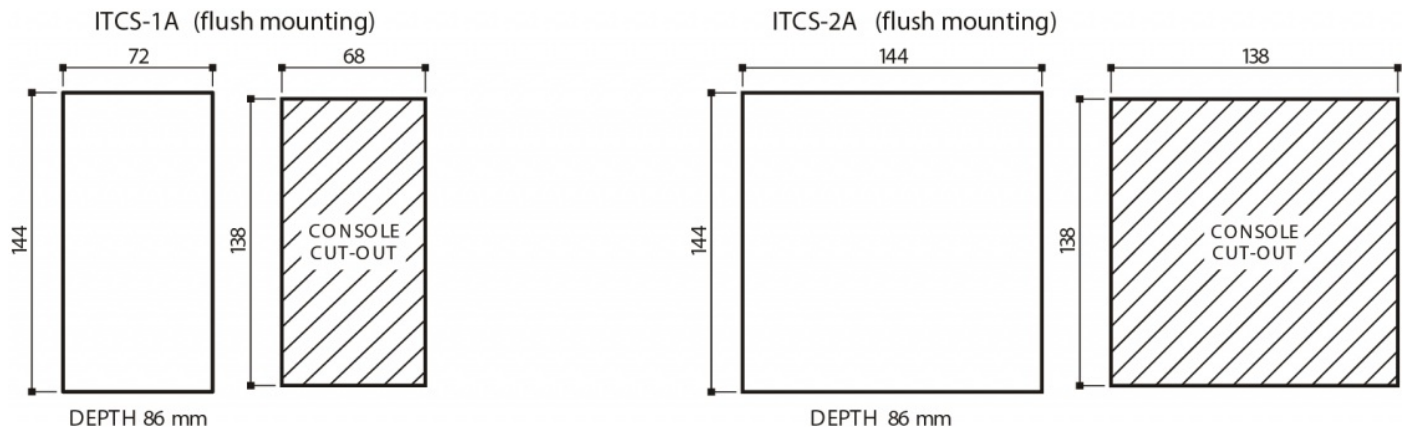
Calling Unit used in ITCS-A calling system.

SPECIFICATIONS

MECHANICAL

Dimensions (WxHxD)	80x125x58 mm
Weight	0.2 kg

TECHNICAL DIMENSIONS



All dimensions in mm

USED WITH



4000018413

ITCS-RS

Reset Unit