

1490000010

SDS-1

SIP Desk Station with display and dual LAN



IC-EDGE IC-Edge



ICX-AlphaCom

- 2 lines, 2 SIP accounts, 3-way conferencing
- Integrated PoE
- Dual-switched 10/100Mbps ports
- TLS and SRTP
- HD Audio
- EHS Support
- ICX-AlphaCom Support

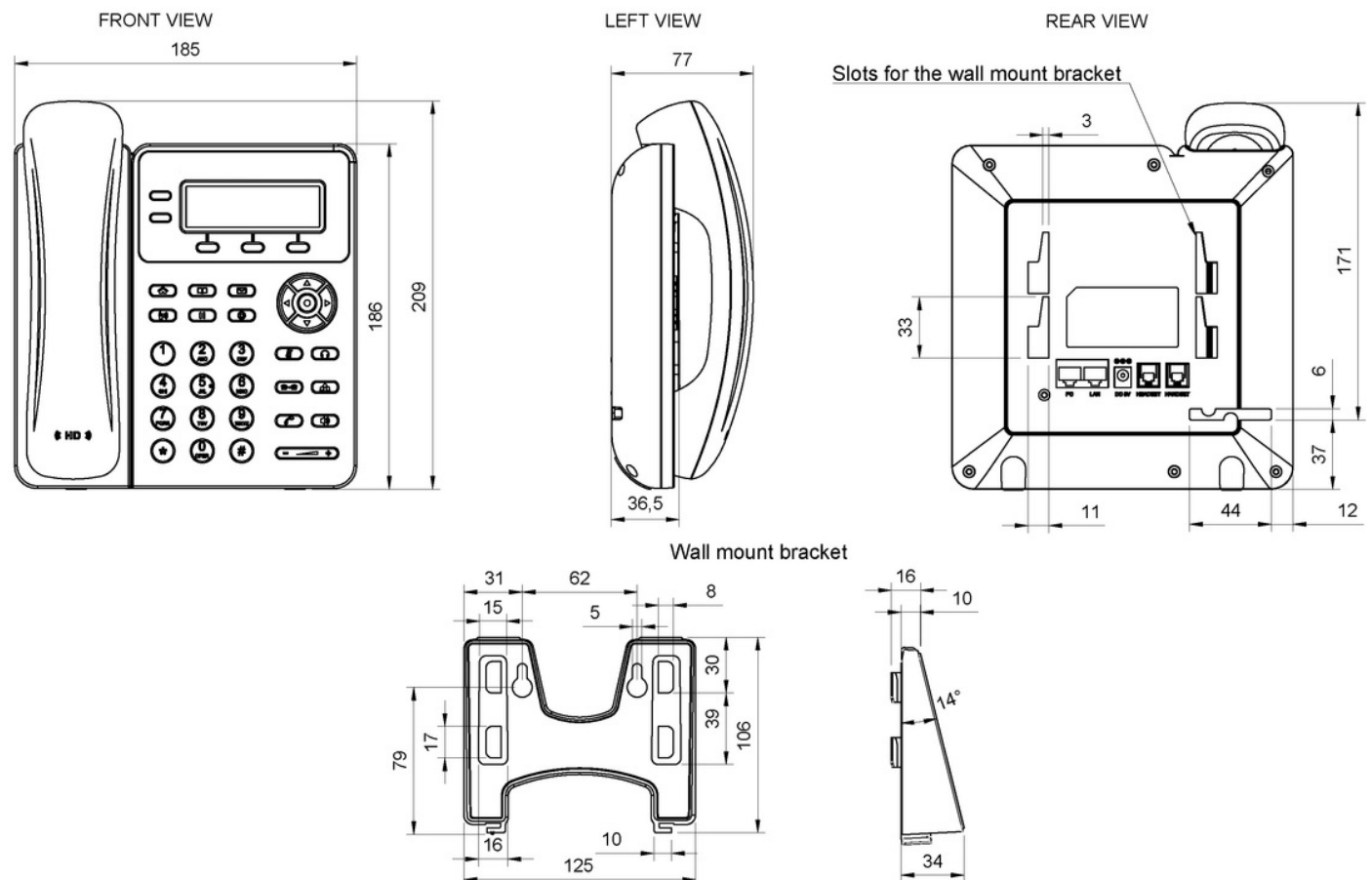
DESCRIPTION

A reliable IP phone for small business users, the SDS-1 delivers a suite of powerful VoIP features, supports for up to 2 lines and full HD audio on both the speaker and handset to allow users to communicate with the utmost clarity and built-in PoE. These features allow the SDS-1 to be a high-quality and easy-to-use small business IP phone.

SPECIFICATIONS

Dimension	184.5mm (W) x 209mm (L) x 76.2mm (H) with handset
Weight	0.73 kg
Power over Ethernet	IEEE 802.3af, Class 2, 3.84W-6.49W
Protocols/Standards	SIP RFC3261, TCP/IP/UDP, RTP/RTCP, HTTP/HTTPS, ARP/RARP, ICMP, DNS (A record, SRV, NAPTR), DHCP, PPPoE, SSH, TFTP, NTP, STUN, SIMPLE, LLDP-MED, LDAP, TR-069, 802.1x, TLS, SRTP
Network Interfaces	Dual switched auto-sensing 10/100 Mbps Ethernet ports, integrated PoE
Graphic Display	132 x 48 (2.95") backlit graphical LCD display
Feature Keys	2 line keys with dual-color LED and 2 SIP accounts, 3 XML programmable context sensitive soft keys, 5 (navigation, menu) keys. 13 dedicated function keys for MUTE, HEADSET, TRANSFER, CONFERENCE, SEND and REDIAL, SPEAKERPHONE, VOLUME, PHONEBOOK, MESSAGE, HOLD, PAGE/INTERCOM, RECORD, HOME
Voice Codecs	Support for G.711μ/a, G.722 (wide-band), G.723, G.726-32, G.729 A/B, iLBC, inband and out-of-band DTMF (In audio, RFC2833, SIP INFO), VAD, CNG, AEC, PLC, AJB, AGC
Telephony Features	Hold, transfer, forward (unconditional/no-answer/busy), 3-way conferencing, call park/pickup, shared-call appearance (SCA) / bridged-line-appearance (BLA), Downloadable phone book (XML, LDAP, up to 500 items), call waiting, call history (up to 200 records), off-hook auto dial, auto answer, click-to-dial, flexible dial plan, hot desking, personalized music ringtones, server redundancy & fail-over
HD audio	HD handset and speakerphone with support for wideband audio
Headset Jack	RJ9 headset jack (allowing EHS)
QoS	Layer 2 QoS (802.1Q, 802.1P) and Layer 3 (ToS, DiffServ, MPLS) QoS
Security	User and administrator level passwords, MD5 and MD5-sess based authentication, 256-bit AES encrypted configuration file, SRTP, TLS, 802.1x media access control, Kensington Security Slot (Kensington Lock) support
Relative Humidity	10% to 90% Non-condensing
Temperature	Operation: 0°C to 40°C / Storage: -10°C to 60°C
Compliance	FCC: Part 15 (CFR 47) Class B CE : EN55022 Class B, EN55024, EN61000-3-2, EN61000-3-3, EN60950-1 RCM: AS/ACIF S004; AS/NZS CISPR22/24; AS/NZS 60950; AS/NZS 60950.1

TECHNICAL DIMENSIONS



Created: 27.07.2020, updated: 21.11.2022

page 2/3

www.zenitel.com

info@zenitel.com

Zenitel and its subsidiaries assume no responsibility for any errors that may appear in this publication, or for damages arising from the information therein. Zenitel products are developed and marketed by Zenitel. The company's Quality Assurance System is certified to meet the requirements in NS-EN ISO 9001. Zenitel reserves the right to modify designs and alter specifications without notice.

ZENITEL PROPRIETARY. This document and its supplementing elements, contain Zenitel or third party information which is proprietary and confidential. Any disclosure, copying, distribution or use is prohibited, if not otherwise explicitly agreed in writing with Zenitel. Any authorized reproduction, in part or in whole, must include this legend; Zenitel - All rights reserved.

