

1008133020

## TKIA-2

Analog over IP Gateway



### DESCRIPTION

- Extends the analog interface on TKIS-2 up to 60 meters.
- Keeps your IP network port in protected area.
- Uses a standard CAT5 or CAT6 Ethernet cable to connect to TCIA-2 Analog over IP intercom.
- Combines the network security of an analog intercom with the audio features of an IP intercom.
- Includes cable for connection to TKIS-2
- Used together with TKIS-2 and TCIA-2

# SPECIFICATIONS

## HARDWARE

Connection to TCIA-2	1 x RJ45
Connection to TKIS-2	Tool-less, spring-loaded, vibration-proof terminals.

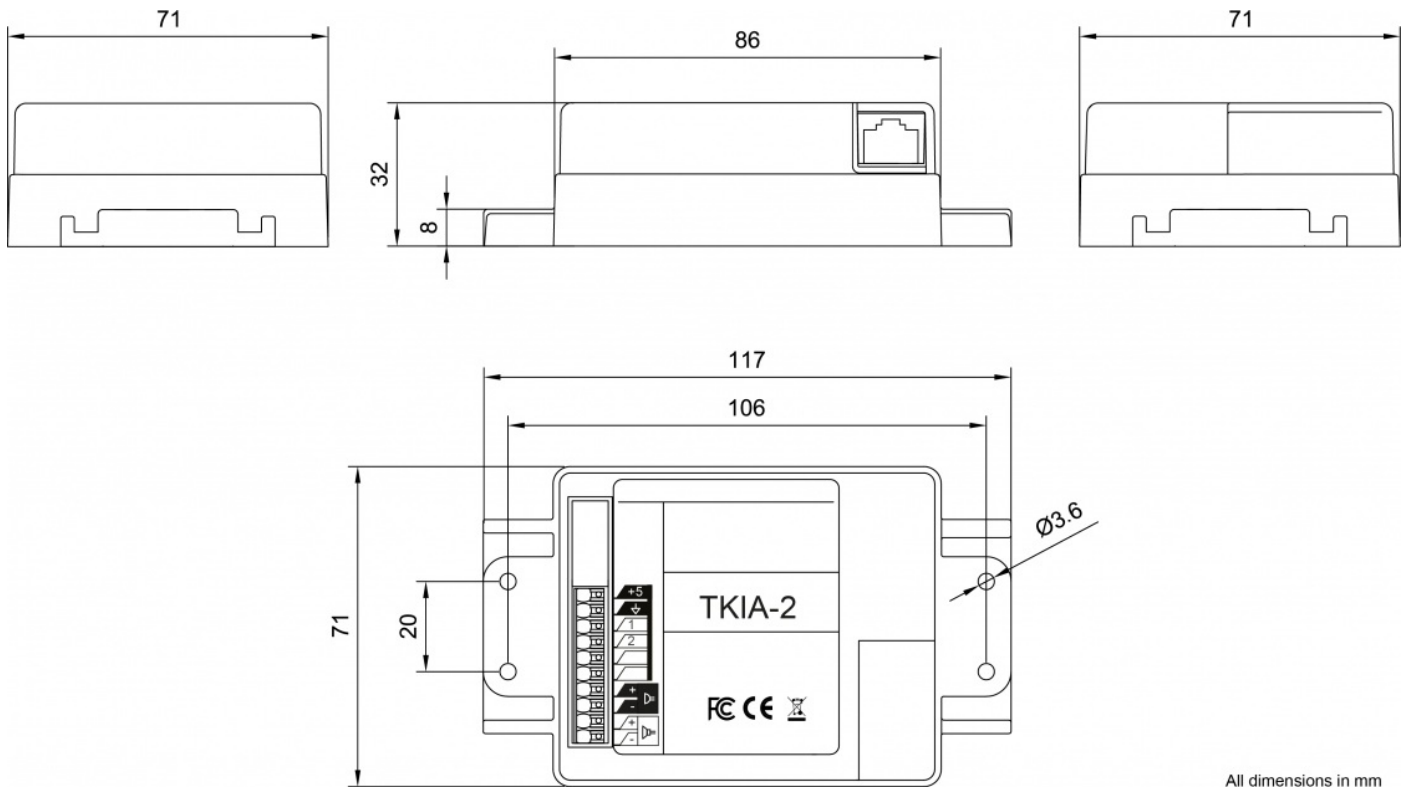
## OTHER SPECIFICATIONS

Dimensions (HxWxD)	71 x 86 x 32 mm
Weight	0.1 kg / 0.2 lbs
Encapsulation material	ASA plastic
DIN-rail clips	Wago 209 (included)

## ENVIRONMENT AND COMPLIANCES

Operating temperature range	-40° to 70° C / -40° to 158 ° F
Storage temperature range	-40° to 70° C / -40° to 158 ° F
Relative humidity	< 95% not condensing
EMC	CE and FCC Part 15

## TECHNICAL DIMENSIONS



All dimensions in mm

## USED WITH



1008131020

**TKIS-2**  
VoIP Intercom Module

1008113020

Created: 16.01.2017, updated: 30.09.2022

page 2/3

[www.zenitel.com](http://www.zenitel.com)

[info@zenitel.com](mailto:info@zenitel.com)

Zenitel and its subsidiaries assume no responsibility for any errors that may appear in this publication, or for damages arising from the information therein. Zenitel products are developed and marketed by Zenitel. The company's Quality Assurance System is certified to meet the requirements in NS-EN ISO 9001. Zenitel reserves the right to modify designs and alter specifications without notice.

ZENITEL PROPRIETARY. This document and its supplementing elements, contain Zenitel or third party information which is proprietary and confidential. Any disclosure, copying, distribution or use is prohibited, if not otherwise explicitly agreed in writing with Zenitel. Any authorized reproduction, in part or in whole, must include this legend; Zenitel - All rights reserved.

**TCIA-2**  
Analog over IP Intercom



1008113120

**TCIA-2-P**

Package with TCIA-2,TKIA-2,TKIS-2