

1020600910

## VSP-122

Main Station



### DESCRIPTION

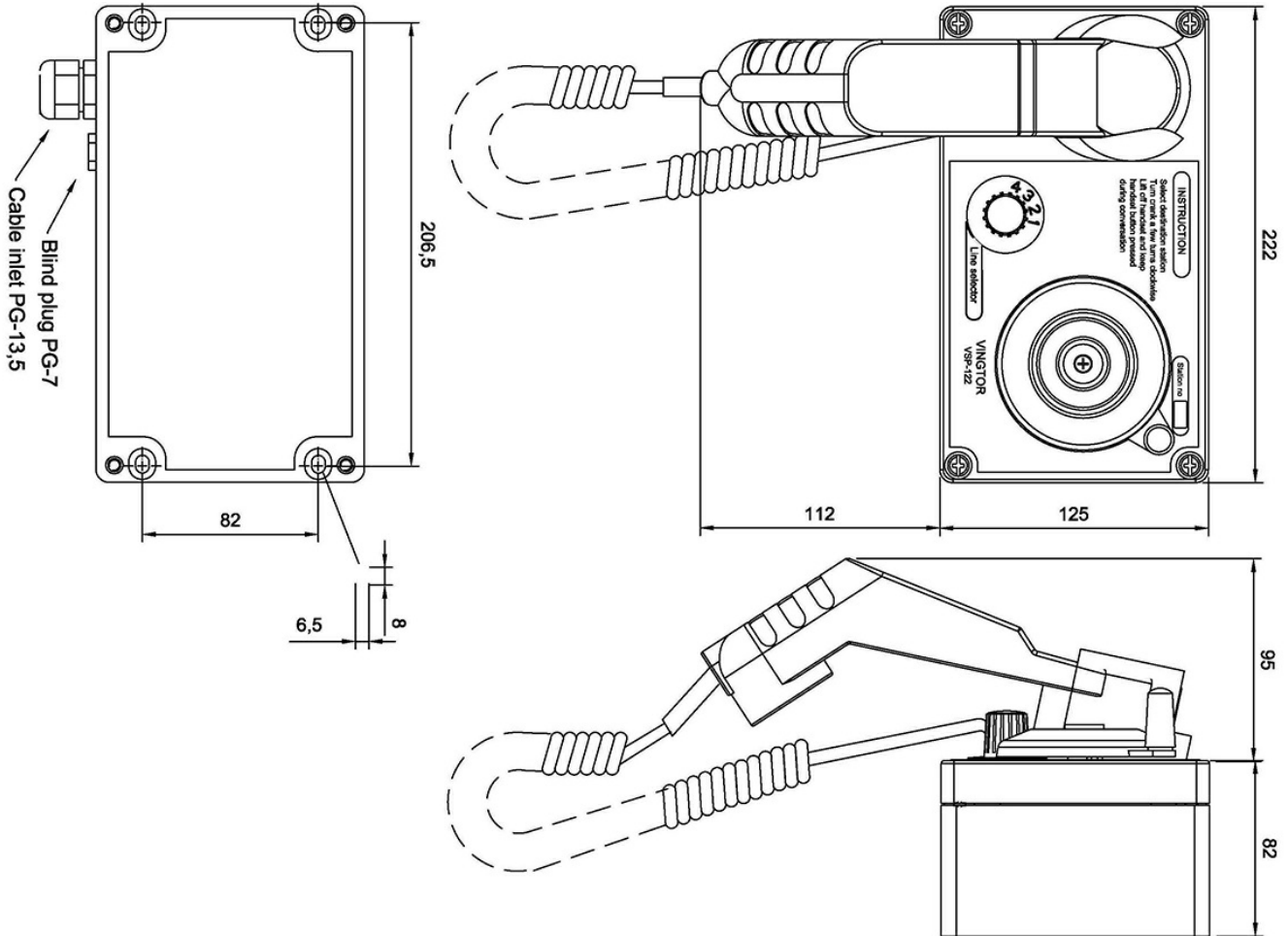
- Wall mounting
- 12 extensions selector
- With watertight housing
- For use in bridge wings and open deck areas

### SPECIFICATIONS

#### GENERAL

|                             |                                   |
|-----------------------------|-----------------------------------|
| Connections                 | Screw terminals                   |
| Housing                     | ROSE Box (AlSi12)                 |
| Handset                     | RA-250 w/ holder                  |
| Colour                      | Grey RAL7001 / Handset black      |
| IP rating                   | IP-66                             |
| Operating temperature range | -25°C to 55°C                     |
| Cable inlet                 | 1x PG-13.5                        |
| Weight                      | 2.0 kg                            |
| Dimensions (WxHxD)          | 220 x 220 x 185 mm (with handset) |

## TECHNICAL DIMENSIONS



## ACCESSORIES



**VSP-36-PEL**

Item number: 1020600751



**VSP-36-PELP**

Item number: 1020600761



**IRR-24**

Item number: 3006202045



**IRR-VSP-220**

Item number: 1020600995