

3006200025

## VSP-211M-L

Main Station - Batteryless Telephone System 20-Way



### DESCRIPTION

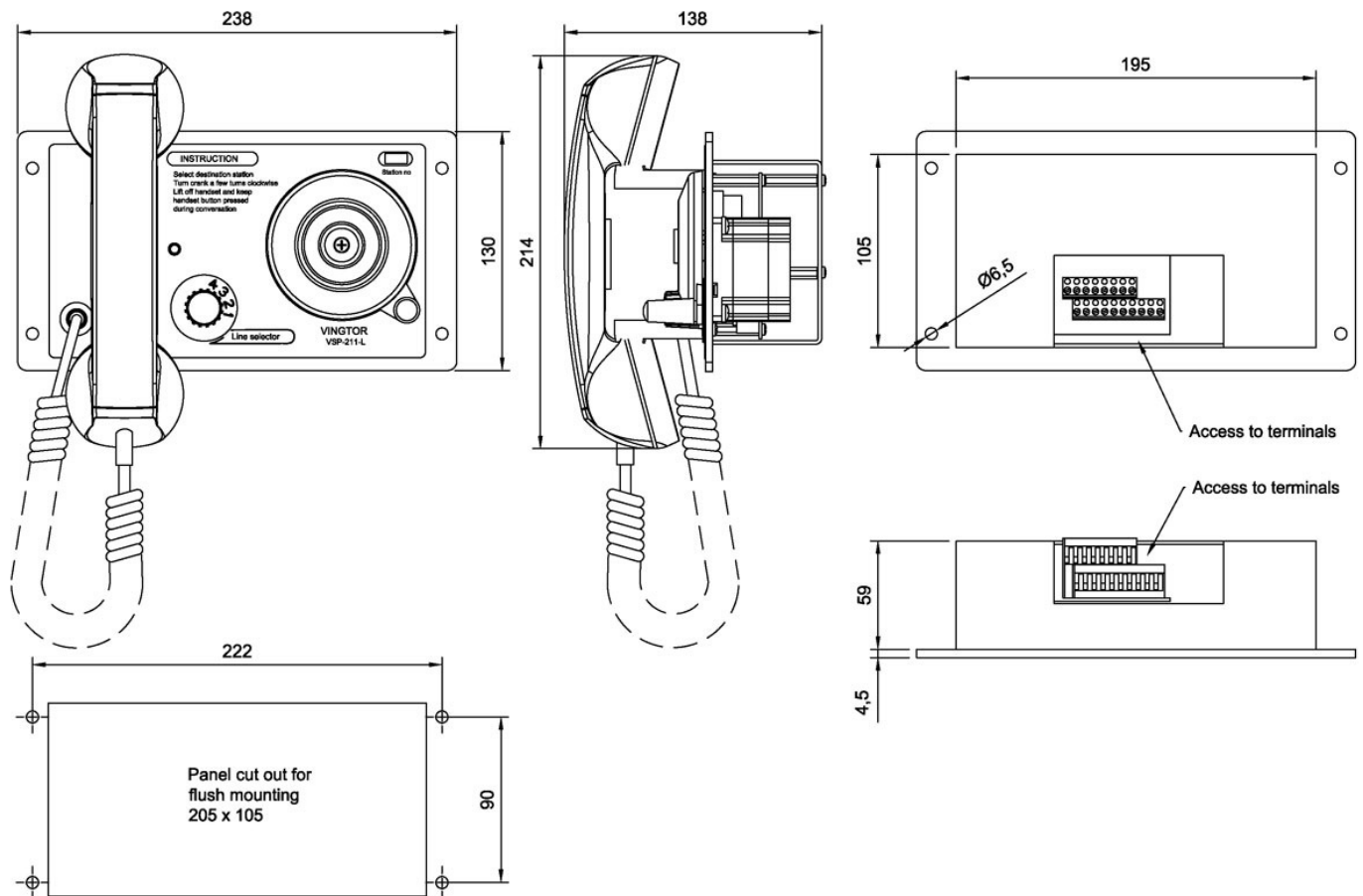
- 20 extension system
- 2 positions group selector switch
- 10 extension line selector switch
- Built-in system amplifier w/ capacitor battery
- Has terminals for auxiliary 24V DC when used as Common Battery Telephones.
- To avoid noise problems, the 24V DC must be supplied via a DC/DC converter
- LED call indication in front
- Flush mounted
- Wall mounting with corresponding metal cabinet type MBOKS
- Desk mounting with corresponding wooden cabinet type VSPK
- Suitable for installation in wheelhouse and control room

# SPECIFICATIONS

## GENERAL

Connections	Screw terminals
Color	Black
IP rating	IP-44
Dimensions	238 x 205 x 137 mm (w/ handset and built-in depth)
Panel cut-out	205 x 105 mm
Weight	1.30 kg

## TECHNICAL DIMENSIONS



## ACCESSORIES



**VM-0411**

Item number: 3006090492



**MBOX**

Item number: 3006090478



**VSPK**

Item number: 3006200049



**CD-4**

Item number: 1020159000



**VSP-36-PEL**

Item number: 1020600751



**VSP-36-PELP**

Item number: 1020600761



**IRR-VSPM-24**

Item number: 3006200005



**IRR-VSPM-220**

Item number: 3006200004