

3006200030

VSP-22M

Main Station- Watertight 20-Way



DESCRIPTION

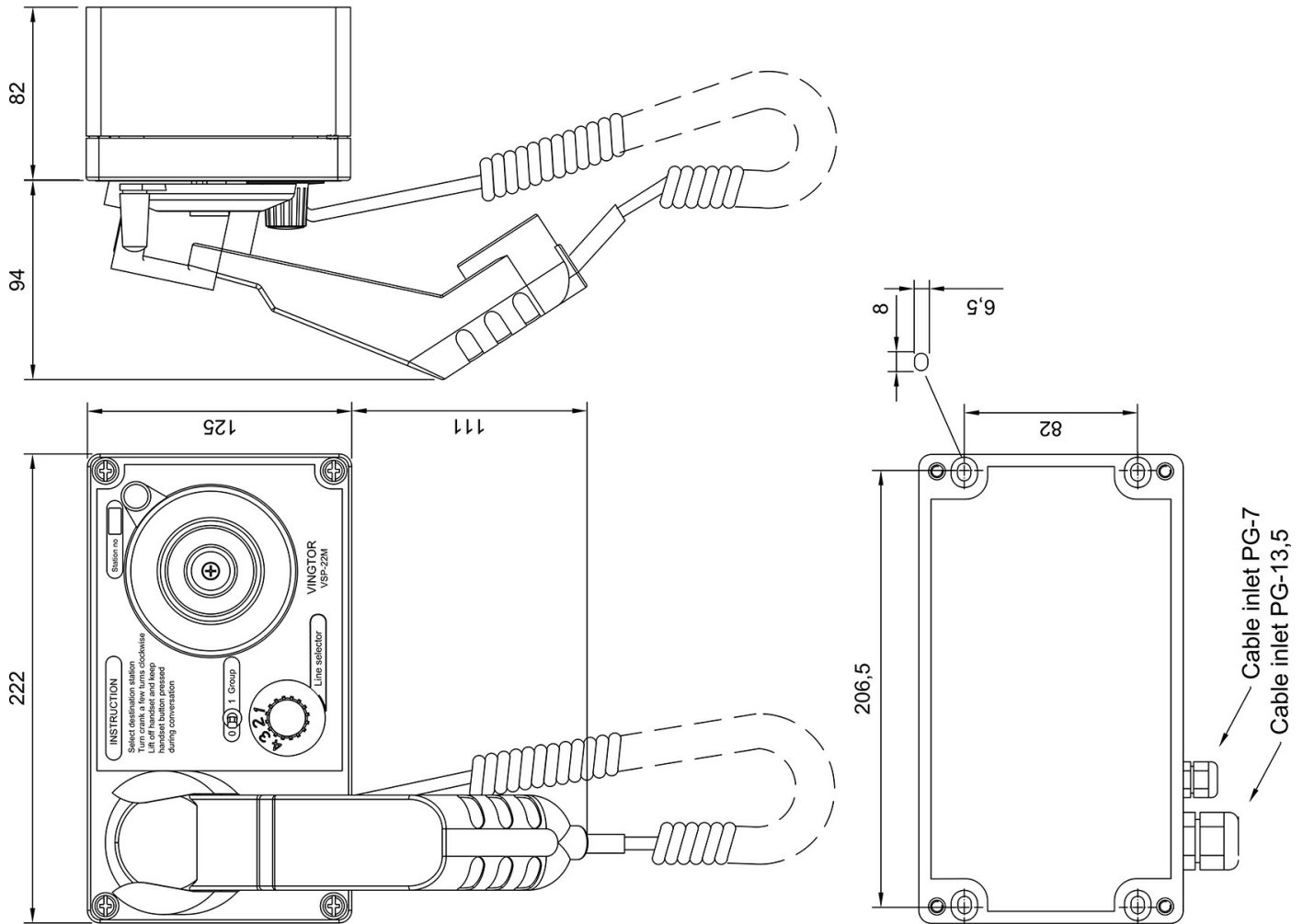
- 20 extension system
- 2 position group selector
- 10 position line selector
- Wall mount
- Waterproof housing for use at bridge wings and open deck areas

SPECIFICATIONS

GENERAL

Connections	Screw terminals
Housing	ROSE Box (AlSi12)
Handset	RA-250 w/holder
Color	Grey RAL7001 / Handset black
IP rating	IP-65
Operating temperature range	-25°C to 55°C
Weight	2.4 kg
Dimensions (WxHxD)	220 x 120 x 185 mm (with handset)

TECHNICAL DIMENSIONS



ACCESSORIES



CD-16

Item number: 1020600982



CD-4

Item number: 1020159000



VSP-36-PEL-Y

Item number: 1020600755



VSP-36-PELP-Y

Item number: 1020600756



IRR-VSPM-24

Item number: 3006200005



IRR-VSPM-220

Item number: 3006200004