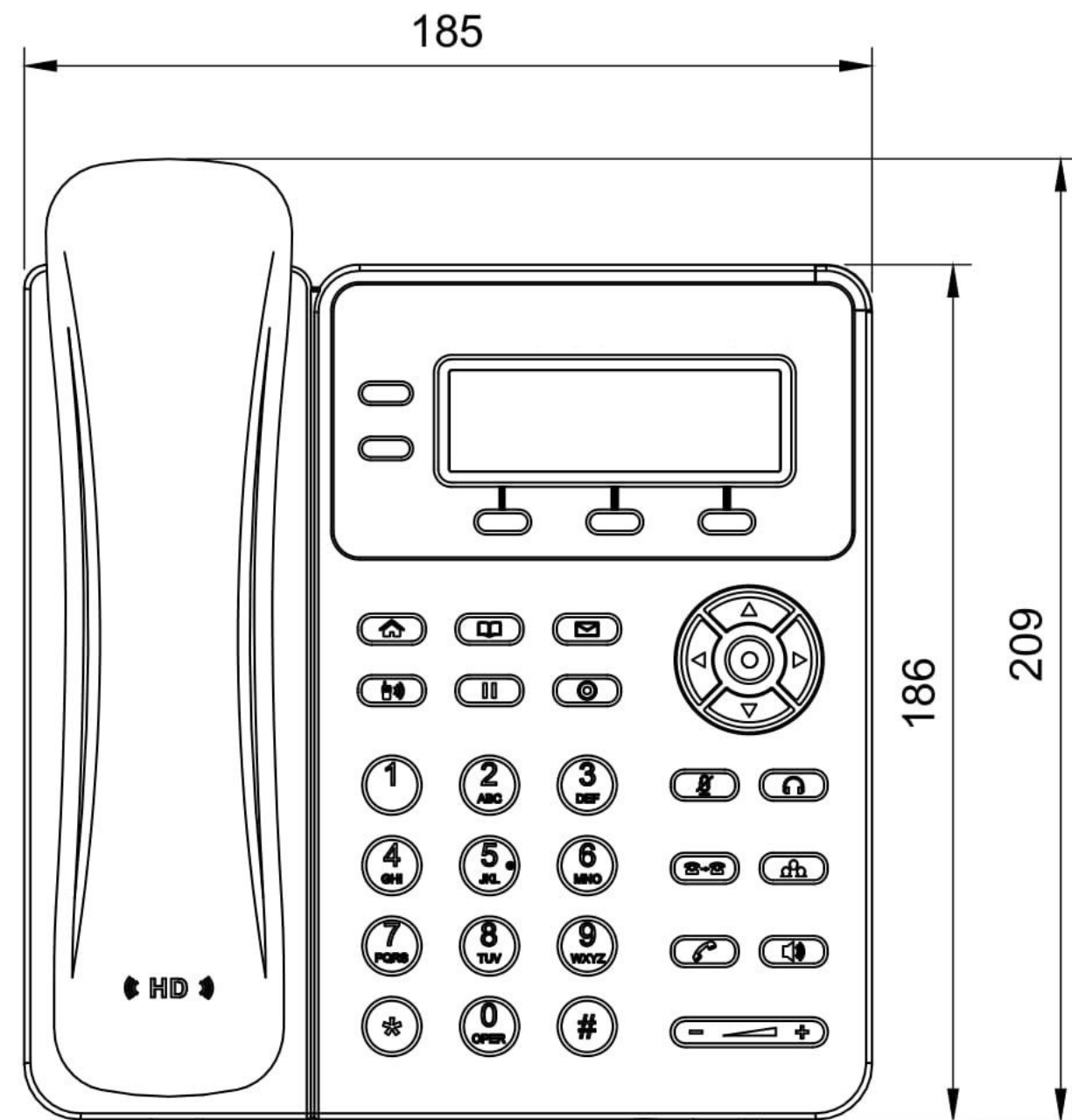
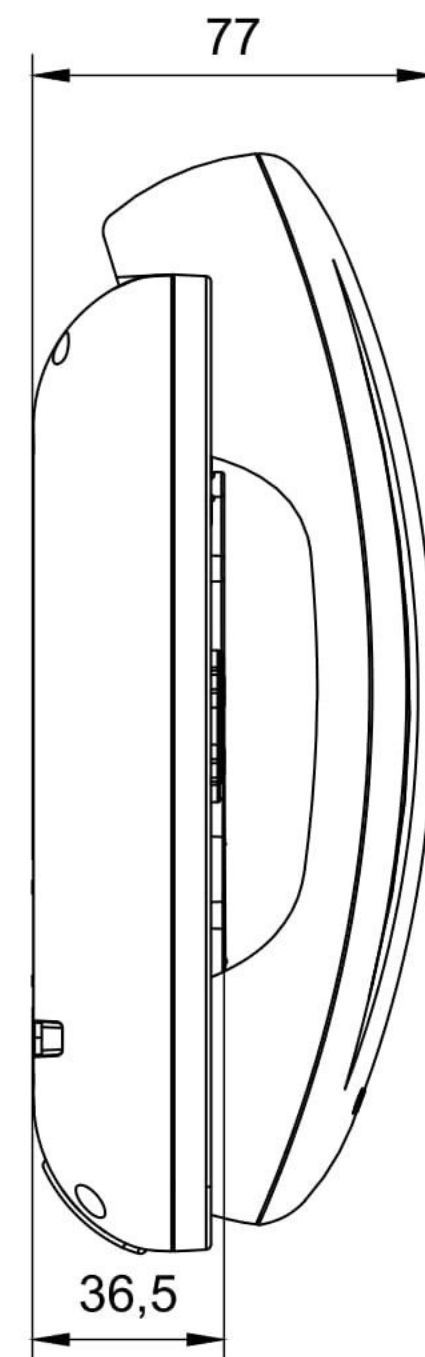


FRONT VIEW

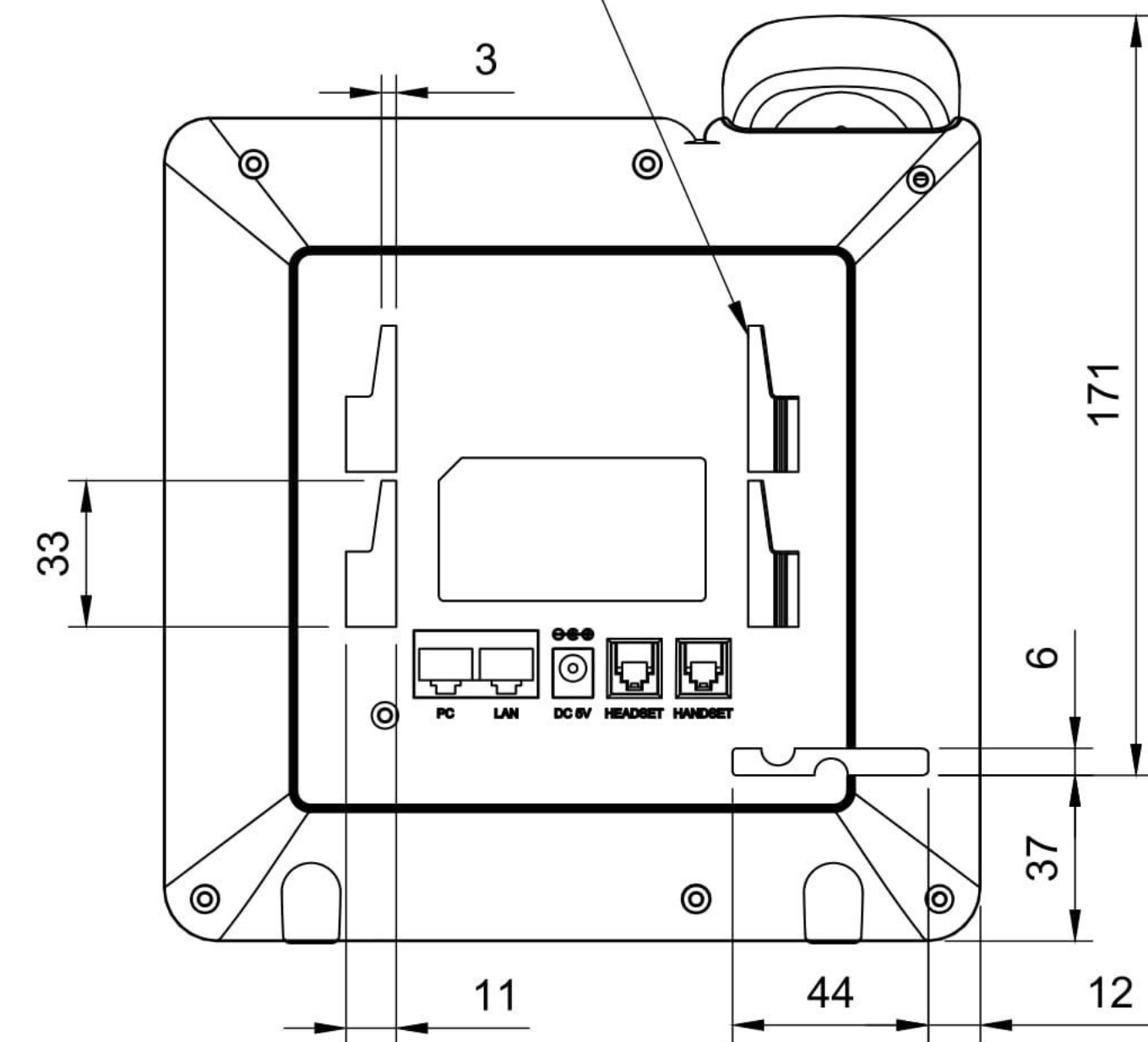


LEFT VIEW

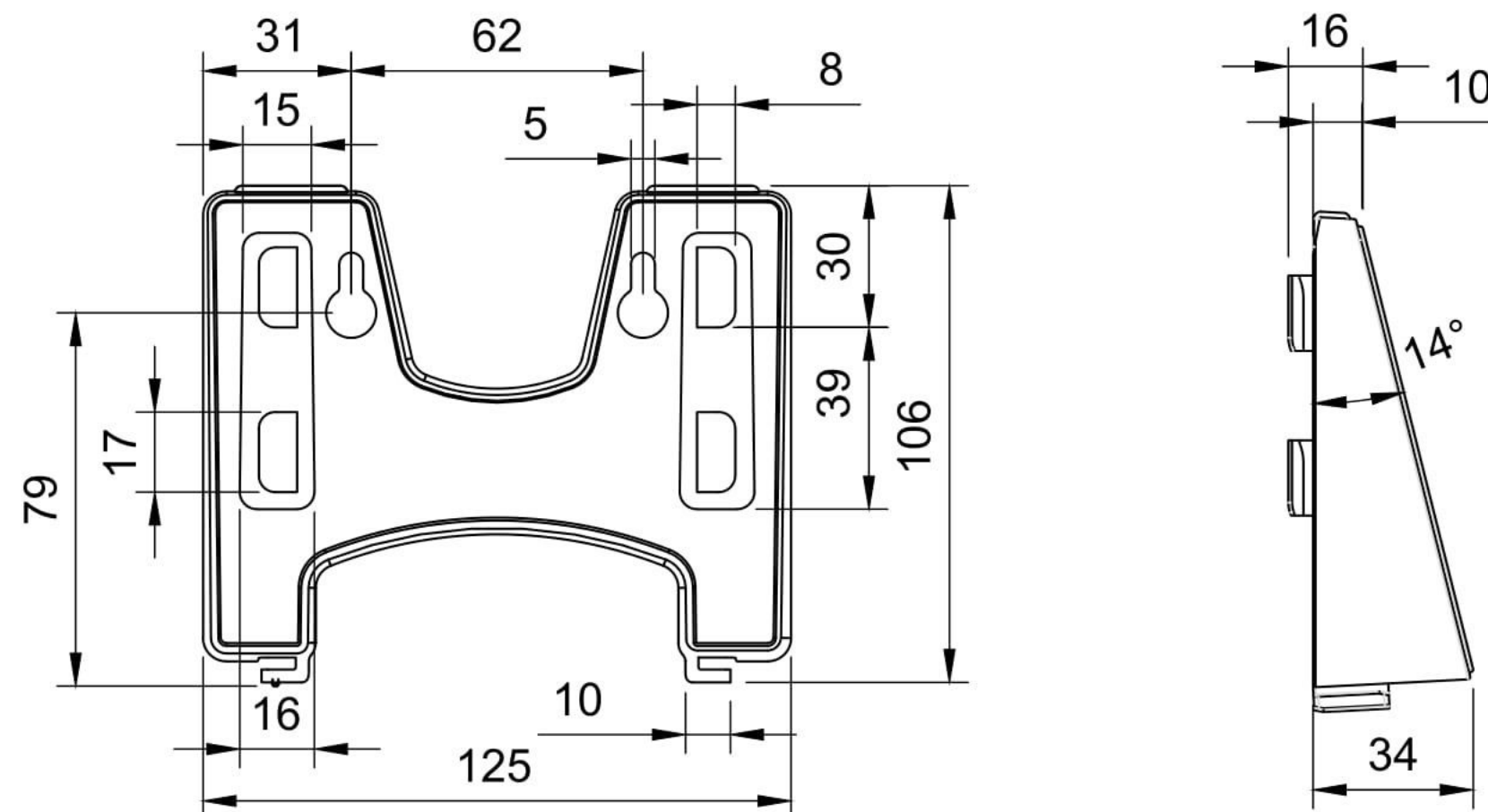


REAR VIEW

Slots for the wall mount bracket



Wall mount bracket



Rev.	Date	Revision text	Approved	Date

VINGTOR STENTOFON

INTERCOM SYSTEM
SIP-Telephone with display and dual LAN

Prep. by BJK	Date 04.04.18	Project no.	
App. by AGK	Date 13.04.18	Rev. by	Rev. date
Dwg. no. A100K11860		Rev. no. 00	
Sheet 1/1	Scale 1:2	Size A3	Unit MM