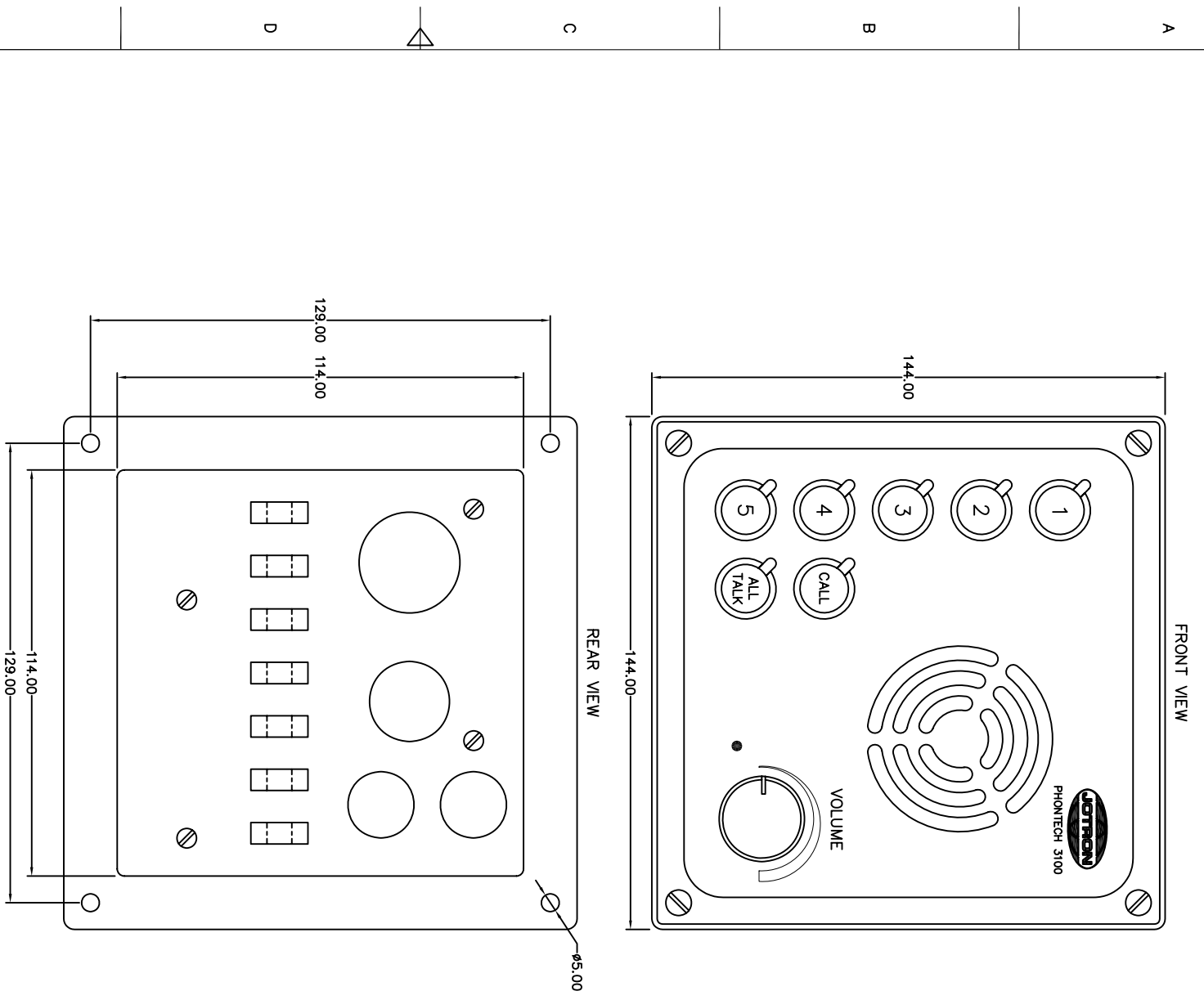
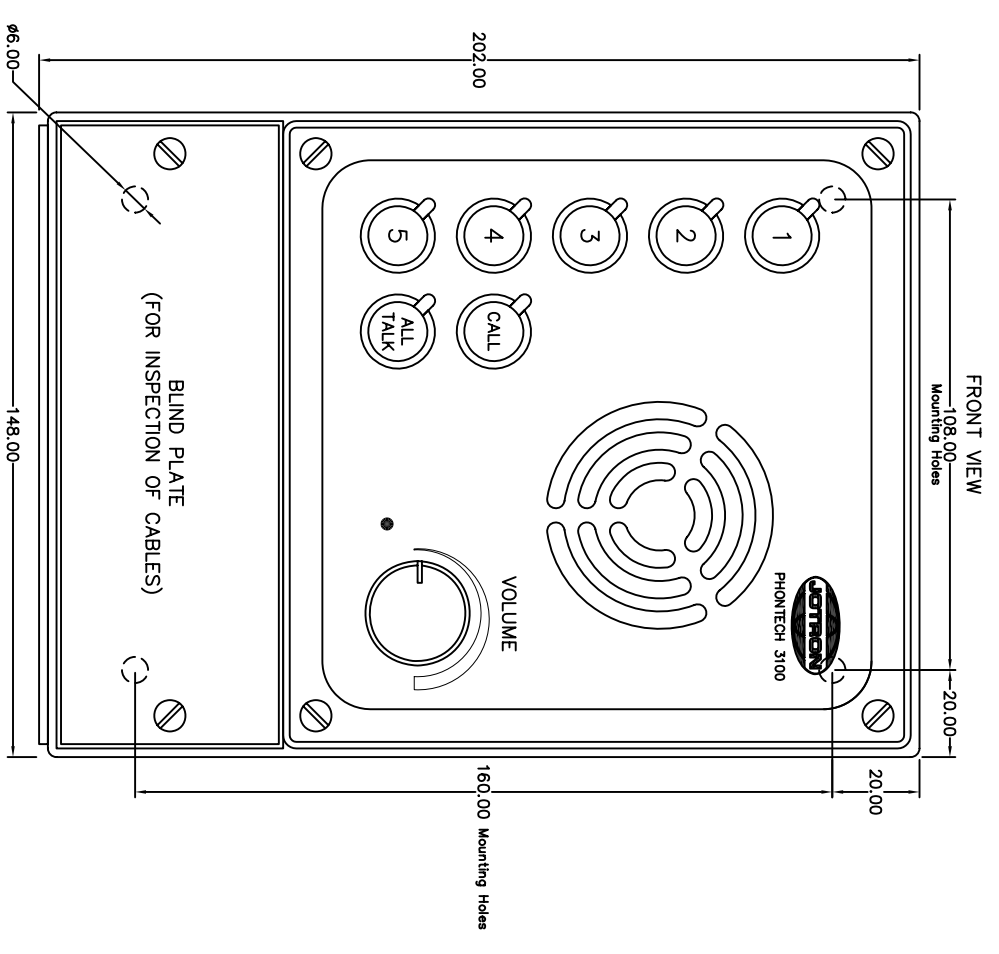
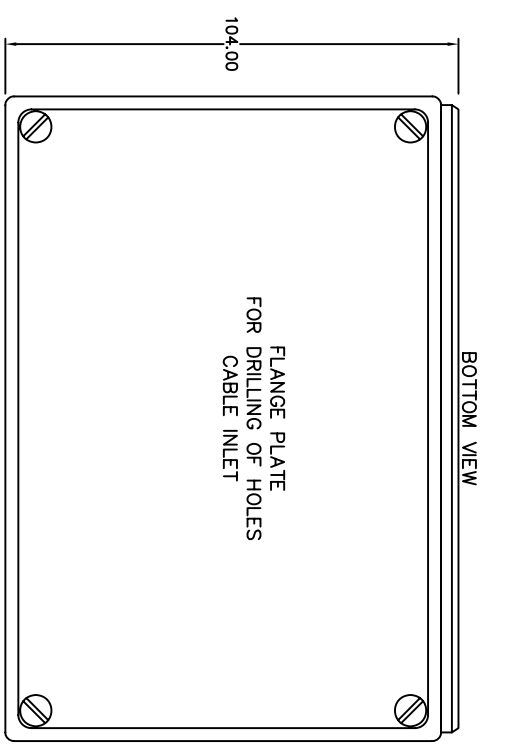


1 2 3 4 5 6 7 8



NOTES:

- MATERIAL: ALUMINIUM 57S.
- COLOUR: BLACK (RAL 9005).
- IP GRADE: IP-22
- WEIGHT: APP. 2,50Kg.
- POWER: 24VDC.
- DEPTH: 100,00mm. EX. FRONT.
- Mounting: 4pcs. M4 Bolt.



NOTES:

- MATERIAL: ALUMINIUM 57S.
- COLOUR: BLACK (RAL 9005).
- IP GRADE: IP-22
- WEIGHT: APP. 3,00Kg.
- POWER: 24VDC.
- Mounting: 4pcs. M5 Bolt.

REV No.	ISSUE DATE	FINAL DOCUMENTATION	REASON FOR ISSUE	CD	R.F.	ASK	PREPARED	CHECKED	APPROVED
0	03.09.2008	FINAL DOCUMENTATION							

TITLE: 3100 MASTER STATION 5-L.  
VERSION 05827.  
MECHANICAL LAYOUT.

PHONTECH

This document is the property of JOTRON PHONTECH and must not be copied or shown to a third person without our written consent. JOTRON PHONTECH reserves the right to alter specification and design without notice.

SIZE: A2 PAGE: 1 of 1

DRAWING No: 08300-001-ML

FILE NAME: 08300-001-ML.DWG