

EN54 A&B CEILING SPEAKER

- 12W 100V LOUDSPEAKER
- SIZE 8" (200MM)
- DUAL 6W A & B INTERNAL SPEAKERS
- QUICK MOUNT
- SHOCK-RESISTANT HOUSING
- INGRESS PROTECTION IP55C
- HIGH EFFICIENCY
- EXCELLENT SOUND QUALITY
- FULLY COMPLIANT TO EN54-24



OVERVIEW

The SPCF-AB-12W-80-EN54 is a 12W 100V flush mount ceiling loudspeaker, which is fitted internally with two independent speaker chassis and 100V transformers, providing excellent sound quality with speech and background music, and which is certified to EN54-24. The two independent internal speakers enable a single one of these loudspeakers to be connected to both the A and B loudspeaker lines in a Voice Alarm system, and to provide full independent A&B operation at low cost. In the case of a failure of either speaker or speaker line then the dual redundant operation will enable the speaker to continue operating, simply with a reduction in the audio SPL of 3dB. The speaker's 100V transformers provide three power adjustment tapings of 2 x 6W, 2 x 3W, and 2 x 1.5W.

The SPCF-AB-12W-80-EN54 has a powder coated metal chassis and grille, with the high quality finish giving good long-term protection and resistance to corrosion. The speaker is supplied with a rear fire dome, and its enclosure is ingress protection rated to IP55C. As standard the speaker is coloured to match RAL9010 'Pure White', however the speakers can be supplied in any four-digit RAL or NCS colour, as a special order.

Quick and easy ceiling mounting is provided through the use of spring clamps, with a possible ceiling thickness of between 10mm and 45mm, and an inner ring attachment prevents the grille from falling. The 100V loudspeaker line cabling is connected by means of a pair of two-pin ceramic terminal blocks, with rubber grommets being provided for the cable connections. For additional reliability, a thermal fuse is provided and the speaker chassis is damp-resistant.

Please note that although thin ceilings can be used as a mounting surface, it should be ensured that the ceiling thickness and strength are appropriate to the weight of the speaker, and to the thickness and weight of the 100V line cable.

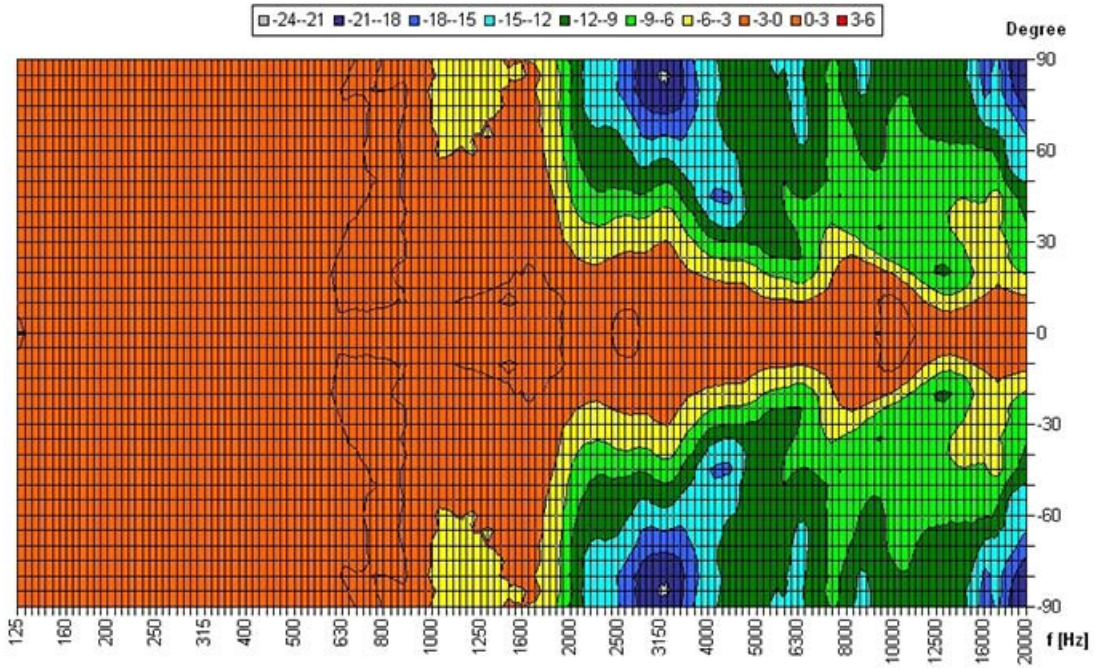
EASE data is available for this speaker on request.

PRODUCT ATTRIBUTES

Power Tappings	2 x 6W / 2 x 3W / 2 x 1.5W
Frequency Range	162 – 18,600 Hz (single) 159 – 16,000 Hz (double)
Frequency Response	125 – 23,500 Hz (single) 120—23,500 Hz (double)
SPL 1W / 1m, peak	98.4 dB (single) 104.8 dB (double)
SPL 1W / 4m, peak	86.4 dB (single) 92.8 dB (double)
SPL Pmax / 4m, peak	94.1 dB (single) 100.5 dB (double)
Sensitivity EN54-24, 1W / 4m	77.8 dB (single) 80.8 dB (double)
Dispersion (-6dB, 500Hz)	180° (horizontal) 180° (vertical) (s/d)
Dispersion (-6dB, 1KHz)	180° (horizontal) 180° (vertical) (s/d)
Dispersion (-6dB, 2KHz)	80° (horizontal) 70° (vertical) (s/d)
Dispersion (-6dB, 4KHz)	41° (horizontal) 32° (vertical) (s/d)
Temperature Range	-20 / +80 °C
Dimensions	267 x 138 mm
Weight (net)	2.20 kg
Colour	RAL 9010 'Pure White'
Connector	Pair of 2-pin ceramic blocks
Mounting	Quick fit mounting
Ceiling Cut-out	243 mm
IP Rating	IP55
Maximum cable cross section	8mm ²
Maximum cable cross section loop	2 x 2mm ²
Packing Unit	8

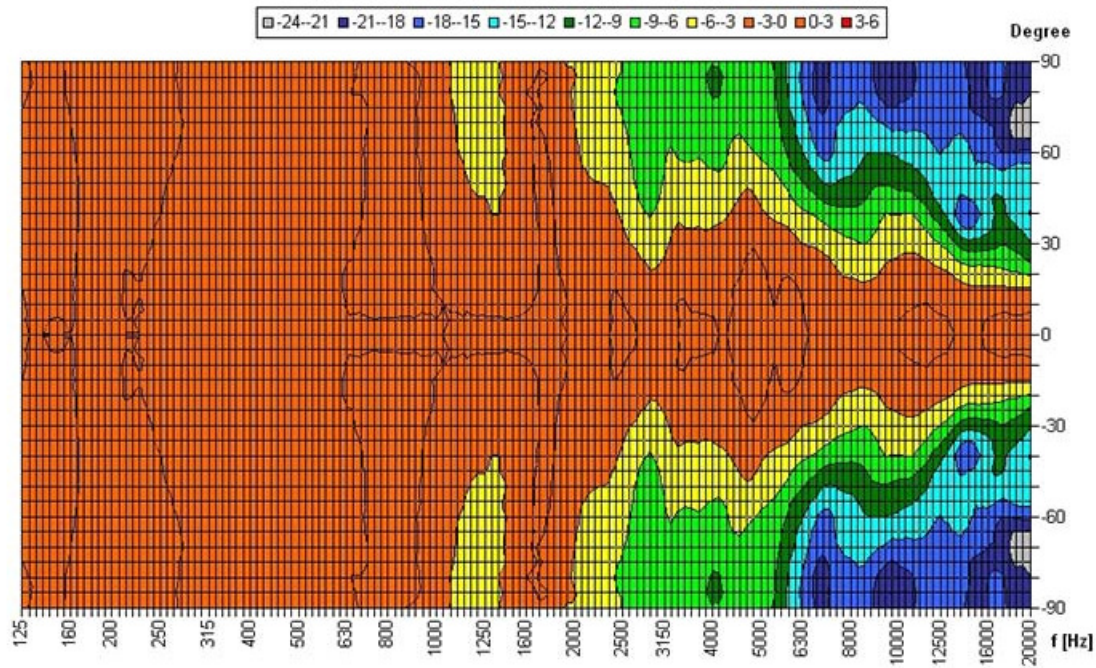
POLAR DIAGRAM

Horizontal Isobars single



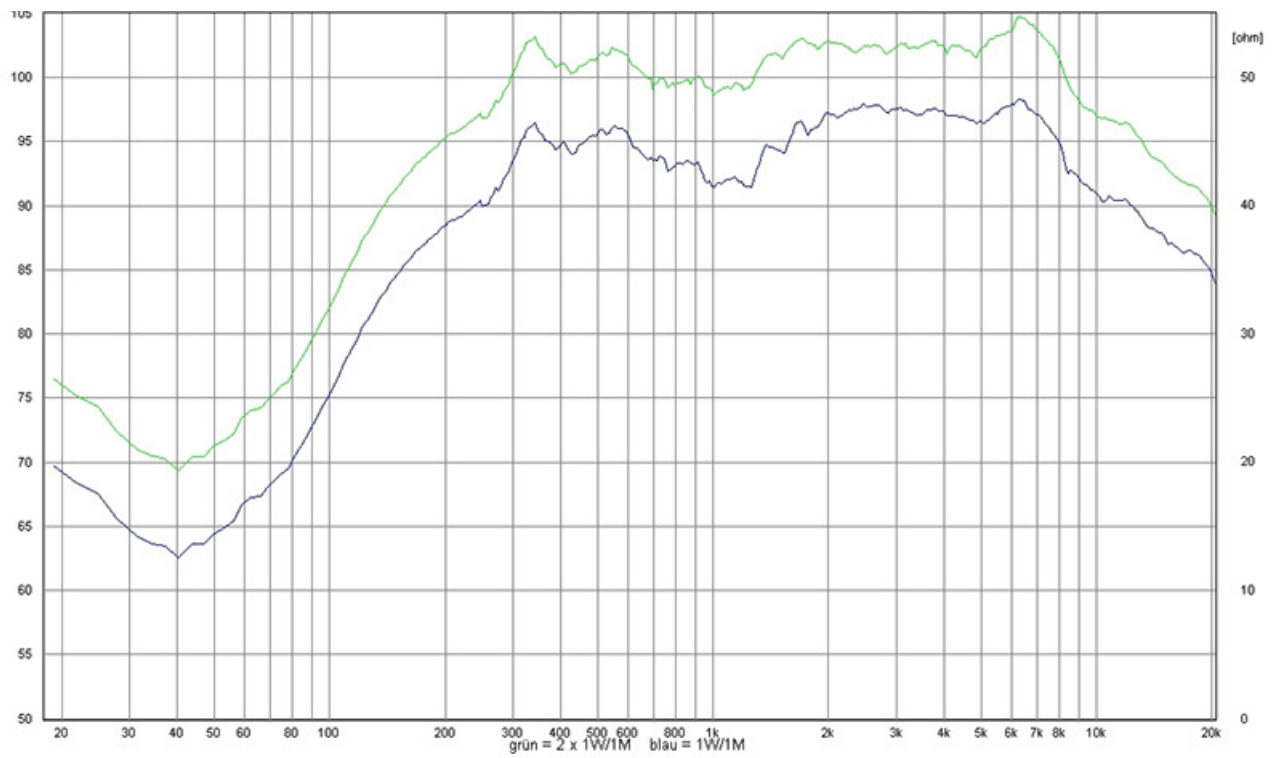
Parameters: Cyclic Move: 0° ; Symmetry: 0..+180 sym ; Freq.Smooth: 1/3 Oct ; Ang.Resol.: 5° ; Rel. to: 0° Axis 0°

Vertical Isobars single

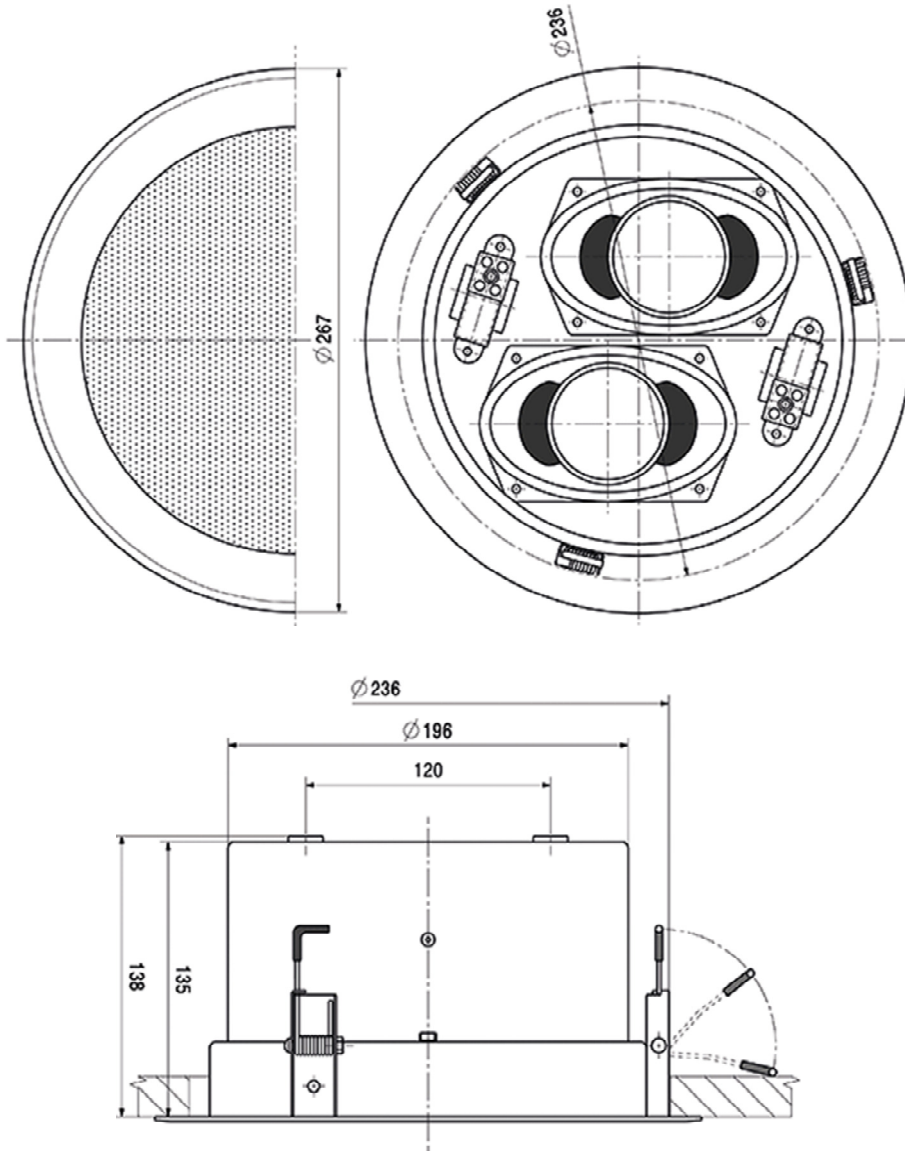


Parameters: Cyclic Move: 0° ; Symmetry: 0..+180 sym ; Freq.Smooth: 1/3 Oct ; Ang.Resol.: 5° ; Rel. to: 0° Axis 0°

FREQUENCY RESPONSE DIAGRAM



DIMENSIONAL DIAGRAM



Measurements according to DIN IEC 268-5

RoHS complaint (2011/65/EU)

Made for:

Application Solutions (Safety and Security) Limited
 Unit 17 - Cliffe Industrial Estate - Lewes - East Sussex - BN8 6JL - U.K.
 Tel: +44(0)1273 405411

www.asl-control.co.uk



Assessed to ISO 9001

All rights reserved.

Information contained in this document is believed to be accurate, however no representation or warranty is given and Application Solutions (Safety and Security) Limited assumes no liability with respect to the accuracy of such information.