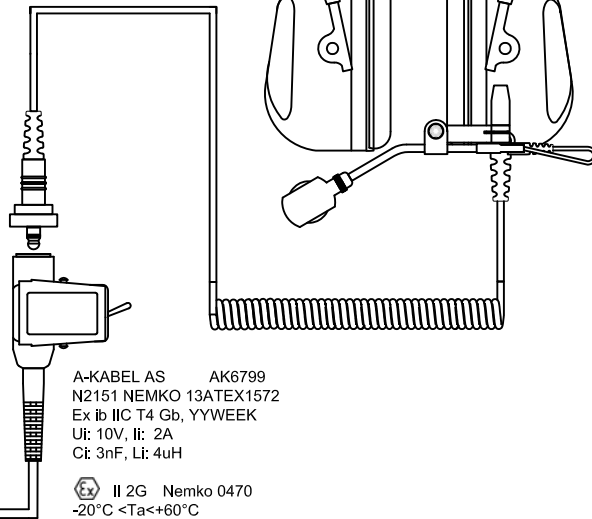
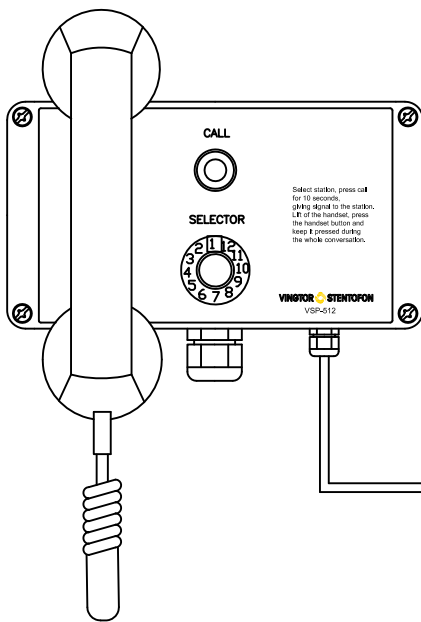


Ex Station type VSP-512
3006200044

A-KABEL AS AK5850HS
N2151 NEMKO 03ATEX1351
EEx ib T4. Uf: 9V, Ii: 291mA
Pi: 1,2W, Ci= Negligible
Li= 0,9mH, YYWEEK

II 2G
-40°C <Ta<+60°C CE 0470

Headset AK5850HS
2330040026



Cable w/ latching switch for headset
AK6797 10mtr. 2330040027
AK6799 20mtr. 2330040028



Approved by Name	Approved date dd.mm.yy
---------------------	---------------------------

Doc..no. A100K11569	Rev.no. 00
------------------------	---------------

SEN	02.02.2015
-----	------------

VINGTOR STENTOFON

www.vingtor-stentofon.com

Connection & User Manual

AK6797-2330040027 & AK6799-2330040028

Headset AK5850HS to Ex Station VSP-512

User Information

Please notice that this unit shall not be used in Ex areas together with any equipment that cannot meet the requirements in the ATEX certificate and Directive 94/9/EEC

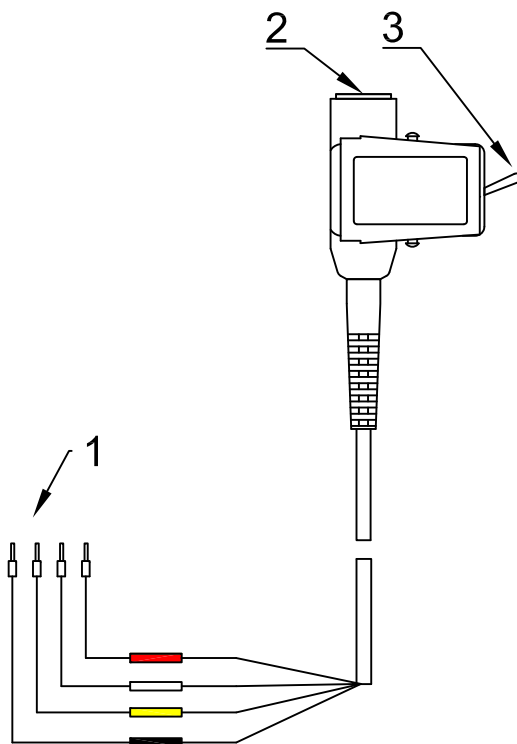
Connect the connector pins (1) into the output terminals X1 in the VSP-512 Ex Telephone according to VSP-Ex Installation & User Manual A100K11872.

Fasten the the unit by steel clip in the clothing or where it may be convenient to operate. Plug the male jack from the headset into the receptacle jack (2) on the latching switch. Be sure of that the male plug is pressed to the bottom of the receptacle.

The latching switch is working in simplex mode. The toggle switch (3) has to be set to "ON" position for transmitting. To listen only, set the toggle switch to "OFF" position.

You may clean the PTT-unit by using a clean cloth or a cloth with water and ordinary soap. Alcohol may be used to disinfect the unit. Avoid dust, water and other pollutions to come into the receptacle jack (2). This area may be cleaned by ordinary cleansing spray for electronics added on a Q-tip. For additional information and spare parts, please contact Zenitel AS.

All repair and maintenance shall be performed by an Ex-approved workshop or by the manufacturer A-kabel



Nemko13ATEX1572

AK6797: $U_i:10V_{dc}$, $I_i:2A$, $C_i:1,5nF$, $L_i:2\mu H$

AK6799: $U_i:10V$, $I_i:2A$, $C_i:3nF$, $L_i:4\mu H$

Ex

Equipment
for ATEX

ib

Type of
protection

IIC

Gas group

T4

Equipment
protection level

Temperature range: -20 to +40 degrees C



Explosion
proof
According
to ATEX

II2

Equipment
group, and
category

G

Gas
(Zone)

Gb

Equipment
Protection level

CE 0470

Nemko
Notified
Body ID