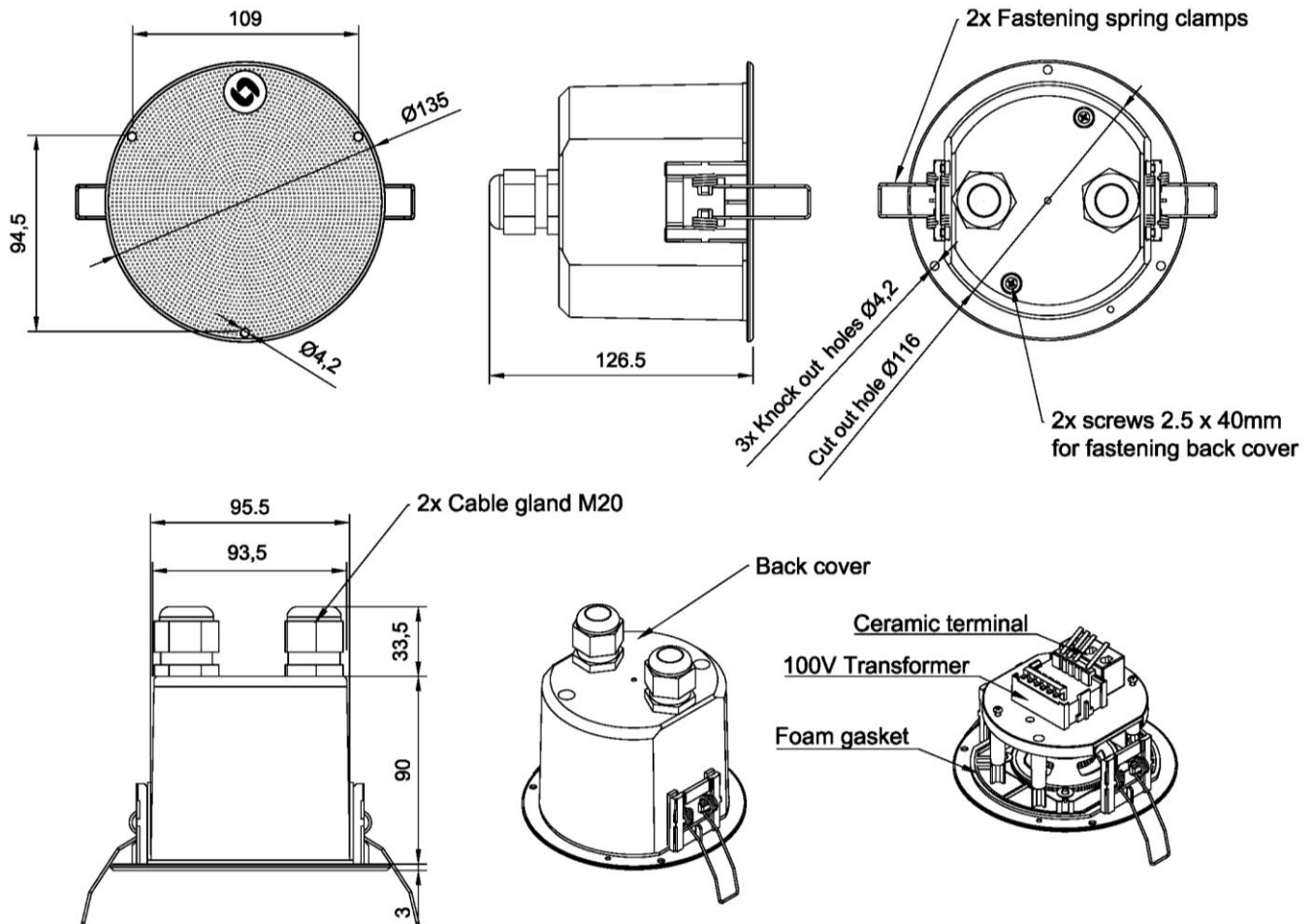


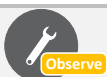
CLWT-135T Speaker Installation Guide

Item Number	Item Name	Description
2131000133	CLWT-135T	Ceiling Speaker WT, 100V, IP55, 6W

1 Dimensions & Mounting Procedure



1. Cut out a hole in the ceiling at $\varnothing 116$ mm.
2. Lead the cable through the M20 cable glands and tighten them.
3. After connections are done, mount the back cover with the two screws provided.
4. Fasten the speaker to the ceiling by using the 2x fastening spring clamps.
5. Knock out and use the 3x fastening holes at $\varnothing 4.2$ mm if additional tightening is required.

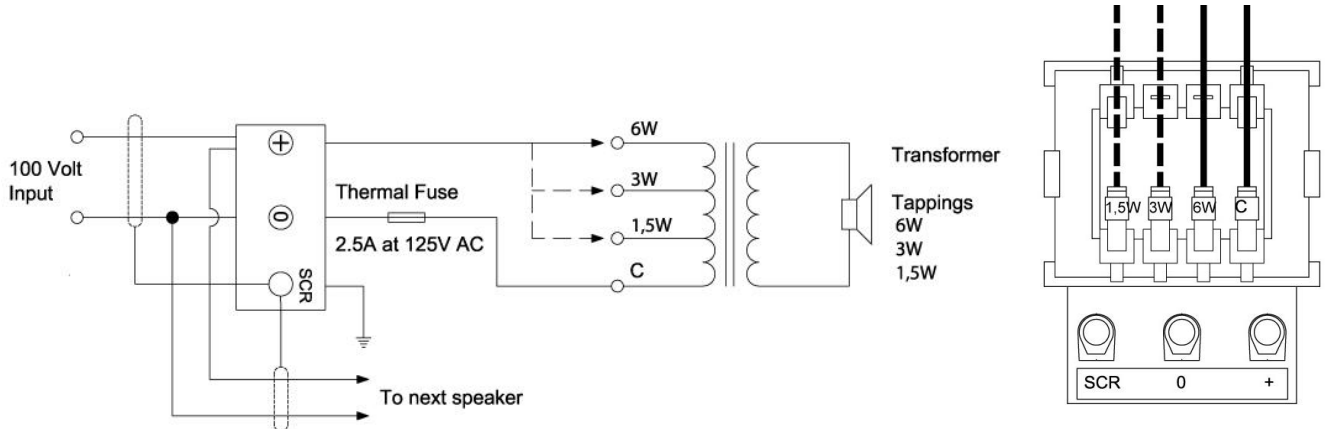


Make sure that the cables have the necessary length for maintenance.

2 Connections



Do NOT open the speaker when energized.



Cable Requirements

- Approved ship's cable 0.5 – 1.5 mm² with outer braided tinned copper shield. The shield must be interconnected and grounded in a common ground point in the central unit only.
- Optional tapplings at 1.5W, 3W or 6W by changing cable positions as shown in the figure. C is common.



The speaker must be connected to a 100V voltage amplifier line.

3 Specifications

Dimensions (Diameter x Depth)	Ø136 x D130 mm
Cut Out Dimension (Diameter)	Ø116 mm
Suspension / Mounting	Spring Clamp
IP Rating	IP-55
Operating temperature range	-20 °C ~ + 70 °C
Rated / Max Power	6W / 12W
Power Tappings	100 V 6 - 3 - 1.5 W
Sound Pressure Level (400,500,600,700HZ,1W/1M)	88 dB ±3dB
Frequency Range	200 – 20000 Hz
Speaker	2.5-inch paper cone with cloth surround (moisture resistant)
Connections	Ceramic Terminal Block with Thermal Fuse
Baffle Material	ABS, UL94 Vo, White RAL 9010
Grille Material	ABS, UL94 Vo, White RAL 9010
Back Cover	ABS, UL94 Vo, White RAL 9010
Cable Glands	2x M20
Weight	0.62 kg

DOC NO.

A100K11810

09.08.2018

customer.service@zenitel.com



Zenitel and its subsidiaries assume no responsibility for any errors that may appear in this publication, or for damages arising from the information therein. VINGTOR-STENTOFON products are developed and marketed by Zenitel. The company's Quality Assurance System is certified to meet the requirements in NS-EN ISO 9001. Zenitel reserves the right to modify designs and alter specifications without notice. **ZENITEL PROPRIETARY.** This document and its supplementing elements, contain Zenitel or third party information which is proprietary and confidential. Any disclosure, copying, distribution or use is prohibited, if not otherwise explicitly agreed in writing with Zenitel. Any authorized reproduction, in part or in whole, must include this legend. Zenitel – All rights reserved.