

L101X AlertAlight

High Powered Xenon Tube Beacon
5J Xenon Flash Tube

Three modes : Flashing 1 Hz*,
Flashing 1.5Hz† (DC units Only),
Double Strike† (DC Units Only)

IP Rating: IP66
Temp: -25°C to +55°C
Unit weight: 200g
CE

Dimensions : 86.0 x 86.0mm
1.5mm² terminals
Cable entry: M20 cable entry (IP66)
Dependant on Back Box selected

[Z] = Back Box Type
B = L101 type
A = A100 type

M = Multi-purpose type
S = Sonora type

[Y] = Lens colour
R = Red*
B = Blue
G = Grey

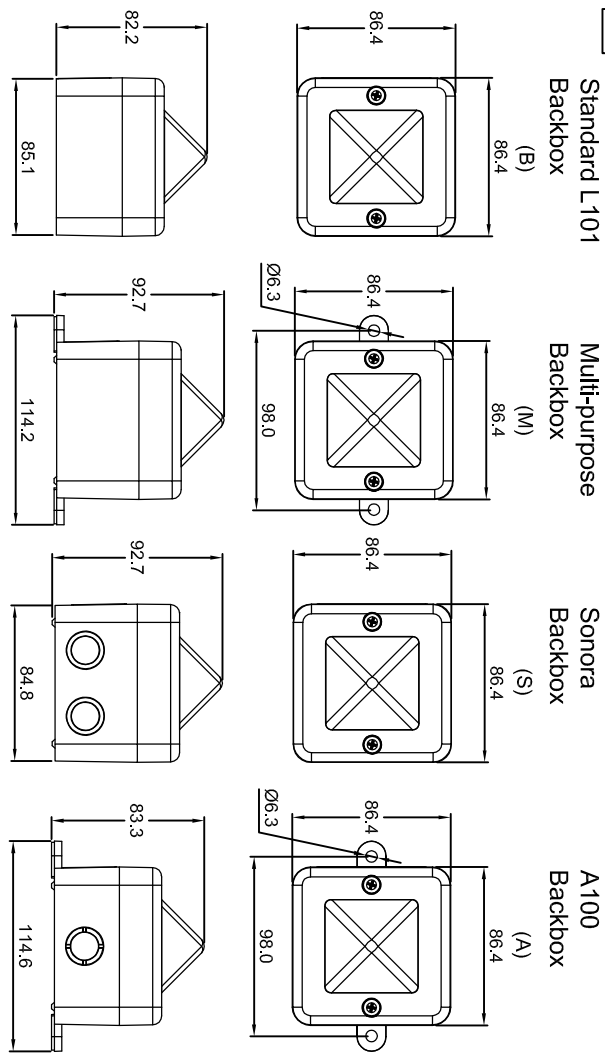
A = Amber
C = Clear*
R = Red
W = White

[X] = Housing colour
G = Grey

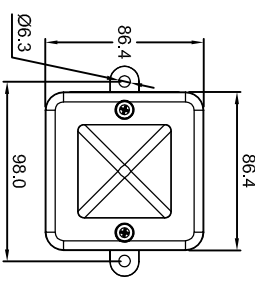
Order code	Voltage	Current
L101XDC012Z[X Y]	10-14 VDC/AC	500mA/380mA
L101XDC024Z[X Y]*	20-28 VDC/AC	250mA/300mA
L101XDC048Z[X Y]†	42-52 VDC	175mA
L101XAC048Z[X Y]	48 VAC±10%	250mA
L101XAC115Z[X Y]	115 VAC±10%	70mA
L101XAC230Z[X Y]	230 VAC±10%	35mA

†Flashing 1.5Hz and Double Strike modes are not available on the following units: L101XDC012B[X|Y] when used with an AC supply; L101XAC048B[X|Y]; L101XAC115B[X|Y] & L101XAC230B[X|Y].
*Benares models with VGS/CRP Approval for EN54-23, 24/48 VDC
Tel : +44 (0)20 8740 8880 Fax : +44 (0)20 8740 4200
mail : sales@zds.com web : www.zds.com

3 Back Box Type



A100 Backbox (A)



2

ATTENTION: Installation must be carried out by an electrician in compliance with the latest codes and regulations.

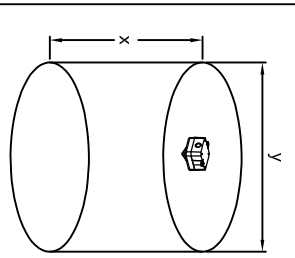
ATTENTION: Disconnect from power source before installation or service to prevent electric shock.

ATTENTION: On strobe beacons allow a minimum of 2 minutes for hazardous high voltage to discharge from unit.

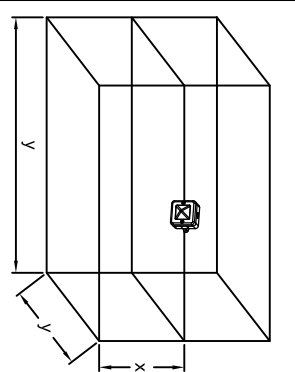
ATTENTION: Lens on unit will be hot allow to cool prior to removal.

4 Coverage Area According to EN54-23

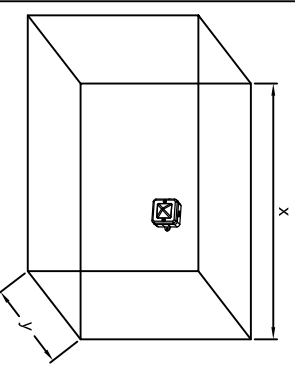
UNIT	Category C	Category M	Category O	Beacon
L101XDC024Z[X Y]/C	C-8x6.8	Wx2.4x4.8	O-1.5x1.0	6W
V=328.9m ²	V=55.3m ²	V=230.4m ²		
L101XDC024Z[X Y]/R	C-3x2.6	N/A	O-1.3x3.6	6W
V=15.9m ²	N/A	V=13.0m ²		
L101XDC048Z[X Y]/C	C-8x7	Wx2.5x5	O-5x10	8.4W
V=246.4m ²	V=42.5m ²	V=250.0m ²		
L101XDC048Z[X Y]/R	C-3x3	N/A	O-2x4	8.4W
V=21.2m ²	N/A	V=16.0m ²		



Category C-x-y (Ceiling mounted): Ceiling mounted, where x is the maximum ceiling height and y the diameter of the cylindrical volume covered by the VAD.



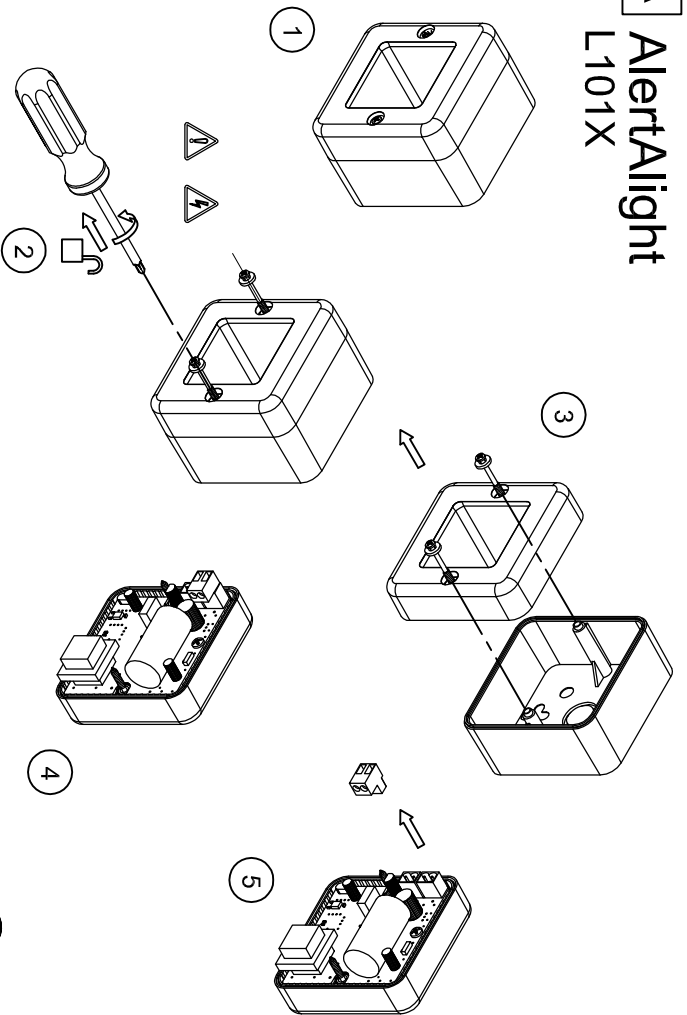
Category W-x-y (Wall mounted): Wall mounted, where x is the maximum mounting height from the floor and y is the maximum length of the square floor area covered by the VAD.



Category O-x-y (Open class): Centrally wall mounted, where x is the max height and width of the wall area covered by the device and y is the max depth of the volume covered by the VAD or ceiling mounted where x is the max width and length of the floor area covered of the VAD and y is the max ceiling height.



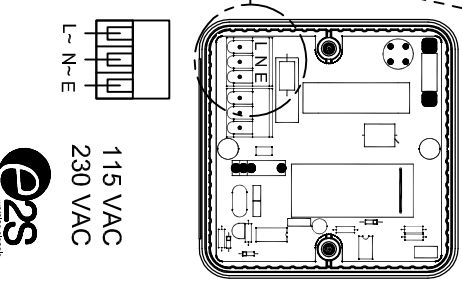
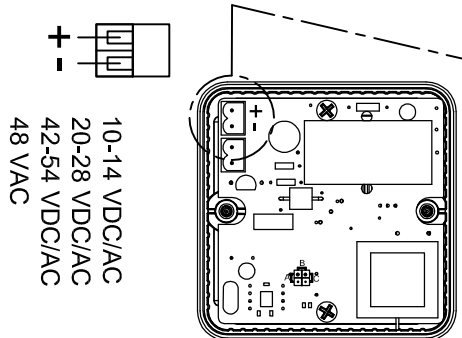
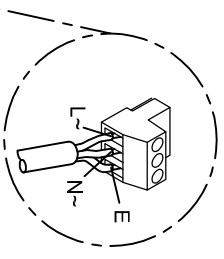
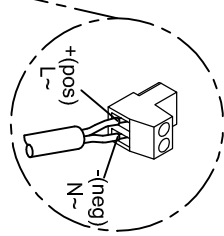
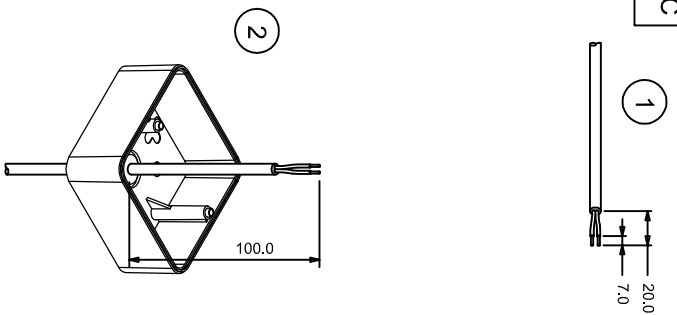
A AlertAlight L101X



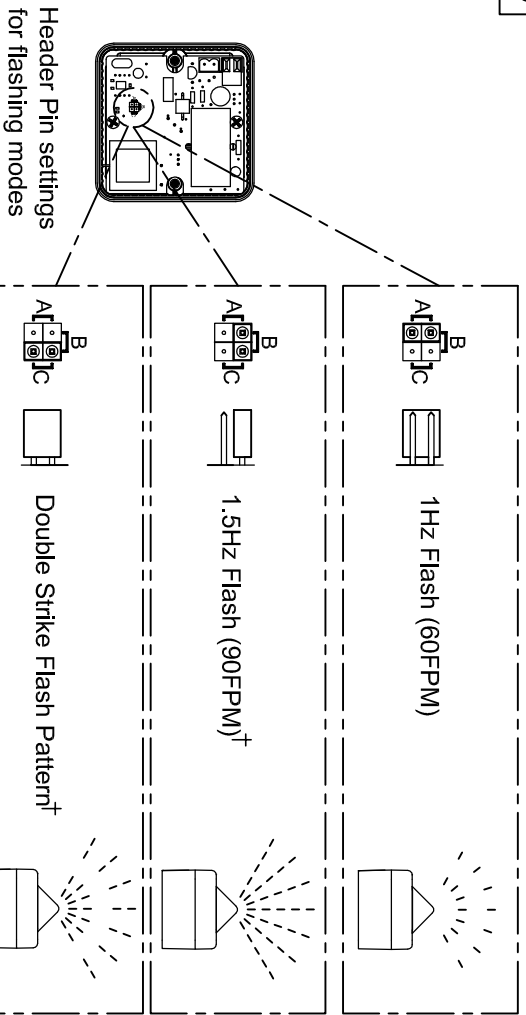
Tel: +44 (0)20 8743 8880 Fax: +44 (0)20 8740 4200
 Email: sales@e2s.com Web: www.e2s.com



C



B



[†] Flashing 1.5Hz and Double Strike modes are not available on the following units: L101XDC012b|X|V| when used with an AC supply; L101XAC048b|X|V|; L101XAC115b|X|V| & L101XAC230b|X|V|.



D

