



DNH

HEAD OFFICE, NORWAY

DNH AS

Phone..... + 47 35 98 56 00

Fax..... + 47 35 98 56 10

E-mail..... dnh@dnh.no

Web-Site..... www.dnh.no

ENGLAND

DNH WW Ltd

Phone..... + 44 1908 275 000

Fax..... + 44 1908 275 100

E-mail..... dnh@dnh.co.uk

GERMANY

DNH GmbH

Phone... + 49 040 6569 30-0

Fax..... + 49 040 6569 30-30

E-mail..... dnh@dnh.de

USA

DNH Speakers Inc

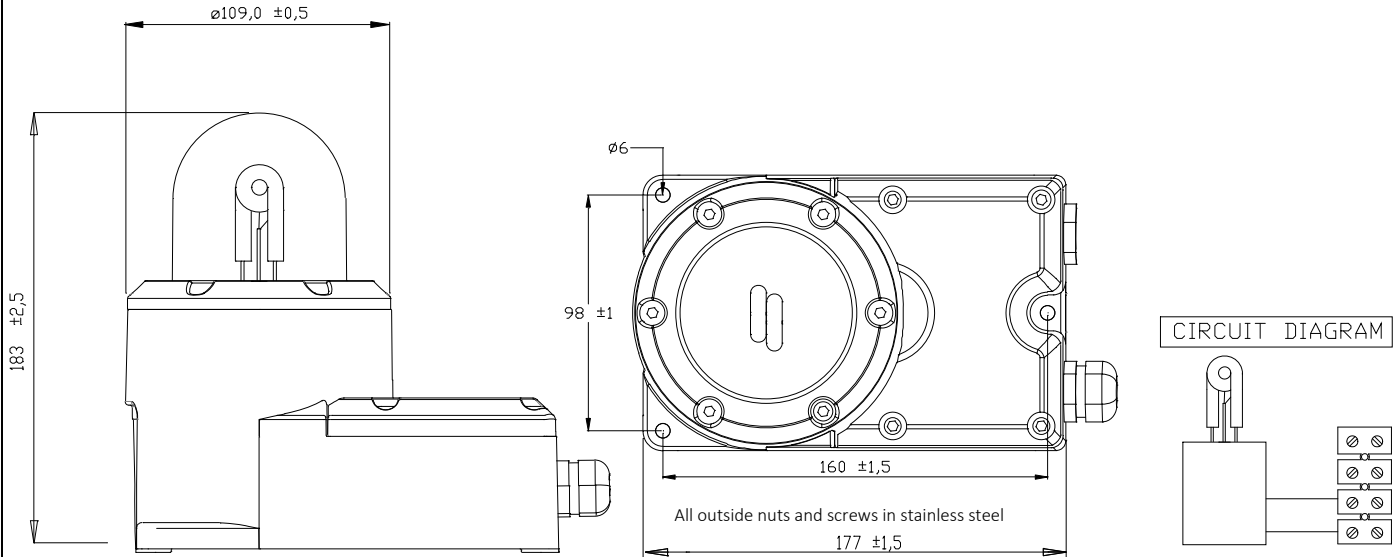
Phone..... + 1 484 494 5790

Fax..... + 1 484 494 5793

E-mail. dnh@dnhspeakers.com

BS-21

ISO 9001 CERTIFIED



Specifications

Material / Color	Aluminum alloy / RAL 7035		Lamp type	Xenon	
Mounting	Screws		Cable entries	M20	
Termination	Screw terminal		Lens colors	Clear, Red, Amber, Green, Blue	
IP-rating	66		Weight	2,4 kg	
Max. / min. amb. temp	58°C / -50°C		Flash rate	1 Hz	
Rated energy	21 Joule		Dome	Borisilicate glass	
Max voltage DC	48V		Max voltage AC	230V (50-60Hz)	
Rated current 24V Dc	Average	Max	Rated current 115V Ac	Average	Max
	0,625A	2,9A		0,391A	0,7A
Rated current 48V Dc	Average	Max	Rated current 230V Ac	Average	Max
	0,375A	1,9A		0,208A	0,5A
Luminous intensity	Between 300 and 400 candelas				

Installation, Operation and Maintenance Procedures

- Secure the BS-21 Flashlight to ceiling or wall with three screws.
- Termination is accessed in e-chamber, by removing aluminum lid fastened with four screws.
- Be sure that the BS-21 is connected to the correct voltage, and current stated on labels on the model.
- The lid screws for the termination chamber should be fastened with a torque of 2 Nm to assure the IP-rating.
- Use only correctly certified cable glands/bling plugs. Reflecting the same IP & temperature specifications as stated on the label.
- Outside earthing: Use enclosed pan/washer. Min 4mm² wire.
- Inside earthing: Use marked earth screw. Min.cross section equal to one of the wire on incoming cable.
- Delivered with 2 x M20 blanking plugs.
- WARNING: Do not open this product when it is energized.
- Do not operate the product more than four hours continuously.
- This product is supplied with two years warranty against defective materials and workmanship.

DNH reserves the right to alter specifications without notice

