

Rev	CN	Sign	Date	Description / Change
A		MK	04.03.2016	Product release
Revision History				

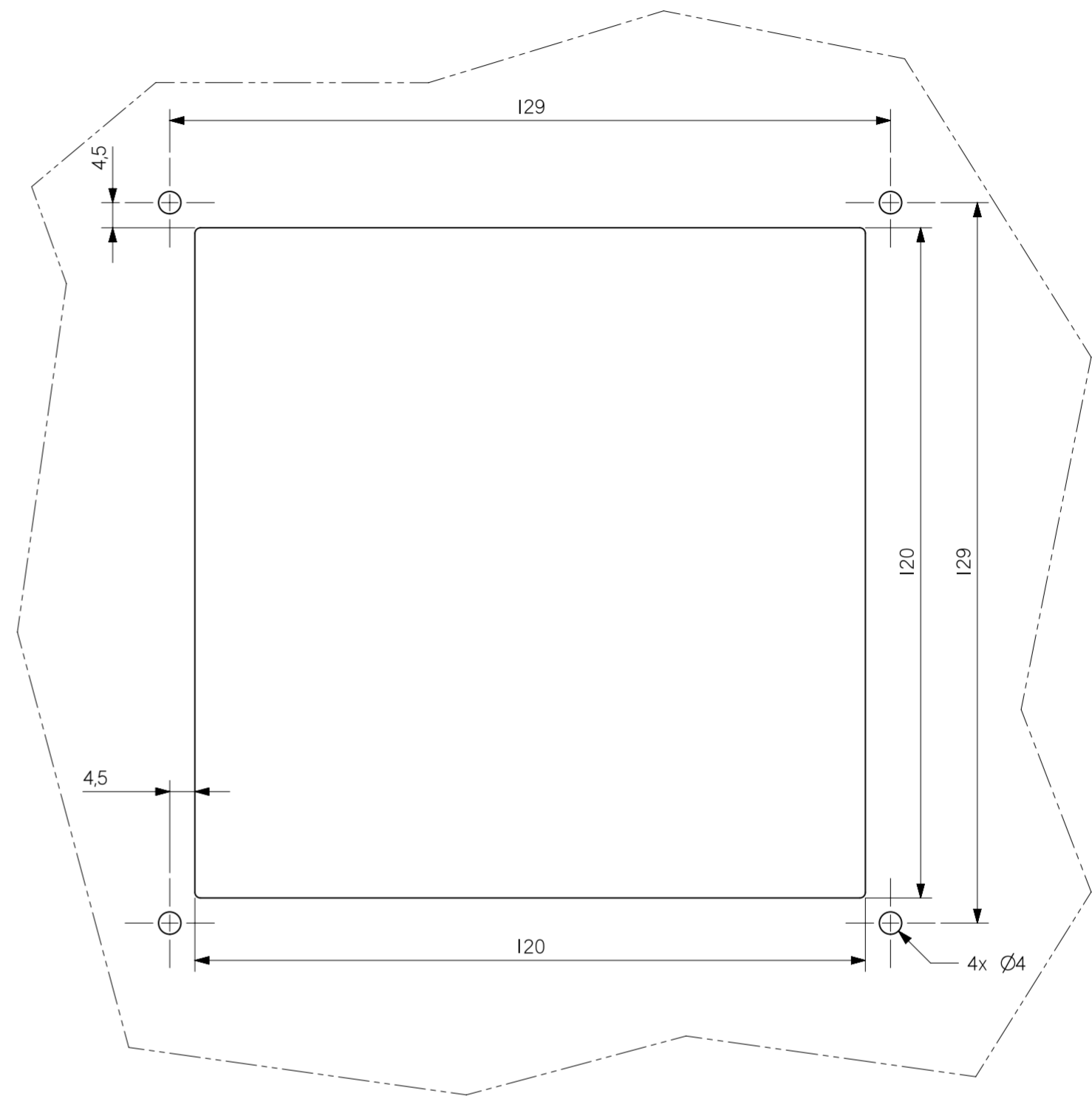
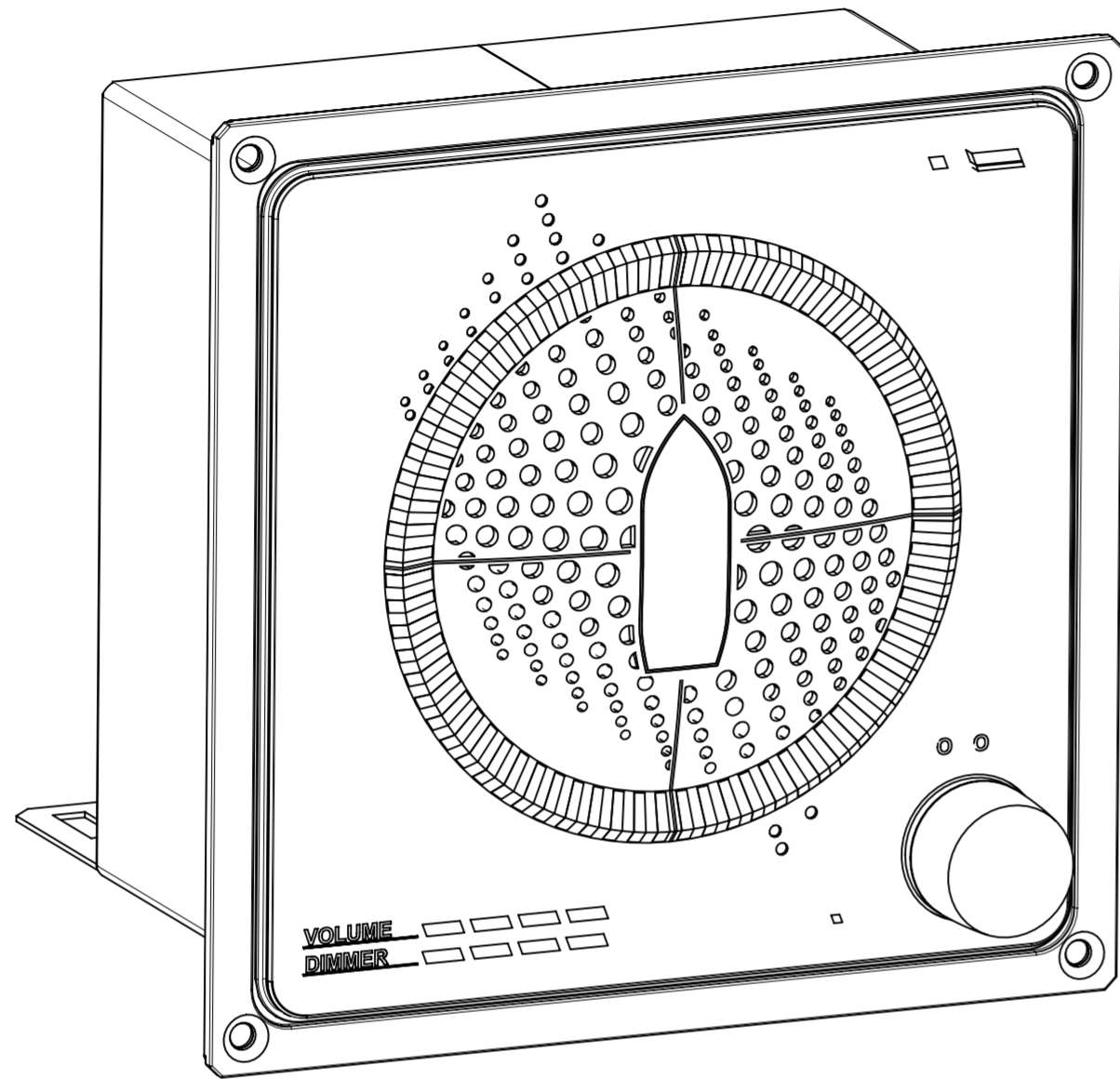
EQUIPMENT DATA:

MANUFACTURER : Zenitel  
 MODEL/TYPE : Phontech 8300 MKII Display Unit  
 CABLE ENTRY : REAR  
 GLAND TYPE : SEE DRAWING  
 IP GRADE : IP-22  
 BOX COLOUR : N/A  
 WEIGHT OF UNIT : 0,85Kg  
 MOUNTING : To Console

FIXING DETAIL : 4pcs M3 Bolt/Nut  
 ACCESS : N/A

POWER SUPPLY : 24VDC  
 POWER CONSUMP. : max 8W  
 HEAT DISSIPATION : less than 8W

Material/Density/Mass:			
General tolerance	General Surface Roughness Ra:		
Approved:	Original model:	Original draft:	Date: See Revision History
<b>Phontech 8300 MKII Display Unit</b>			Size: A2
			Scale: 1:1
			Rev: A
<b>19490</b>			



Mount hole pattern

Rev	CN	Sign	Date	Description / Change
A	-	MK	04.03.2016	Product release
Revision History				

Material/Density/Mass:			
General tolerance	NS-150-2768-1-m	General Surface Roughness Ra:	RA3,2
Approved:	Original model:	Original draft:	Date:
---	---	---	See Revision History
Phontech 8300 MKII Display Unit		Size:	A2
		Scale:	1:1
		19490	Rev: A