

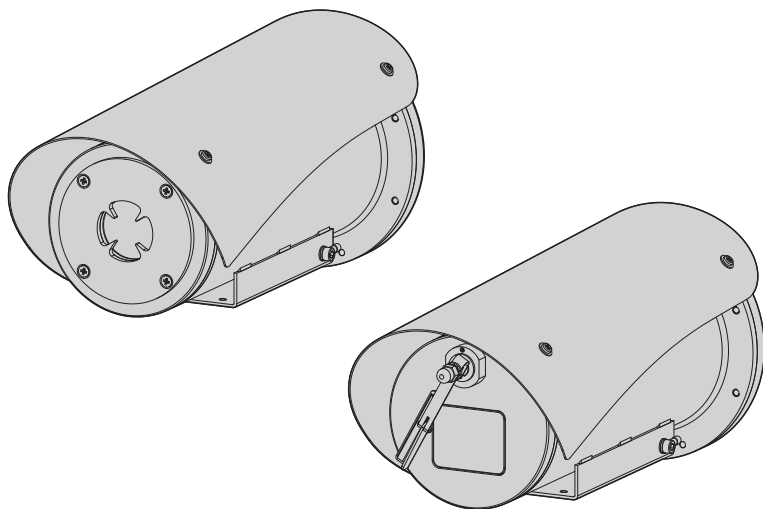
Ex
IP66/IP68



MAXIMUS MVX, MAXIMUS MVXT, MAXIMUS MVXHD

Custodia antideflagrante in acciaio inox

MANUALE A



EN English - Instruction manual

IT Italiano - Manuale di istruzioni

FR Français - Manuel d'instructions

DE Deutsch - Bedienungsanleitung

RU Русский - Руководство по эксплуатации

PT Português - Manual de instruções

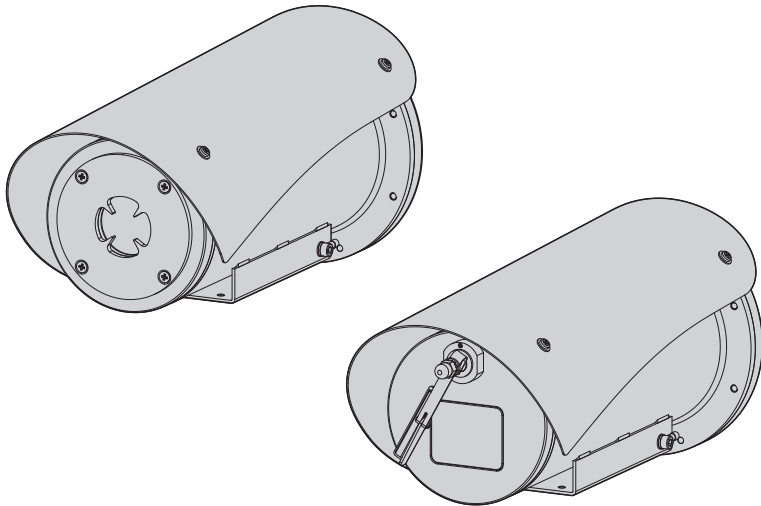
KO 한국어 - 지침 설명서



MAXIMUS MVX, MAXIMUS MVXT, MAXIMUS MVXHD

Ex-proof stainless steel housing

MANUAL A



Contents

1 About this manual	7
1.1 Typographical conventions	7
2 Notes on copyright and information on trademarks	7
3 Safety rules	7
3.1 ATEX-IECEX certificate details	10
3.1.1 Temperature	10
3.1.2 Characteristics of installable cameras	10
3.1.3 Installation instructions	10
3.1.4 Mounting instructions	11
3.1.5 Special conditions for safe use	11
3.1.6 Additional information	11
4 Identification	11
4.1 Product description and type designation	11
4.2 Product marking	12
5 Product coding	14
6 Versions	15
6.1 Tempered glass	15
6.2 Integrated wiper	15
6.3 Germanium window	15
7 Preparing the product for use	16
7.1 Safety precautions before use	16
7.2 Unpacking	17
7.3 Contents	17
7.4 Safely disposing of packaging material	17
7.5 Preparatory work before installation	17
7.5.1 Parapet mounting	18
7.5.2 Bracket mounting	18
7.5.3 Fixing the unit to the pole mount adapter or corner mount adapter	19
7.5.3.1 Fixing with pole mount	19
7.5.3.2 Fixing with corner adapter	19
8 Assembly	20
8.1 Range of use	20
8.2 How to open the housing	20
8.3 Control board description	21
8.4 Connector board description	21
8.5 How to install the camera	22
8.6 Connection of the camera	22
9 Installation	23
9.1 Cable entry	23
9.2 Connection of the connector board	24
9.2.1 Connection of the power supply line	24

9.2.2 Video cable connection.....	25
9.2.2.1 Video cable connection (analog output signal).....	25
9.2.2.2 Video cable connection (IP generic camera)	25
9.2.2.3 Video cable connection (digital output signal).....	25
9.2.3 Signal cable connection.....	25
9.2.3.1 Serial line connection.....	25
9.2.3.2 Relays connection.....	26
9.2.3.3 Wiper connection	26
9.3 Ground connection.....	26
9.4 Closing the housing.....	27
9.5 Sunshield mounting	27
10 Instructions for safe operation.....	28
10.1 Safe operation	28
10.1.1 Commissioning.....	28
10.1.2 Safety rules	28
10.1.3 Explosion prevention rules	28
11 Switching on	29
11.1 Before powering the product in an explosive atmosphere.....	29
12 Maintenance	29
12.1 Fuses replacement.....	30
12.2 Slide replacing.....	30
12.3 Replacing the rear cover plate gasket	30
12.4 Replacement of the wiper blade	30
13 Cleaning	31
13.1 Cleaning the glass.....	31
13.2 Cleaning the germanium window	31
13.3 Cleaning the product.....	31
14 Information on disposal and recycling	32
15 Troubleshooting	32
16 Technical data	33
16.1 MAXIMUS MVX	33
16.1.1 Mechanical	33
16.1.2 Cable glands	33
16.1.3 Housing's window	33
16.1.4 Electrical.....	33
16.1.5 Network	33
16.1.6 Serial communications.....	33
16.1.7 Video.....	33
16.1.8 I/O interface	33
16.1.9 Cameras	34
16.1.10 Environment.....	34
16.1.11 Certifications	34
16.2 MAXIMUS MVXT.....	35
16.2.1 Mechanical	35
16.2.2 Cable glands	35
16.2.3 Housing's window	35

16.2.4 Electrical	35
16.2.5 Network	35
16.2.6 Serial communications.....	35
16.2.7 Video	35
16.2.8 I/O interface	36
16.2.9 Cameras	36
16.2.10 Environment.....	36
16.2.11 Certifications	36
16.3 MAXIMUS MVXHD.....	37
16.3.1 Mechanical	37
16.3.2 Cable glands	37
16.3.3 Housing's window	37
16.3.4 Electrical	37
16.3.5 Video	37
16.3.6 Network	38
16.3.7 I/O interface	38
16.3.8 Cameras	38
16.3.9 Environment	38
16.3.10 Certifications	38
17 Technical drawings	39

1 About this manual

Read all the documentation supplied carefully before installing and using this unit. Keep the manual in a convenient place for future reference.

1.1 Typographical conventions

DANGER!
Explosion hazard.
Read carefully to avoid danger of explosion.

DANGER!
High level hazard.
Risk of electric shock. Disconnect the power supply before proceeding with any operation, unless indicated otherwise.

CAUTION!
Medium level hazard.
This operation is very important for the system to function properly. Please read the procedure described very carefully and carry it out as instructed.

INFO
Description of system specifications.
We recommend reading this part carefully in order to understand the subsequent stages.

2 Notes on copyright and information on trademarks

The mentioned names of products or companies are trademarks or registered trademarks.

3 Safety rules

CAUTION! The external equipotential connections must be set up through the eyelet on the outside of the product. Do not use as a protective terminal.

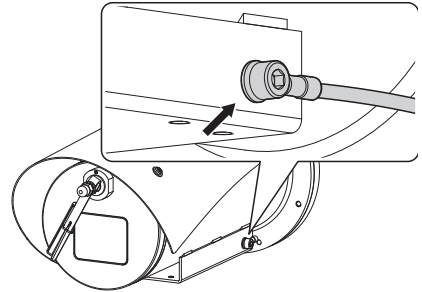


Fig. 1

CAUTION! The electrical system to which the unit is connected must be equipped with a 10A max automatic bipolar circuit breaker. The minimum distance between the circuit breaker contacts must be 3mm (0.1in). The circuit breaker must be provided with protection against the fault current towards the ground (differential) and the overcurrent (magnetothermal).

CAUTION! TNV-1 installation type. The installation is type TNV-1, do not connect it to SELV circuits.

CAUTION! Device installation and maintaining must be performed by specialist technical staff only.

CAUTION! For continued protection against risk of fire, replace only with same type and rating of fuse. Fuses must be replaced only by service personnel.



CAUTION! This device must be connected to an earth conductor (protective earth). The connection must be made only through the internal connection (J7, 8.4 Connector board description, page 21 e 9.2.1 Connection of the power supply line, page 24).

- Read these instructions.
- Keep these instructions.
- Heed all warnings.
- Follow all instructions.
- To reduce the risk of ignition don't open or disconnect the device when a potentially explosive atmosphere is present. Keep the product tightly closed when in operation.
- Installation of this equipment shall be carried out by suitably trained technical personnel in accordance with the applicable code of practice IEC/EN60079-14.
- The temperature of the surfaces of the device is increased by exposure to direct sunlight. The surface temperature class of the device was determined only with ambient ambient temperature, without taking into consideration direct sunlight.
- Choose an installation surface that is strong enough to sustain the weight of the device, also bearing in mind particular environmental aspects, such as exposure to strong winds.
- Since the user is responsible for choosing the surface to which the unit is to be anchored, we do not supply the fixing devices for attaching the unit firmly to the particular surface. The installer is responsible for choosing fixing devices suitable for the specific purpose on hand. Use methods and materials capable of supporting at least 4 times the weight of the device.
- Make sure the appliance is securely anchored before supplying power.
- Equipment intended for installation in Restricted Access Location performed by specialist technical staff.
- The main insulation must be set up externally to the product by a safety transformer and/or an insulated direct current power supply unit.
- To feed the product use a safety transformer and/or a voltage isolated power supply with the appropriate characteristics. The characteristics of output power must not exceed the following values. Supply voltage: 26.4Vac or 26.4Vdc max. Output current: 5A max.
- A power disconnect device must be included in the electrical installation, and it must be very quickly recognizable and operated if needed.
- For technical services, consult only and exclusively authorized technicians.
- The manufacturer declines all responsibility for any damage caused by an improper use of the appliances mentioned in this manual. Furthermore, the manufacturer reserves the right to modify its contents without any prior notice. The documentation contained in this manual has been collected and verified with great care. The manufacturer, however, cannot take any liability for its use. The same thing can be said for any person or company involved in the creation and production of this manual.
- Before starting any operation, make sure the power supply is disconnected.
- Be careful not to use cables that seem worn or old.
- Never, under any circumstances, make any changes or connections that are not shown in this handbook. Improper use of the appliance can cause serious hazards, risking the safety of personnel and of the installation.
- Use only original spare parts. Non-original spare parts could cause fire, electrical discharge or other hazards.
- Before proceeding with installation, check the supplied material to make sure it corresponds to the order specification by examining the identification labels (4.2 Product marking, page 12).

- This device was designed to be permanently secured and connected on a building or on a suitable structure. The device must be permanently secured and connected before any operation.
- Comply with all the national standards during the device installation.
- A power disconnect device must be included in the electrical installation, and it must be very quickly recognizable and operated if needed.
- This is a Class A product. In a domestic environment this product may cause radio interference. In this case the user may be required to take adequate measures.
- Connect the device to a power source corresponding to the indications given on the marking label. Before proceeding with installation make sure that the power line is properly isolated. For devices powered at 24Vac the supply voltage should never exceed the ($\pm 10\%$) limit. For devices powered 12Vdc and 24Vdc the supply voltage should never exceed the ($\pm 5\%$) limit.
- In the case of a 24Vac power supply, you must provide for adequate separation from the AC power supply line using double or reinforced insulation between the main power supply line and the secondary circuit.
- To comply with the main supply voltage dips and short interruption requirements, use a suitable Uninterruptable Power Supply (UPS) to power the unit.
- Make all connections, installation and maintenance work in a non-explosive atmosphere.
- Installation category (also called Overvoltage Category) specifies the level of mains voltage surges that the equipment will be subjected to. The category depends upon the location of the equipment, and on any surge voltage protection provided. Equipment in an industrial environment, directly connected to major feeders/short branch circuits, is subjected to Installation Category III. If this is the case, a reduction to Installation Category II is required. This can be achieved by use of an insulating transformer with an earthed screen between primary and secondary windings, or by fitting UL listed Surge Protective Devices (SPDs) from live to neutral and from neutral to earth. The SPD devices shall be designed for repeated limiting of transient voltage surges and the following rated operation conditions: Type 2 (SPDs permanently connected to the power network and intended for installation on the load side of the service equipment); Nominal Discharge Current (In) 20kA min. For example: FERRAZ SHAWMUT, STT2240SPG-CN, STT2BL240SPG-CN rated 120Vac/240Vac, (In=20kA). Maximum distance between installation and reduction is 5m.
- National deviations for Norway and Sweden: Equipment connected to the protective earthing of the building installation through the mains connection or through other equipment with a connection to protective earthing (and to a cable distribution system using coaxial cable) may in some circumstances create a fire hazard. Connection to a cable distribution system has therefore to be provided through a device providing electrical isolation below a certain frequency range (galvanic isolator, see EN60728-11). In Norway, due to regulation for installations of cable distribution systems, and in Sweden, a galvanic isolator shall provide electrical insulation below 5MHz. The insulation shall withstand a dielectric strength of 1,5kV r.m.s., 50Hz or 60Hz, for 1 min.
- Utstyr som er koplet til beskyttelsesjord via nettplugg og/eller via annet jordtilkoplest utstyr - og er tilkoplest et kabel-TV nett, kan forårsake brannfare. For å unngå dette skal det ved tilkopling av utstyret til kabel-TV nettet installeres en galvanisk isolator mellom utstyret og kabel-TV nettet.

3.1 ATEX-IECEx certificate details

3.1.1 Temperature

The relation between ambient temperature range, gas group and Ex code is as follows:

MARKING DETAILS		
Ambient temperature	ATEX marking	IECEx marking
-60°C ≤ Ta ≤ +65°C	⊕ II 2 G Ex db IIC T5 Gb	Ex db IIC T5 Gb
-50°C ≤ Ta ≤ +65°C	⊕ II 2 D Ex tb IIIC T100°C Db IP66/IP68	Ex tb IIIC T100°C Db IP66/IP68
-60°C ≤ Ta ≤ +55°C	⊕ II 2 G Ex db IIC T6 Gb	Ex db IIC T6 Gb
-50°C ≤ Ta ≤ +55°C	⊕ II 2 D Ex tb IIIC T85°C Db IP66/IP68	Ex tb IIIC T85°C Db IP66/IP68

Tab. 1

3.1.2 Characteristics of installable cameras

CHARACTERISTICS OF INSTALLABLE CAMERAS				
	Consumption		Dimensions (WxHxL)	
	With video encoder IP	Without video encoder IP	With video encoder IP	Without video encoder IP
Housing				
MVX	6W	8W	70mm (2.8in)x65mm (2.6in)x120mm (4.7in)	70mm (2.8in)x65mm (2.6in)x140mm
MVXT	6W	8W	70mm (2.8in)x65mm (2.6in)x120mm (4.7in)	70mm (2.8in)x65mm (2.6in)x140mm
MVXHD	6W	8W	70mm (2.8in)x65mm (2.6in)x100mm	70mm (2.8in)x65mm (2.6in)x140mm

Tab. 2

3.1.3 Installation instructions

All cable connectors/glands shall be ATEX/IECEx certified, as appropriate, in type of explosion protection "db" and/or "tb", rated IP66/IP68, suitable for the conditions of use and correctly installed.

When conduit is used, a suitable ATEX/IECEx certified stopping box shall be used, as appropriate, in type of explosion protection "db" and/or "tb", rated IP66/IP68, suitable for the conditions of use and correctly installed. The stopping box must be fitted within 50mm (1.97in) from the enclosure wall.

Unused cable entries are to be sealed off using closing devices ATEX/IECEx certified, as appropriate, in type of explosion protection "db" and/or "tb", rated IP66/IP68, suitable for the conditions of use and correctly installed.

For ambient temperatures below -10°C (+14°F) use field wiring suitable for minimum ambient temperature.

Cables, cable glands and accessories or other connection elements must be used that are suitable to resist a temperature over: +80°C

3.1.4 Mounting instructions



The housing can be installed in any position.

3.1.5 Special conditions for safe use

- The cameras to be installed shall not be electromagnetic or contain lasers, continuous wave sources or ultrasonic energy radiating equipment.
- The cameras to be installed shall not contain cells or batteries.
- The cameras must have basic geometric shapes.
- The space between the installed camera and the inner surface of the housing window must be as follows: 4mm (0.16in)

3.1.6 Additional information

The product have passed the tests for Ingress Protection in accordance with EN/IEC60529: IP66, IP68.

4 Identification

4.1 Product description and type designation

The MAXIMUS MVX series explosion-proof housing has been designed for use with cameras operating in industrial environments in which there may be an explosive atmosphere due to gas, vapours, mists, or air or powder mixtures.

The MAXIMUS MVX housing are made of micro shot peened AISI 316L stainless steel.

The rear flange incorporates the internal slide where the camera must be positioned, it contains also the internal electronics that manages the power supply and the heating devices of the housing.

The cables must feed in through a threaded 3/4" NPT hole drilled into the bottom of the rear cover plate. The connections must be set up in compliance with IEC/EN60079-14.

The housings of the MAXIMUS MVX family have a weatherproof standard of IP66/IP68 and can be installed according to the following temperatures.

T5: from -60°C (-76°F) up to +65°C (149°F) or from -50°C (-58°F) up to +65°C (149°F)

T6: from -60°C (-76°F) up to +55°C (131°F) or from -50°C (-58°F) up to +55°C (131°F)

4.2 Product marking

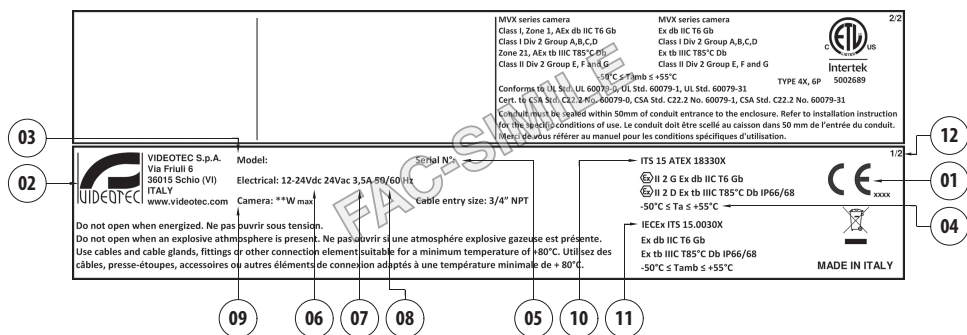


Fig. 2

1. CE mark and number of notified body that carries out production checks.
2. Manufacturer's name and address
3. Model identification code
4. Ambient temperature of use referring to model identification code
5. Serial number (the second and the third digits define the year of manufacture)
6. Supply voltage (V)
7. Current consumption (A)
8. Frequency (Hz)
9. Power consumption camera/lens (W)
10. ATEX certification:
 - ATEX certificate number
 - Classification for zone type, protection method, temperature class for which this product may be used in compliance with the ATEX directive

ATEX MARKING		
Ambient temperature	Gas marking	Dust marking
-60°C to +65°C	⊕ II 2 G Ex db IIC T5 Gb	⊕ II 2 D Ex tb IIIC T100°C Db
-50°C to +65°C		
-60°C to +55°C	⊕ II 2 G Ex db IIC T6 Gb	⊕ II 2 D Ex tb IIIC T85°C Db
-50°C to +55°C		

Tab. 3

11. IECEx certification:

- IECEx certificate number
- Classification for zone type, protection method and temperature class for which this product may be used in compliance with the IECEx standard

IECEx MARKING		
Ambient temperature	Gas marking	Dust marking
-60°C to +65°C	Ex db IIC T5 Gb	Ex tb IIIC T100°C Db
-50°C to +65°C		
-60°C to +55°C	Ex db IIC T6 Gb	Ex tb IIIC T85°C Db
-50°C to +55°C		

Tab. 4

12. The housing may feature additional labels for the markings of other certifications. The labels will be numbered and detailed data on the marking will be reported in an additional document, which will accompany the housing.

5 Product coding

MAXIMUS MVX - PRODUCT CODING														
	Voltage		Camera		Accessories		Connection		Video output		Models		Release	
MVX	2	12Vdc-24Vdc/24Vac	00	Without camera	S	Without accessories	0	Without cable, without cable gland	0	Analog	00	T5 -60°C/+65°C	A	First release
			**	Pre-installed camera	W	With wiper	*	Connection devices	Z	IP H.264	01	T5 -50°C/+65°C		
											02	T6 -60°C/+55°C		
											03	T6 -50°C/+55°C		

Tab. 5

MAXIMUS MVXT - PRODUCT CODING																
	Voltage		Camera		Accessories		Connection		Video output		Models		Release		Thermal camera frequency	
MVXT	2	12Vdc-24Vdc/24Vac	00	Without camera	S	Without accessories	0	Without cable, without cable gland	0	Analog	00	T5 -60°C/+65°C	A	First release	Empty 7.5-8.3Hz	
			**	Pre-installed camera			*	Connection devices	Z	IP H.264	01	T5 -50°C/+65°C	B	Second release	H 25-30Hz	
											02	T6 -60°C/+55°C				
											03	T6 -50°C/+55°C				

Tab. 6

MAXIMUS MVXHD - PRODUCT CODING														
	Voltage		Camera		Accessories		Connection		Video output		Models		Release	
MVXHD	2	12Vdc-24Vdc/24Vac	00	Without camera	S	Without accessories	0	Without cable, without cable gland	0	Without video encoder	00	T5 -60°C/+65°C	A	First release
			**	Pre-installed camera	W	With wiper	*	Connection devices	Z	IP H.264	01	T5 -50°C/+65°C	B	Second release
											02	T6 -60°C/+55°C		
											03	T6 -50°C/+55°C		

Tab. 7

6 Versions

6.1 Tempered glass

The product can be equipped with tempered glass.

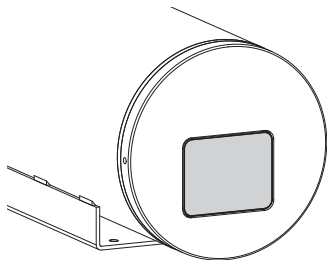


Fig. 3

6.2 Integrated wiper

The product can be equipped with a wiper.

The integrated wiper can be controlled remotely from a keyboard or dry contact.

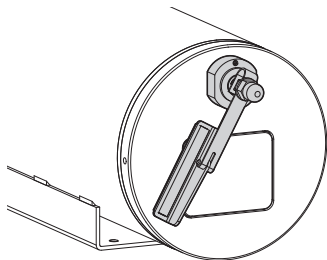


Fig. 4

6.3 Germanium window



When the unit is working the protection grid must always be installed. Failure to follow this instruction may create serious safety hazards for people and for the installation, and will also invalidate the guarantee.

The version with germanium window has been developed for applications with thermal cameras.

This version is fitted with a protective AISI 316L stainless steel grid.

Depending on the chosen camera it is possible to install 2 different germanium windows with their relative grids.

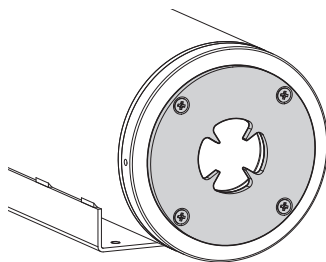


Fig. 5 Small grid.

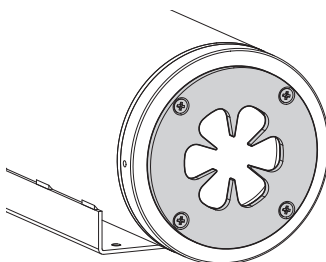


Fig. 6 Big grid.

7 Preparing the product for use



Any change that is not expressly approved by the manufacturer will invalidate both the guarantee and certification.

7.1 Safety precautions before use



Make sure that all the equipment are certified for the application and for the environment in which they will be installed.



Before starting any operation, make sure the power supply is disconnected.



A power disconnect device must be included in the electrical installation, and it must be very quickly recognizable and operated if needed.



Before starting any operation, make sure the power supply is disconnected.



Make connections and tests in the laboratory before carrying out installation on site. Use appropriate tools for the purpose.



Before proceeding with any operations, make sure that the mains voltage is correct.



Given the considerable weight of the system, use an appropriate transport and handling system. It is recommended, to assigned staff, to carry out operation observing the common rules of accident prevention.

If the device comes into contact with harsh substances, it is the responsibility of the user to take suitable precautions to prevent damage and not compromise the type of protection.

- **Aggressive substances:** Acidic liquids or gases that may attack metals, or solvents that may affect polymeric materials.
- **Suitable precautions:** Regular checks as part of routine inspections or establishing from the material's data sheet that it is resistant to specific chemicals.

It is the responsibility of the end users to make sure that the materials used to build the product are suitable for the intended installation site. If in doubt, contact the manufacturer.

7.2 Unpacking

When the product is delivered, make sure that the package is intact and that there are no signs that it has been dropped or scratched.

If there are obvious signs of damage, contact the supplier immediately.

When returning a faulty product we recommend using the original packaging for shipping.

Keep the packaging in case you need to send the product for repairs.

7.3 Contents

Check the contents to make sure they correspond with the list of materials as below:

- Ex-proof housing
- Spacer and screws for mounting the sunshield
- Documentation
- Cable tie
- Silicone sheath
- O-ring replacement part kit
- Instruction manuals
- Sunshield
- Bolts and screws (support assembly)

7.4 Safely disposing of packaging material

The packaging material can all be recycled. The installer technician will be responsible for separating the material for disposal, and in any case for compliance with the legislation in force where the device is to be used.

7.5 Preparatory work before installation



Use appropriate tools for the installation. The particular nature of the site where the device is to be installed may mean special tools are required for installation.



The installer must ensure the earth continuity between the product and the system.



Choose an installation surface that is strong enough to sustain the weight of the device, also bearing in mind particular environmental aspects, such as exposure to strong winds.



Make sure the appliance is securely anchored before supplying power.



CAUTION! Device installation and maintaining must be performed by specialist technical staff only.



For technical services, consult only and exclusively authorized technicians.



Since the user is responsible for choosing the surface to which the unit is to be anchored, we do not supply the fixing devices for attaching the unit firmly to the particular surface. The installer is responsible for choosing fixing devices suitable for the specific purpose on hand. In general use methods and materials capable of supporting at least four times the weight of the device.

It is possible to install the unit with several brackets.

We strongly recommend using only approved brackets and accessories during installation.

7.5.1 Parapet mounting

First of all secure the base of the adapter to the final destination. Use screws that can bear at least 4 times the weight of the unit.

Apply a generous amount of thread locking compound (Loctite 270).

Tighten the screws.

The thread compound must cure for one hour, allow for this period prior to completing the installation.

It's possible to secure the base (01) to the column adapter NXFWBT using 4 countersunk screws (02) provided.

Secure the joint (03) to the base through nuts and washers supplied.

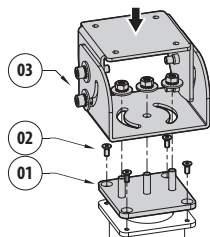


Fig. 7

Fasten the housing at the junction with the screws and washers provided.

Apply a generous amount of thread locking compound (Loctite 270).

Tighten the screws.

Pay attention to the fixing. Tightening torque: From 6Nm up to 8Nm.

The thread compound must cure for one hour, allow for this period prior to completing the installation.

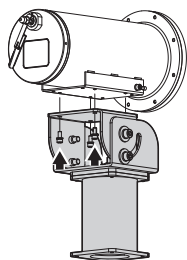


Fig. 8

7.5.2 Bracket mounting

The bracket can be fixed to the vertical wall. Use screws and wall fixing devices that can bear at least four times the weight of the unit.

To fix the device to the bracket, use 4 plane washers, 4 stainless steel grower washer, 4 socket head stainless steel screw provided.

Make sure the thread are free of dirt and debris.

Apply a generous amount of thread locking compound (Loctite 270) on the 4 screws.

Tighten the screws.

The thread compound must cure for one hour, allow for this period prior to completing the installation.

Pay attention to the fixing. Tightening torque: From 6Nm up to 8Nm.

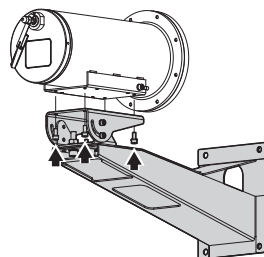


Fig. 9

7.5.3 Fixing the unit to the pole mount adapter or corner mount adapter

To install the product on a pole or at a wall corner, first of all fix the unit to the wall bracket (7.5.2 Bracket mounting, page 18).

7.5.3.1 Fixing with pole mount

Fix the wall bracket to the pole mount adapter using 4 washers, 4 stainless steel grower washer and 4 hexagon stainless steel bolts (A4 class 70) M10x30mm.

Make sure the thread are free of dirt and debris.

Apply a generous amount of threadlocker (Loctite 270) on the 4 threaded holes on the pole mount adapter.

Tighten the screws.

⚠ Pay attention to the fixing. Tightening torque: 35Nm.

The thread compound must cure for one hour, allow for this period prior to completing the installation.

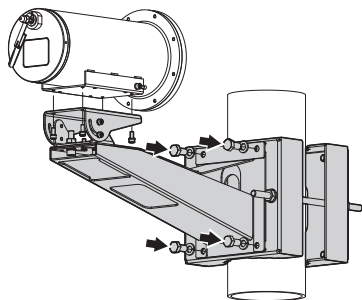


Fig. 10

7.5.3.2 Fixing with corner adapter

Fix the wall bracket to the corner mount adapter using 4 washers, 4 stainless steel grower washers 4 hexagon stainless steel bolts (A4 class 70) M10x30mm.

Make sure the thread are free of dirt and debris.

Apply a generous amount of threadlocker (Loctite 270) on the 4 threaded holes on the corner module.

Tighten the screws.

⚠ Pay attention to the fixing. Tightening torque: 35Nm.

The thread compound must cure for one hour, allow for this period prior to completing the installation.

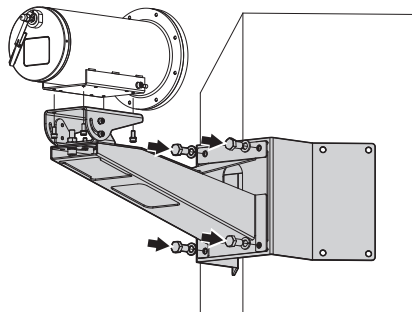





Fig. 11

8 Assembly

 **Make all connections, installation and maintenance work in a non-explosive atmosphere.**

 **Make sure that all the equipment are certified for the application and for the environment in which they will be installed.**

 **CAUTION! The electrical system to which the unit is connected must be equipped with a 10A max automatic bipolar circuit breaker. The minimum distance between the circuit breaker contacts must be 3mm (0.1 in). The circuit breaker must be provided with protection against the fault current towards the ground (differential) and the overcurrent (magnetothermal).**

 **Electrical connections must be performed with the power supply disconnected and the circuit-breaker open.**


 **A power disconnect device must be included in the electrical installation, and it must be very quickly recognizable and operated if needed.**


 **Be careful not to use cables that seem worn or old.**

 **CAUTION! Device installation and maintaining must be performed by specialist technical staff only.**

 **Comply with all the national standards during the device installation.**

 **The housing can be installed in any position.**

 **The cameras to be installed shall not contain cells or batteries.**

 **VIDEOTEC strongly recommend to test the device configuration and performance before putting it in the final installation site.**

8.1 Range of use

The unit is designed for use in a fixed location, for surveillance of areas classified as zone 1-21 and zone 2-22 with potentially explosive atmospheres.

The unit has been built and certified in compliance with directive 2014/34/UE and with the international standards IECEx, which define its range of application and minimum safety requirements.

8.2 How to open the housing


 **During product opening and closing operations, be careful not to damage the explosion proof joint.**

To install the camera open the rear flange of the enclosure.

Take out the screws, remove the washers and take the bottom out of the housing.

Screws properties

- Diameter/Screw pitch: M5x0.8
- Material: A4 Class 70
- Screw head: ISO 4762
- Length: 12mm (0.47in)
- Yield stress (min): 450N/mm²

 **Be very careful when opening the version with built-in wiper. Take the slide out slowly to avoid damaging the connections. Disconnect the connectors before taking the slide out completely.**

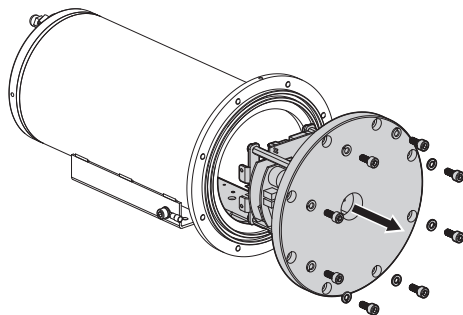


Fig. 12

8.3 Control board description

BOARD DESCRIPTION	
Connector/ Terminal	Function
J1	Power supply line/Video signal (analog camera)
J2	Wiper sensors
J3	Relays and alarm (camera)
J4	Power supply line (blower)
J5	Power supply line (wiper)
J6	Power supply line (camera)
DIP1	Serial line configuration

Tab. 8

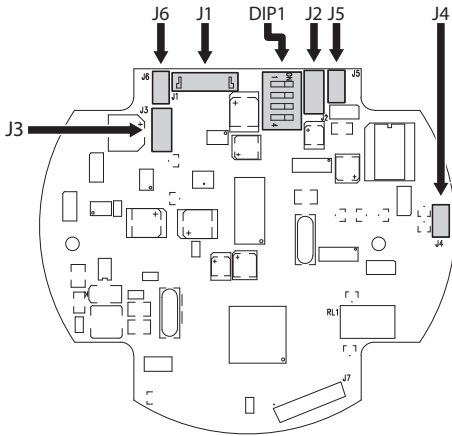


Fig. 13

8.4 Connector board description

BOARD DESCRIPTION	
Connector/ Terminal	Function
J1	Video output (digital)
J5	Video output (camera)
J6	Power supply line (IP video encoder)
J7	Power supply line (housing)
J8	Video output (analogic)
J11	Relay, alarms, serial line, factory default
J12	Signal cables (IP video encoder)
J13	Camera power supply
FUS1	Fuse

Tab. 9

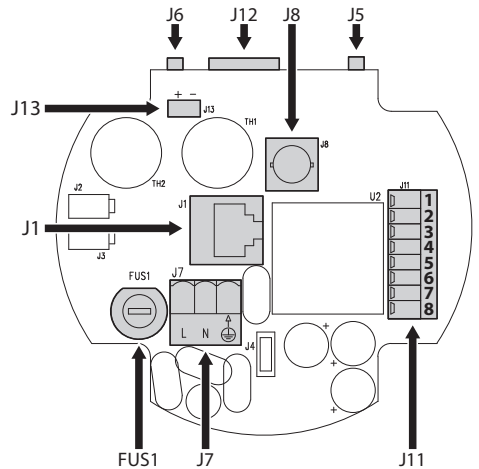


Fig. 14

8.5 How to install the camera

⚠ The cameras to be installed shall not contain cells or batteries.

⚠ For additional information on installable cameras, refer to the relative chapter (3.1.2 Characteristics of installable cameras, page 10).

Mount the camera/lens on the inner slide so that the mounting height allows a perfect view through the window.

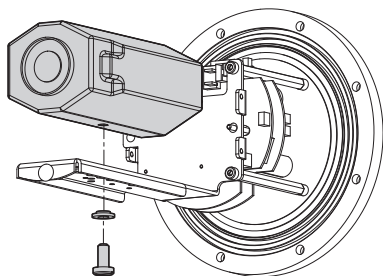


Fig. 15

Minimum installation distance between the camera and the housing glass: 4mm (0.16in) (the distance is the edge of the slide).

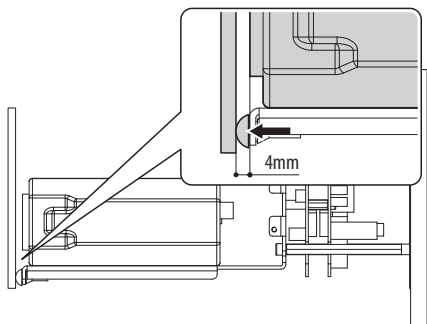


Fig. 16

8.6 Connection of the camera

CONNECTION OF THE CAMERA			
Version	Power supply	Video signal	Communication lines
Generic IP version	J13 (connectors board)	Camera connector/ Direct connection to the camera	-
Analog version/ Digital SD version	J1 (control board)	J1 (control board)	J1 (control board)
Digital HD version	J6 (control board)	J12 (connectors board)	J12 (connectors board)

Tab. 10

i The IP version video signal cable is connected directly to the camera.

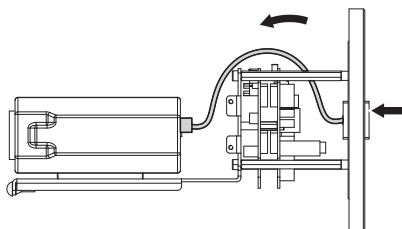





Fig. 17

9 Installation

 Do not open the device when powered and in explosive atmosphere.


 Make all connections, installation and maintenance work in a non-explosive atmosphere.

 Make sure that all the equipment are certified for the application and for the environment in which they will be installed.

 **CAUTION!** The electrical system to which the unit is connected must be equipped with a 10A max automatic bipolar circuit breaker. The minimum distance between the circuit breaker contacts must be 3mm (0.1 in). The circuit breaker must be provided with protection against the fault current towards the ground (differential) and the overcurrent (magnetothermal).


 Electrical connections must be performed with the power supply disconnected and the circuit-breaker open.

 A power disconnect device must be included in the electrical installation, and it must be very quickly recognizable and operated if needed.


 Be careful not to use cables that seem worn or old.


 **CAUTION!** Device installation and maintaining must be performed by specialist technical staff only.

 Comply with all the national standards during the device installation.

 The housing can be installed in any position.

 All disconnected wires must be electrically isolated.

 The cameras to be installed shall not contain cells or batteries.

 **VIDEOTEC strongly recommend to test the device configuration and performance before putting it in the final installation site.**

9.1 Cable entry

To prevent the spread of flames or explosions from the unit to the conduit system or cable gland to the external environment, use connection in conformity with IEC/EN60079-14.

Non-sheathed single cores shall not be used, unless they are installed inside conduit systems.

All cable glands shall be ATEX/IECEx certified, as appropriate, in type of explosion protection "db" and/or "tb", rated IP66/IP68, suitable for the conditions of use and correctly installed.

It is compulsory to install a resin-treated device between the housing and the safe area (barrier cable gland or stopping box).

When conduit is used, a suitable ATEX/IECEx certified stopping box shall be used, as appropriate, in type of explosion protection "db" and/or "tb", rated IP66/IP68, suitable for the conditions of use and correctly installed. The stopping box must be fitted within 50mm (1.97in) from the enclosure wall.

9.2 Connection of the connector board

9.2.1 Connection of the power supply line

! Electrical connections must be performed with the power supply disconnected and the circuit-breaker open.

! When commencing installation make sure that the specifications for the power supply for the installation correspond with those required by the device.

! CAUTION! TNV-1 installation type. The installation is type TNV-1, do not connect it to SELV circuits.

! Check that the power supply socket and cable are adequately dimensioned.

! Protective earth connections, use suitable cable sections: 2.5mm² (13AWG).

CONNECTION OF THE POWER SUPPLY LINE

Colour	Terminals
Power supply 24Vac/24Vdc/12Vdc	
Defined by the installer	~/+
Defined by the installer	~/-
Yellow/Green	⊕

Tab. 11

The power supply cables must be connected to the connector board power supply terminal, being careful when fixing the ground cable (J7, 8.4 Connector board description, page 21).

! Earth cable should be about 10mm longer than the other two, so that it will not be disconnected accidentally if pulled.

! The power supply cable must be covered by the silicone sheath (01) supplied. The silicone sheath must be fastened with the corresponding cable tie (02).

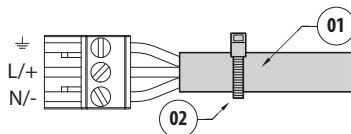


Fig. 18

In relation to the type of power supply, comply with the maximum lengths for the power supply cables set forth in the table.

CABLES SPECIFICATIONS		
Cable section	Supply voltage	Maximum cable length
1mm ² (17AWG)	12Vdc	5m (16ft)
	24Vdc	15m (49.2ft)
	24Vac	30m (98ft)
1.5mm ² (16AWG)	12Vdc	7m (23ft)
	24Vdc	25m (82ft)
	24Vac	45m (147.6ft)
2.5mm ² (13AWG)	12Vdc	15m (49.2ft)
	24Vdc	40m (131ft)
	24Vac	80m (262ft)

Tab. 12

9.2.2 Video cable connection

⚠ CAUTION! In order to reduce the risk of fire, only use cables with sections greater than or equal to 0.14mm² (26AWG).

We suggest the following coaxial cables:

- RG59
- RG174A/U UL1354

Use of Ethernet cables with the following characteristics is highly recommended:

- STP (shielded)
- Category 5E (or higher)

9.2.2.1 Video cable connection (analog output signal)

The video cable leading out of the housing must be connected to the analog video output (J8, 8.4 Connector board description, page 21).

9.2.2.2 Video cable connection (IP generic camera)

i Do not connect RS-485 cable and the video cable when using an IP camera.

The Ethernet network cable leading out of the housing must be connected directly to the generic IP camera.

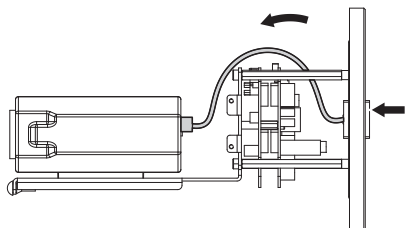


Fig. 19

9.2.2.3 Video cable connection (digital output signal)

i Do not connect RS-485 cable and the video cable when using an IP camera.

The Ethernet network cable leading out of the housing must be connected to the digital video output (J1, 8.4 Connector board description, page 21).

9.2.3 Signal cable connection

⚠ CAUTION! TNV-1 installation type. The installation is type TNV-1, do not connect it to SELV circuits.

i Use a shielded multipolar cable. Connect the braiding of the shielded cable to terminal 8 (J11, Tab. 13, page 25).

The output signal cables must be connected to the connector for the relays, alarms, serial line, factory default (J11, 8.4 Connector board description, page 21).

DESCRIPTION OF THE TERMINAL (J11)	
Terminal contacts	Function
1	RS-485 A (+)
2	RS-485 B (-)
3	Relay 1, Terminal A
4	Relay 1, Terminal B
5	Digital input
6	GND
7	Reset
8	Shield

Tab. 13

9.2.3.1 Serial line connection

The product has an RS-485 serial communication line, Half-duplex, Internally terminated (switch 4 of the DIP1 is positioned by default ON).

The setting may need to be changed for analogue camera versions. Position switch 4 of the DIP1 OFF to configure line RS-485 as Not terminated internally (8.3 Control board description, page 21).

Connect the serial line to the relay connector, alarms, serial line, factory default (J11, terminal 1/terminal 2, 8.4 Connector board description, page 21).

9.2.3.2 Relays connection



The relay is usable with the specifications described below. Working voltage: up to 30Vac or 60Vdc. Current: 1A max. Use suitable cable sections with the following characteristics: from 0.25mm² (24AWG) up to 1.5mm² (16AWG).

Due to the absence of polarity, both terminals of the same relay can be used equally with either alternating or continuous current.

The clean contact is NO (normally open).

9.2.3.3 Wiper connection

The wiper can be operated remotely using an NO (normally open) dry contact. Connect the clean contact cables to the connector of relay, alarms, serial line, factory default (J11, terminal 5/terminal 6, 8.4 Connector board description, page 21).

For the version with built-in wiper, connect the wiring to the sensor connectors and the wiper power supply line connectors (J2, J5, 8.3 Control board description, page 21).

9.3 Ground connection



CAUTION! The external equipotential connections must be set up through the eyelet on the outside of the product. Do not use as a protective terminal.

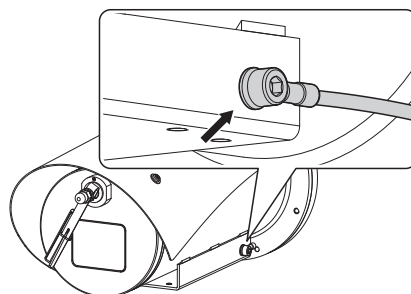


Fig. 20

The unit must be connected with an equipotential bonding to the earth with an external cable having the following minimum section: 4mm² (11AWG).

Connect the earth equipotential bonding cable with the provided eyelet. Suitable for cables: from 4mm² up to 6mm².

Fasten the eyelet using the screw (M5) and the toothed washer supplied.

Characteristics of the screw (M5)

- Material: A4 Class 70
- Screw head: ISO 4762
- Length: 12mm (0.47in)

The equipotential earth connection is necessary for carrying out additional connections required by law.

9.4 Closing the housing

! Test system operation for positive results before closing the product and allowing the presence of a dangerous atmosphere.

! During product opening and closing operations, be careful not to damage the explosion proof joint.

! Before closing the rear flange verify the integrity of the o-ring gasket. If the sealing is damaged replace it with the one supplied.

i In the integrated wiper version connect the wiring before closing the housing (J2, J5, 8.3 Control board description, page 21).

Verify that there is no dirt or debris.

Arrange the cables so that there is no interference during the back cover closure.

Insert the rear flange if the housing body having aligned holes in between the two parts.

! Be very careful not to damage the o-ring gasket.

Tighten the screws and the washers previously removed.

Screws properties

- Diameter/Screw pitch: M5x0.8
- Material: A4 Class 70
- Screw head: ISO 4762
- Length: 12mm (0.47in)
- Yield stress (min): 450N/mm²

! The screws must always be fixed using the provided washers.

! Pay attention to the fixing. Tightening torque: From 8Nm up to 9Nm.

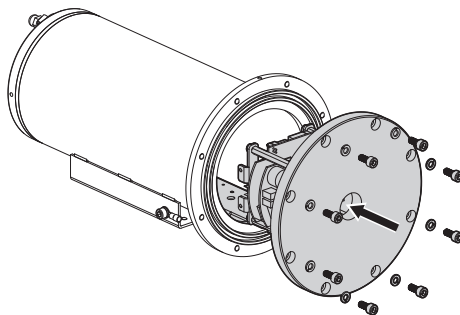


Fig. 21

9.5 Sunshield mounting

i Remove the protective film before the sunshield installation (if present).

You can fix the sunshield to the housing using the screws supplied.

Apply a generous amount of thread locking compound (Loctite 270) into the threaded holes in the base of the device.

The thread compound must cure for one hour, allow for this period prior to completing the installation.

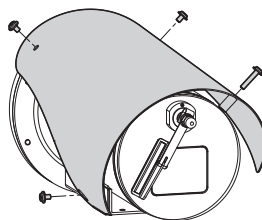


Fig. 22

10 Instructions for safe operation

10.1 Safe operation



Before proceeding with the following operations, make sure that the mains voltage is correct.

10.1.1 Commissioning

Read the whole of this user's handbook very carefully before starting the installation.

VIDEOTEC strongly recommend to test the device configuration and performance before putting it in the final installation site. Use appropriate tools for the purpose.

Test system operation for positive results before closing the product and allowing the presence of a dangerous atmosphere.

Make sure that all the devices are certified for the application and for the environment in which they will be installed.

To reduce the risk of ignition don't open the device when a potentially explosive atmosphere is present.

After commissioning the system keep this handbook in a safe place, available for later consultation.

10.1.2 Safety rules

Make sure that all precautions for personal safety have been taken.

Before starting any operation, make sure the power supply is disconnected.

Before powering the system, install an overload protection device in the electrical equipment for the building.

Installation of the electrical equipment must comply with the local legislation in force.

The device must be installed only and exclusively by qualified technical personnel.

10.1.3 Explosion prevention rules

Use appropriate tools for the area in which you are working.

Always remember that the device must be connected to an appropriate earth conductor.

Before doing any technical work or maintenance on the device, make sure that potentially explosive atmosphere is not present.

Before starting any operation, make sure the power supply is disconnected.

Do not open any kind of cap if there is a possibility of your being in a potentially explosive atmosphere.


- Make all connections, installation and maintenance work in a non-explosive atmosphere.


11 Switching on

The unit is switched on by connecting the power supply.


To switch off the unit disconnect the power.


11.1 Before powering the product in an explosive atmosphere

 **Make sure that the unit and other components of the installation are closed so that it is impossible to come into contact with live parts.**

 **Make sure that the device has been connected to an earth link as described.**

 **Ensure the rear cover plate is correctly closed.**

 **Ensure that the sealing of cable entry systems (if any) has been performed properly and the time of glue hardening has been observed.**


 **Make sure that all parts are fastened down firmly and safely.**


12 Maintenance


 **Before doing any technical work or maintenance on the device, make sure that potentially explosive atmosphere is not present.**


 **CAUTION! Device installation and maintaining must be performed by specialist technical staff only.**


 **Before doing any technical work on the device, disconnect the power supply.**

 **The manufacturer declines all liability for damage to any of the apparatus mentioned in this handbook, when resulting from tampering, use of non-original spare parts, installation, maintenance and repairs performed by non-authorized, non-skilled personnel.**

 **For damage to any parts, repair or replacement must be done by, or under supervision of VIDEOTEC.**

 **Whenever replacing the parts as indicated, always use VIDEOTEC original spare parts and meticulously follow the maintenance instructions supplied with every spare parts kit.**

 **Contact the manufacturer for information on the dimensions of the explosion proof joint.**

 **For all maintenance interventions, we recommend you return the product to the laboratory that will perform all required operations.**

When contacting VIDEOTEC for assistance please provide the serial number and the identification code of the device.

12.1 Fuses replacement



CAUTION! For continued protection against risk of fire, replace only with same type and rating of fuse. Fuses must be replaced only by service personnel.

The used fuse is described below.

FUSES REPLACEMENT	
Supply voltage	Fuse (FUS1)
12Vdc	T 2A H 250V 5x20
24Vdc	T 2A H 250V 5x20
24Vac, 50/60Hz	T 2A H 250V 5x20

Tab. 14

As an alternative, use an approved fuse featuring the same characteristics.

It is necessary to loosen the screws that secure the slide to the spacers on the bottom and disconnect the connectors from the board.

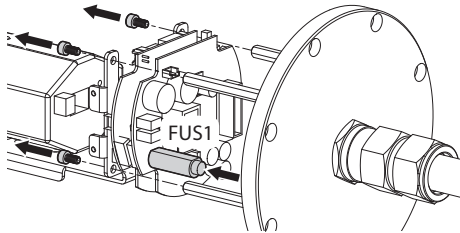
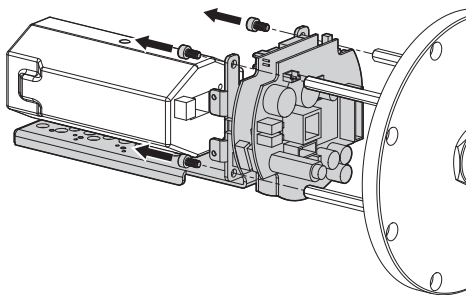


Fig. 23

12.2 Slide replacing



It is necessary to loosen the screws that secure the slide to the spacers on the bottom and disconnect the connectors from the board.

Fig. 24

12.3 Replacing the rear cover plate gasket

In the event of o-ring gasket deterioration replace it using the gasket supplied. In the absence of the gasket provided, only use VIDEOTEC original spare parts.

Replace the gasket being careful to insert it correctly into its housing.

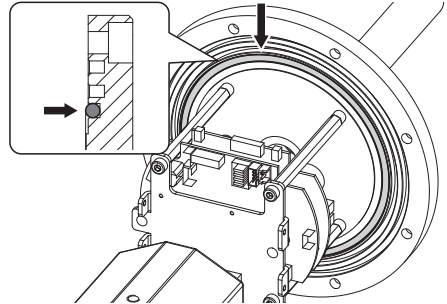


Fig. 25

12.4 Replacement of the wiper blade

In models equipped with a wiper, the worn blades can be replaced.

Unscrew the rivet nut fastening the blade and remove it. Replace the worn blade with a new one. Re-position the rivet nut adjusting fastening until the blade correctly adheres to the glass. Activate the wiper to check the blade is correctly adjusted.

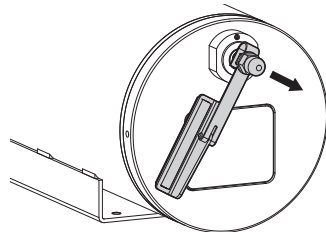


Fig. 26

13 Cleaning

i Frequency will depend on the type of environment in which the product is used.

13.1 Cleaning the glass

The product must be cleaned with water or with another liquid detergent that does not create a hazard.

13.2 Cleaning the germanium window

! When the unit is working the protection grid must always be installed. Failure to follow this instruction may create serious safety hazards for people and for the installation, and will also invalidate the guarantee.

! Avoid ethyl alcohol, solvents, hydrogenated hydrocarbide, strong acid and alkali. Such products may irreparably damage the surface.

! Cleaning the window take care not to scratch or damage the outer surface treated with carbon coating. Damage to this coating could also interfere with the transparency of the surface to infrared light.

Cleaning should be done with mild soap diluted with water.

Remove the protective grid unscrewing the screws and washers on the front of the enclosure using a spark-proof tool.

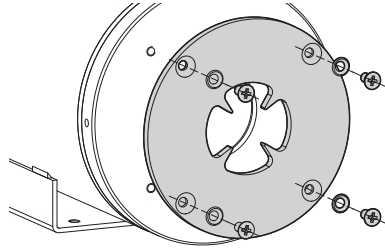


Fig. 27 Small grid.

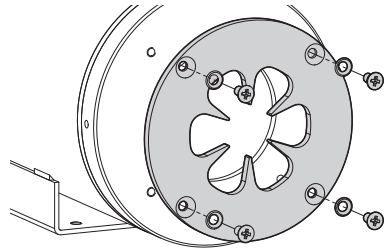


Fig. 28 Big grid.

After the cleaning, mount the protection grid with its screws and washers.

13.3 Cleaning the product

! The outside surface of the product must never be covered in more than 5 mm of dust.

The device should be cleaned using a damp cloth; compressed air must not be used.

14 Information on disposal and recycling

The European Directive 2012/19/EU on Waste Electrical and Electronic Equipment (WEEE) mandates that these devices should not be disposed of in the normal flow of municipal solid waste, but they should be collected separately in order to optimize the recovery stream and recycling of the materials that they contain and to reduce the impact on human health and the environment due to the presence of potentially hazardous substances.



The symbol of the crossed out bin is marked on all products to remember this.

The waste may be delivered to appropriate collection centers, or may be delivered free of charge to the distributor where you purchased the equipment at the time of purchase of a new equivalent or without obligation to a new purchase for equipment with size smaller than 25cm .

For more information on proper disposal of these devices, you can contact the responsible public service.

15 Troubleshooting



Contact an authorized support centre if the problems listed below persist or you have any other issues that are not described here.

PROBLEM	The product does not go on.
CAUSE	Wrong cabling, broken fuse.
SOLUTION	Make sure the connections are correct. Check continuity of the fuse and, if faulty, replace it with the indicated model.
PROBLEM	The wiper is frozen and unresponsive to commands.
CAUSE	The wiper is either jammed or broken.
SOLUTION	Check that the wiper is free to move. Make sure the wiper cables are not disconnected or damaged.

16 Technical data

16.1 MAXIMUS MVX

16.1.1 Mechanical

Sunshield

Integrated wiper

Unit weight:

- 6kg (13.3lb) (housing only)
- 8.5kg (18.7lb) (housing with 4m (13ft) multi-polar cable shield)
- 12kg (26.5lb) (housing with 10m multi-polar cable shield)

16.1.2 Cable glands

Cable entry: 1 hole, 3/4", NPT

Cable gland Ex db 3/4"NPT and 4m/10m (13ft/33ft) preinstalled multipolar armored cable or with 4m/10m (13ft/33ft) cable tail (for installation with conduit, conduit sealing fitting and conduit not included)

16.1.3 Housing's window

Material: Thermally tempered glass

- Dimensions: 51x41mm (2x1.6in)
- Thick: 12mm (0.47in)

16.1.4 Electrical

Supply voltage/Current consumption (heating switched on, Ton 15°C±3°C (59°F ±5°F), Toff 22°C±3°C (72°F±5°F)):

- 24Vac ±10%, 2.2A, 50/60Hz
- 24Vdc ±5%, 2.2A
- 12Vdc ±5%, 3.5A

16.1.5 Network

Ethernet connection (only for the IP versions of the product): 10BASE-T/100BASE-T

Connector: RJ45

Cable length: 100m max

16.1.6 Serial communications

Serial interface

- RS-485 line, half-duplex
- Cable length: 1200m max
- Addressable units: 255 (configuration via OSM)

Serial communication protocol

- PANASONIC 850: 9600baud, 19200baud
- PELCO D: 2400baud, 9600baud
- VIDEOTEC MACRO: 9600baud, 38400baud

16.1.7 Video

Video encoder

- Communication protocol: ONVIF, Profile S
- Device configuration: TCP/IPv4-IPv6, UDP/IPv4-IPv6, HTTP, NTP, DHCP, WS-DISCOVERY, QoS, IGMP (Multicast)
- Streaming: RTSP, RTCP, RTP/IPv4
- Video compression: H.264/AVC, MJPEG
- Independent video streams: 2
- Image resolution: from Full D1 (720x576 for PAL, 720x480 for NTSC) to 352x240
- Web Server

16.1.8 I/O interface

I/O alarm board

- Alarm inputs: 1
- Relay outputs: 1 (1A, 30Vac/60Vdc max)

Cable length: 200m (656ft) max

Version with integrated wiper

- Remote wiper activation: 1 input, dry contact NO

16.1.9 Cameras

Power consumption (assembly, camera and lens)

- Without video encoder IP: 8W
- With video encoder IP: 6W

Minimum distance between camera and housing's window: 4mm (0.16in)

Cameras dimensions/Lenses that can be installed (WxHxL)

- Without video encoder: 70x65x140mm (2,6x2,5x5,5in)
- With video encoder: 70mmx65mmx120mm

16.1.10 Environment

For installation indoors and outdoors

Operating temperature:

- Cold start from -40°C (-40°F) up to +65°C (149°F)
- Running from -50°C (-58°F) up to +65°C (149°F)

Relative humidity: from 10% up to 95% (no condensation)

16.1.11 Certifications

ATEX (EN 60079-0: 2012, EN 60079-1: 2014, EN 60079-31: 2014)

- Ⓜ II 2 G Ex db IIC T5 Gb
- Ⓜ II 2 D Ex tb IIIC T100°C Db IP66/IP68
-60°C ≤ Ta ≤ +65°C
- Ⓜ II 2 G Ex db IIC T5 Gb
- Ⓜ II 2 D Ex tb IIIC T100°C Db IP66/IP68
-50°C ≤ Ta ≤ +65°C
- Ⓜ II 2 G Ex db IIC T6 Gb
- Ⓜ II 2 D Ex tb IIIC T85°C Db IP66/IP68
-60°C ≤ Ta ≤ +55°C
- Ⓜ II 2 G Ex db IIC T6 Gb
- Ⓜ II 2 D Ex tb IIIC T85°C Db IP66/IP68
-50°C ≤ Ta ≤ +55°C

IECEX (IEC 60079-0: 2011 Ed.6, IEC 60079-1: 2014-06 Ed.7, IEC 60079-31: 2013 Ed.2)

- Ex db IIC T5 Gb
- Ex tb IIIC T100°C Db IP66/IP68
-60°C ≤ Ta ≤ +65°C
- Ex db IIC T5 Gb
- Ex tb IIIC T100°C Db IP66/IP68
-50°C ≤ Ta ≤ +65°C
- Ex db IIC T6 Gb
- Ex tb IIIC T85°C Db IP66/IP68
-60°C ≤ Ta ≤ +55°C
- Ex db IIC T6 Gb
- Ex tb IIIC T85°C Db IP66/IP68
-50°C ≤ Ta ≤ +55°C

TYPE 6P, TYPE 4X (UL50E)

IP69 (EN/IEC60529), housing only

IP66/IP67/IP68 (2 hours, 5m (16ft), EN/IEC60529)

16.2 MAXIMUS MVXT

16.2.1 Mechanical

Sunshield

Unit weight:

- 6kg (13.3lb) (housing only)
- 8.5kg (18.7lb) (housing with 4m (13ft) multi-polar cable shield)
- 12kg (26.5lb) (housing with 10m multi-polar cable shield)

16.2.2 Cable glands

Cable entry: 1 hole, 3/4", NPT

Cable gland Ex db 3/4"NPT and 4m/10m (13ft/33ft) preinstalled multipolar armored cable or with 4m/10m (13ft/33ft) cable tail (for installation with conduit, conduit sealing fitting and conduit not included)

16.2.3 Housing's window

Germanium window (big grid)

- Usable diameter: 57mm
- Thick: 10mm (0.4in)
- External treatment: antiscratch (Hard Carbon Coating - DLC), antireflection
- Internal treatment: antireflection
- Spectral range: from 7.5µm up to 14µm
- Medium transmittance (from 7.5µm up to 11.5µm): 87.3%
- Medium transmittance (from 11.5µm up to 14µm): 67.3%

Germanium window (small grid)

- Usable diameter: 40mm (1.6in)
- Thick: 8mm (0.3in)
- External treatment: antiscratch (Hard Carbon Coating - DLC), antireflection
- Internal treatment: antireflection
- Spectral range: from 7.5µm up to 14µm
- Medium transmittance (from 7.5µm up to 11.5µm): 87.5%
- Medium transmittance (from 11.5µm up to 14µm): 72.1%

16.2.4 Electrical

Supply voltage/Current consumption (heating switched on, Ton 15°C±3°C (59°F ±5°F), Toff 22°C±3°C (72°F±5°F)):

- 24Vac ±10%, 2.2A, 50/60Hz
- 24Vdc ±5%, 2.2A
- 12Vdc ±5%, 3.5A

16.2.5 Network

Ethernet connection (only for the IP versions of the product): 10BASE-T/100BASE-T

Connector: RJ45

Cable length: 100m max

16.2.6 Serial communications

Serial interface

- RS-485 line, half-duplex
- Cable length: 1200m max
- Addressable units: 255 (configuration via OSM)

Serial communication protocol

- PANASONIC 850: 9600baud, 19200baud
- PELCO D: 2400baud, 9600baud
- VIDEOTEC MACRO: 9600baud, 38400baud

16.2.7 Video

i To identify the video encoder model installed, you need to compare the product code on the marking label with the coding table (5 Product coding, page 14). The Edition column allows you to identify the model (A or B).

Video encoder (Release A)

- Communication protocol: ONVIF, Profile S
- Device configuration: TCP/IPv4-IPv6, UDP/IPv4-IPv6, HTTP, NTP, DHCP, WS-DISCOVERY, QoS, IGMP (Multicast)
- Streaming: RTSP, RTCP, RTP/IPv4
- Video compression: H.264/AVC, MJPEG
- Independent video streams: 2
- Image resolution: from Full D1 (720x576 for PAL, 720x480 for NTSC) to 352x240
- Web Server

Video encoder (Release B)

- Communication protocol: ONVIF, Profile S and Profile Q
- Streaming: RTSP, RTCP, RTP/IPv4, Multicast
- Video compression: H.264/AVC, MJPEG, MPEG4, JPEG
- Up to 3 simultaneous video streams
- Image resolution: from Full D1 (720x576 for PAL, 720x480 for NTSC) to 352x240
- Selectable frame rate from 1 to 60 images per second (fps)
- Web Server

16.2.8 I/O interface

I/O alarm board

- Alarm inputs: 1
- Relay outputs: 1 (1A, 30Vac/60Vdc max)

Cable length: 200m (656ft) max

16.2.9 Cameras

Power consumption (assembly, camera and lens)

- Without video encoder IP: 8W
- With video encoder IP: 6W

Minimum distance between camera and housing's window: 4mm (0.16in)

Cameras dimensions/Lenses that can be installed (WxHxL)

- Without video encoder: 70x65x140mm (2,6x2,5x5,5in)
- With video encoder: 70mmx65mmx120mm

16.2.10 Environment

For installation indoors and outdoors

Operating temperature:

- Cold start from -40°C (-40°F) up to +65°C (149°F)
- Running from -50°C (-58°F) up to +65°C (149°F)

Relative humidity: from 10% up to 95% (no condensation)

16.2.11 Certifications

ATEX (EN 60079-0: 2012, EN 60079-1: 2014, EN 60079-31: 2014)

- ⊕ II 2 G Ex db IIC T5 Gb
- ⊕ II 2 D Ex tb IIIC T100°C Db IP66/IP68
-60°C ≤ Ta ≤ +65°C
- ⊕ II 2 G Ex db IIC T5 Gb
- ⊕ II 2 D Ex tb IIIC T100°C Db IP66/IP68
-50°C ≤ Ta ≤ +65°C
- ⊕ II 2 G Ex db IIC T6 Gb
- ⊕ II 2 D Ex tb IIIC T85°C Db IP66/IP68
-60°C ≤ Ta ≤ +55°C
- ⊕ II 2 G Ex db IIC T6 Gb
- ⊕ II 2 D Ex tb IIIC T85°C Db IP66/IP68
-50°C ≤ Ta ≤ +55°C

IECEx (IEC 60079-0: 2011 Ed.6, IEC 60079-1: 2014-06 Ed.7, IEC 60079-31: 2013 Ed.2)

- Ex db IIC T5 Gb
- Ex tb IIIC T100°C Db IP66/IP68
-60°C ≤ Ta ≤ +65°C
- Ex db IIC T5 Gb
- Ex tb IIIC T100°C Db IP66/IP68
-50°C ≤ Ta ≤ +65°C
- Ex db IIC T6 Gb
- Ex tb IIIC T85°C Db IP66/IP68
-60°C ≤ Ta ≤ +55°C
- Ex db IIC T6 Gb
- Ex tb IIIC T85°C Db IP66/IP68
-50°C ≤ Ta ≤ +55°C

TYPE 6P, TYPE 4X (UL50E)

IP69 (EN/IEC60529), housing only

IP66/IP67/IP68 (2 hours, 5m (16ft), EN/IEC60529)

16.3 MAXIMUS MVXHD

16.3.1 Mechanical

Sunshield

Integrated wiper

Unit weight:

- 6kg (13.3lb) (housing only)
- 8.5kg (18.7lb) (housing with 4m (13ft) multi-polar cable shield)
- 12kg (26.5lb) (housing with 10m multi-polar cable shield)

16.3.2 Cable glands

Cable entry: 1 hole, 3/4", NPT

Cable gland Ex db 3/4"NPT and 4m/10m (13ft/33ft) preinstalled multipolar armored cable or with 4m/10m (13ft/33ft) cable tail (for installation with conduit, conduit sealing fitting and conduit not included)

16.3.3 Housing's window

Material: Thermally tempered glass

Dimensions: 51x41mm (2x1.6in)

Thick: 12mm (0.47in)

16.3.4 Electrical

Supply voltage/Current consumption (heating switched on, Ton 15°C±3°C (59°F ±5°F), Toff 22°C±3°C (72°F±5°F)):

- 24Vac ±10%, 2.2A, 50/60Hz
- 24Vdc ±5%, 2.2A
- 12Vdc ±5%, 3.5A

16.3.5 Video



To identify the video encoder model installed, you need to compare the product code on the marking label with the coding table (5 Product coding, page 14). The Edition column allows you to identify the model (A or B).

Video encoder (Release A)

- Communication protocol: ONVIF, Profile S
- Device configuration: TCP/IPv4-IPv6, UDP/IPv4-IPv6, HTTP, HTTPS, NTP, DHCP, WSDISCOVERY, QoS, DSCP, IGMP (Multicast), SOAP, DNS, SNMP
- Streaming: RTSP, RTCP, RTP/IPv4, Multicast
- Video compression: H.264/AVC, MJPEG
- 2 independent video streams Full HD or 4 independent video streams depending on the configuration
- Image resolution: from FullHD to 352x240 in 18 steps
- Selectable frame rate from 1 to 60 images per second (fps)
- Web Server
- Motion Detection

Video encoder (Release B)

- Communication protocol: ONVIF, Profile S and Profile Q
- Device configuration: TCP/IPv4-IPv6, UDP/IPv4-IPv6, HTTP, HTTPS, NTP, DHCP, WS-DISCOVERY, DSCP, IGMP (Multicast), SOAP, DNS
- Streaming: RTSP, RTCP, RTP/IPv4, HTTP, Multicast
- Video compression: H.264/AVC, MJPEG, JPEG, MPEG4
- 3 independent video streams Full HD
- Image resolution: from 320x180 up to 1920x1080 in 6 steps
- Selectable frame rate from 1 to 60 images per second (fps)
- Web Server
- Motion Detection

16.3.6 Network

Ethernet connection

- Video encoder A: 10BASE-T/100BASE-T
- Video encoder B: 100BASE-TX

Connector: RJ45

Cable length: 100m max

16.3.7 I/O interface

I/O alarm board

- Alarm inputs: 1
- Relay outputs: 1 (1A, 30Vac/60Vdc max)

Cable length: 200m (656ft) max

16.3.8 Cameras

Power consumption (assembly, camera and lens)

- Without video encoder IP: 8W
- With video encoder IP: 6W

Minimum distance between camera and housing's window: 4mm (0.16in)

Cameras dimensions/Lenses that can be installed (WxHxL)

- Without video encoder: 70x65x140mm (2.6x2.5x5.5in)
- With video encoder: 70mmx65mmx100mm (2.7x2.5x3.9in)

16.3.9 Environment

For installation indoors and outdoors

Operating temperature:

- Cold start from -40°C (-40°F) up to +65°C (149°F)
- Running from -50°C (-58°F) up to +65°C (149°F)

Relative humidity: from 10% up to 95% (no condensation)

16.3.10 Certifications

ATEX (EN 60079-0: 2012, EN 60079-1: 2014, EN 60079-31: 2014)

- Ⓜ II 2 G Ex db IIC T5 Gb
- Ⓜ II 2 D Ex tb IIIC T100°C Db IP66/IP68
-60°C ≤ Ta ≤ +65°C
- Ⓜ II 2 G Ex db IIC T5 Gb
- Ⓜ II 2 D Ex tb IIIC T100°C Db IP66/IP68
-50°C ≤ Ta ≤ +65°C
- Ⓜ II 2 G Ex db IIC T6 Gb
- Ⓜ II 2 D Ex tb IIIC T85°C Db IP66/IP68
-60°C ≤ Ta ≤ +55°C
- Ⓜ II 2 G Ex db IIC T6 Gb
- Ⓜ II 2 D Ex tb IIIC T85°C Db IP66/IP68
-50°C ≤ Ta ≤ +55°C

IECEX (IEC 60079-0: 2011 Ed.6, IEC 60079-1: 2014-06 Ed.7, IEC 60079-31: 2013 Ed.2)

- Ex db IIC T5 Gb
- Ex tb IIIC T100°C Db IP66/IP68
-60°C ≤ Ta ≤ +65°C
- Ex db IIC T5 Gb
- Ex tb IIIC T100°C Db IP66/IP68
-50°C ≤ Ta ≤ +65°C
- Ex db IIC T6 Gb
- Ex tb IIIC T85°C Db IP66/IP68
-60°C ≤ Ta ≤ +55°C
- Ex db IIC T6 Gb
- Ex tb IIIC T85°C Db IP66/IP68
-50°C ≤ Ta ≤ +55°C

TYPE 6P, TYPE 4X (UL50E)

IP69 (EN/IEC60529), housing only

IP66/IP67/IP68 (2 hours, 5m (16ft), EN/IEC60529)

17 Technical drawings

i The measurements indicated are expressed in millimetres.

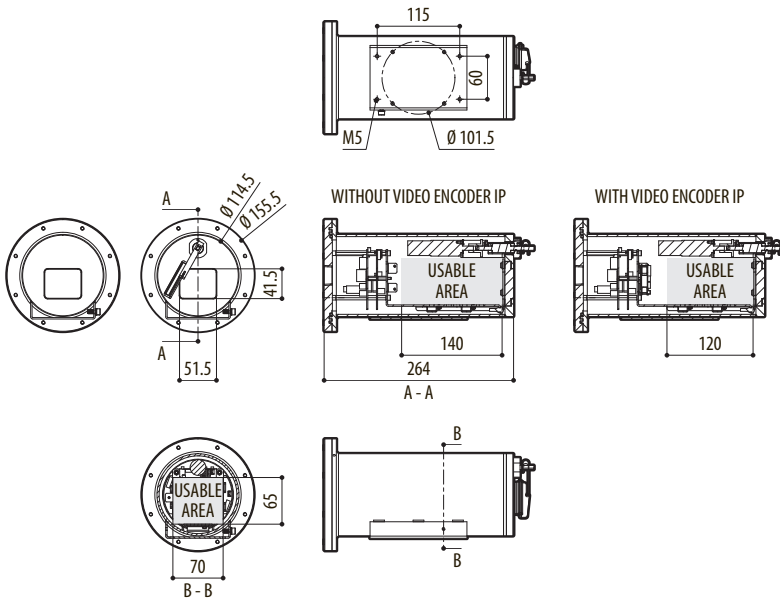


Fig. 29 MAXIMUS MVX.

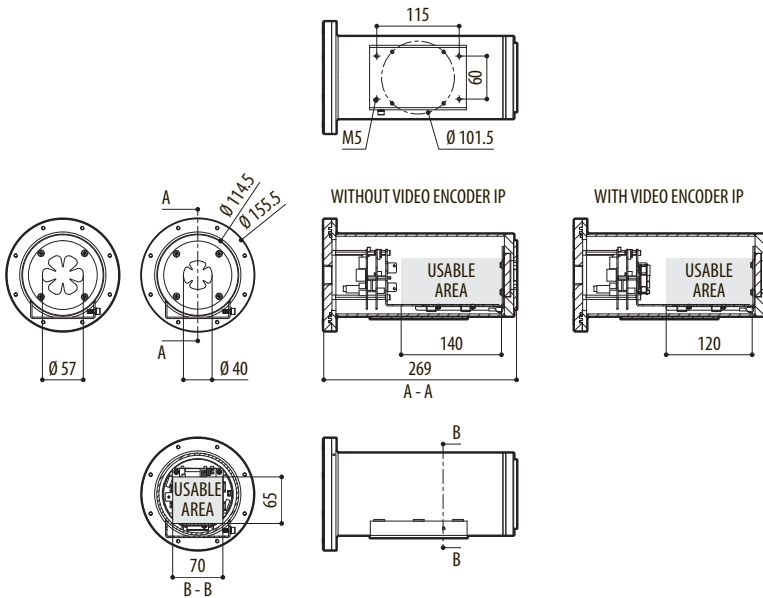


Fig. 30 MAXIMUS MVXT.

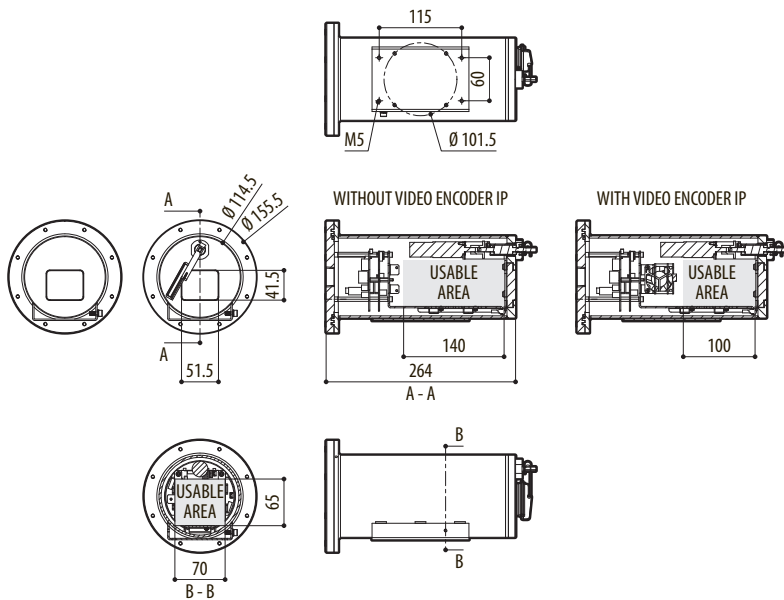


Fig. 31 MAXIMUS MVXHD.

Headquarters Italy Videotec S.p.A.
Via Friuli, 6 - I-36015 Schio (VI) - Italy
Tel. +39 0445 697411 - Fax +39 0445 697414
Email: info@videotec.com

Asia Pacific Videotec (HK) Ltd
Flat 8, 19/F. On Dak Industrial Building, No. 2-6 Wah Sing Street
Kwai Chung, New Territories - Hong Kong
Tel. +852 2333 0601 - Fax +852 2311 0026
Email: info.hk@videotec.com

France Videotec France SARL
Immeuble Le Montreal, 19bis Avenue du Québec, ZA de Courtaboeuf
91140 Villebon sur Yvette - France
Tel. +33 1 60491816 - Fax +33 1 69284736
Email: info.fr@videotec.com

Americas Videotec Security, Inc.
Gateway Industrial Park, 35 Gateway Drive, Suite 100
Plattsburgh, NY 12901 - U.S.A.
Tel. +1 518 825 0020 - Fax +1 518 825 0022
Email: info.usa@videotec.com



www.videotec.com
MNVCMVXTHD_1813_EN

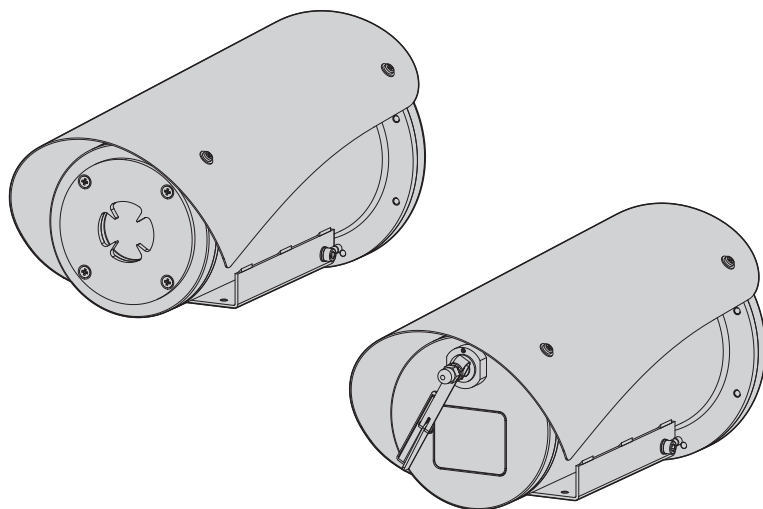
Ex
IP66/IP68



MAXIMUS MVX, MAXIMUS MVXT, MAXIMUS MVXHD

Custodia antideflagrante in acciaio inox

MANUALE A



Sommario

1 Informazioni sul presente manuale	7
1.1 Convenzioni tipografiche	7
2 Note sul copyright e informazioni sui marchi commerciali.....	7
3 Norme di sicurezza	7
3.1 Dettagli del certificato ATEX-IECEX.....	10
3.1.1 Temperatura	10
3.1.2 Caratteristiche delle telecamere installabili	10
3.1.3 Istruzioni di installazione	10
3.1.4 Istruzioni di montaggio.....	11
3.1.5 Condizioni speciali per l'utilizzo in sicurezza.....	11
3.1.6 Informazioni aggiuntive.....	11
4 Identificazione	11
4.1 Descrizione e designazione del prodotto.....	11
4.2 Marcatura del prodotto	12
5 Codifica del prodotto	14
6 Versioni.....	15
6.1 Vetro temperato	15
6.2 Tergicristallo integrato	15
6.3 Finestra in germanio.....	15
7 Preparazione del prodotto per l'utilizzo.....	16
7.1 Precauzioni di sicurezza prima dell'utilizzo	16
7.2 Disimballaggio.....	17
7.3 Contenuto	17
7.4 Smaltimento in sicurezza dei materiali di imballaggio.....	17
7.5 Lavoro preparatorio prima dell'installazione.....	17
7.5.1 Fissaggio a parapetto.....	18
7.5.2 Fissaggio con staffa.....	18
7.5.3 Fissaggio con imbracatura da palo o modulo adattatore angolare.....	19
7.5.3.1 Fissaggio con imbracatura da palo	19
7.5.3.2 Fissaggio con modulo angolare	19
8 Assemblaggio	20
8.1 Campo di utilizzo	20
8.2 Apertura della custodia	20
8.3 Descrizione della scheda di controllo	21
8.4 Descrizione della scheda connettori	21
8.5 Installazione della telecamera.....	22
8.6 Collegamento della telecamera	22
9 Installazione.....	23
9.1 Ingresso cavi	23
9.2 Collegamento della scheda connettori	24
9.2.1 Collegamento della linea di alimentazione	24

9.2.2 Collegamento del cavo video	25
9.2.2.1 Collegamento del cavo video (segnale analogico in uscita).....	25
9.2.2.2 Collegamento del cavo video (telecamera IP generica)	25
9.2.2.3 Collegamento del cavo video (segnale digitale in uscita)	25
9.2.3 Collegamento dei cavi di segnale.....	25
9.2.3.1 Collegamento della linea seriale	25
9.2.3.2 Collegamento dei relè.....	26
9.2.3.3 Collegamento del tergcristallo.....	26
9.3 Messa a terra.....	26
9.4 Chiusura della custodia	27
9.5 Fissaggio del tettuccio.....	27
10 Istruzioni di funzionamento in sicurezza	28
10.1 Funzionamento in condizioni di sicurezza.....	28
10.1.1 Messa in servizio.....	28
10.1.2 Prescrizioni di sicurezza	28
10.1.3 Prescrizioni di prevenzione delle esplosioni	28
11 Accensione	29
11.1 Prima di alimentare il prodotto in atmosfera esplosiva	29
12 Manutenzione.....	29
12.1 Sostituzione dei fusibili	30
12.2 Sostituzione della slitta	30
12.3 Sostituzione della guarnizione del fondo posteriore.....	30
12.4 Sostituzione della spazzola del tergcristallo	30
13 Pulizia	31
13.1 Pulizia del vetro.....	31
13.2 Pulizia della finestra in germanio	31
13.3 Pulizia del prodotto	31
14 Informazioni sullo smaltimento e il riciclo	32
15 Risoluzione dei problemi	32
16 Dati tecnici	33
16.1 MAXIMUS MVX	33
16.1.1 Meccanica	33
16.1.2 Pressacavi.....	33
16.1.3 Finestre per custodia	33
16.1.4 Elettrico.....	33
16.1.5 Rete	33
16.1.6 Comunicazioni seriali.....	33
16.1.7 Video	33
16.1.8 Interfaccia I/O	33
16.1.9 Telecamere.....	34
16.1.10 Ambiente.....	34
16.1.11 Certificazioni.....	34
16.2 MAXIMUS MVXT.....	35
16.2.1 Meccanica	35
16.2.2 Pressacavi.....	35
16.2.3 Finestre per custodia	35

16.2.4 Elettrico.....	35
16.2.5 Rete	35
16.2.6 Comunicazioni seriali.....	35
16.2.7 Video	35
16.2.8 Interfaccia I/O	36
16.2.9 Telecamere.....	36
16.2.10 Ambiente	36
16.2.11 Certificazioni.....	36
16.3 MAXIMUS MVXHD.....	37
16.3.1 Meccanica	37
16.3.2 Pressacavi.....	37
16.3.3 Finestre per custodia	37
16.3.4 Elettrico.....	37
16.3.5 Video	37
16.3.6 Rete	38
16.3.7 Interfaccia I/O	38
16.3.8 Telecamere.....	38
16.3.9 Ambiente	38
16.3.10 Certificazioni.....	38
17 Disegni tecnici	39

1 Informazioni sul presente manuale

Prima di installare e utilizzare questa unità, leggere attentamente tutta la documentazione fornita. Tenere il manuale a portata di mano per consultazioni successive.

1.1 Convenzioni tipografiche



PERICOLO!

Pericolo di esplosione.

Leggere attentamente per evitare pericoli di esplosione.



PERICOLO!

Pericolosità elevata.

Rischio di scosse elettriche. Prima di eseguire qualsiasi operazione assicurarsi di togliere tensione al prodotto, salvo diversa indicazione.



ATTENZIONE!

Pericolosità media.

L'operazione è molto importante per il corretto funzionamento del sistema. Si prega di leggere attentamente la procedura indicata e di eseguirla secondo le modalità previste.



INFO

Descrizione delle caratteristiche del sistema.

Si consiglia di leggere attentamente per comprendere le fasi successive.

2 Note sul copyright e informazioni sui marchi commerciali

I nomi di prodotto o di aziende citati sono marchi commerciali o marchi commerciali registrati appartenenti alle rispettive società.

3 Norme di sicurezza



ATTENZIONE! Le connessioni equipotenziali esterne devono essere effettuate utilizzando l'occhiello presente all'esterno del prodotto. Da non utilizzare come morsetto di protezione.

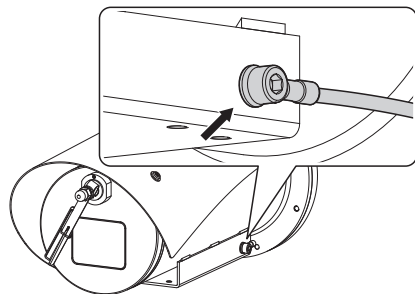


Fig. 1



ATTENZIONE! L'impianto elettrico al quale è collegata l'unità deve essere dotato di un interruttore di protezione bipolare automatico da 10A max. La distanza minima tra i contatti dell'interruttore di protezione deve essere di 3mm. L'interruttore deve essere provvisto di protezione contro la corrente di guasto verso terra (differenziale) e la sovracorrente (magnetotermico).



ATTENZIONE! L'installazione è di tipo TNV-1. Non collegare a circuiti SELV.



ATTENZIONE! L'installazione e la manutenzione del dispositivo deve essere eseguita solo da personale tecnico specializzato.



ATTENZIONE! Per assicurare la protezione contro il rischio di incendio, sostituire i fusibili con lo stesso tipo e valore. I fusibili devono essere sostituiti solo da personale qualificato.



ATTENZIONE! L'apparecchio deve essere collegato a un conduttore di terra (messa a terra protettiva). Il collegamento deve essere eseguito solo attraverso la connessione interna (J7, 8.4 Descrizione della scheda connettori, pagina 21 e 9.2.1 Collegamento della linea di alimentazione, pagina 24).

- Leggere le istruzioni.
- Conservare le istruzioni.
- Osservare tutte le avvertenze.
- Attenersi a tutte le istruzioni.
- Per ridurre il rischio di innesco, non aprire o scollegare l'apparecchio in presenza di un'atmosfera potenzialmente esplosiva. Mantenere il prodotto chiuso durante l'utilizzo.
- L'installazione dell'apparecchio deve essere eseguita da personale tecnico specializzato in conformità al codice di riferimento applicabile IEC/EN60079-14.
- La temperatura delle superfici dell'apparecchio aumenta in caso di esposizione diretta alla luce solare. La classe della temperatura superficiale dell'apparecchio è stata calcolata solo a temperatura ambiente, senza tenere conto dell'esposizione diretta alla luce solare.
- Scegliere una superficie di installazione sufficientemente resistente e adatta a sostenere il peso dell'apparecchio, tenendo conto di condizioni ambientali particolari quali l'esposizione a venti forti.
- Dato che la responsabilità della scelta della superficie di ancoraggio dell'unità ricade sull'utente, il produttore non fornisce in dotazione i dispositivi di fissaggio per l'ancoraggio dell'unità alla superficie. L'installatore è responsabile della scelta di dispositivi idonei alla superficie a sua disposizione. Si raccomanda l'utilizzo di metodi e materiali in grado di sopportare un peso almeno 4 volte superiore a quello dell'apparecchio.
- Prima di fornire alimentazione assicurarsi che l'apparecchio sia saldamente ancorato.
- L'apparecchio è destinato all'installazione in una Posizione ad Accesso Limitato effettuata da personale tecnico specializzato.
- L'isolamento principale deve essere effettuato esternamente al prodotto tramite un trasformatore di sicurezza e/o un alimentatore a tensione continua isolato.
- Per alimentare il prodotto utilizzare un trasformatore di sicurezza e/o un alimentatore a tensione continua isolato di caratteristiche adeguate. Le caratteristiche di alimentazione in uscita non devono superare i valori indicati di seguito. Tensione di alimentazione: 26.4Vac oppure 26.4Vdc max. Corrente erogata: 5A max.
- L'impianto elettrico deve essere dotato di un sezionatore di rete prontamente riconoscibile e utilizzabile in caso di necessità.
- Per interventi di assistenza tecnica rivolgersi esclusivamente a personale tecnico autorizzato.
- Il produttore declina ogni responsabilità per eventuali danni derivanti da un uso improprio delle apparecchiature menzionate in questo manuale. Si riserva inoltre il diritto di modificarne il contenuto senza preavviso. Ogni cura è stata posta nella raccolta e nella verifica della documentazione contenuta in questo manuale. Il produttore, tuttavia, non può assumersi alcuna responsabilità derivante dall'utilizzo della stessa. Lo stesso dicasi per ogni persona o società coinvolta nella creazione e nella produzione di questo manuale.
- Prima di eseguire qualsiasi operazione assicurarsi di togliere tensione al prodotto.
- Non utilizzare cavi con segni di usura o invecchiamento.
- Non effettuare per nessun motivo alterazioni o collegamenti non previsti in questo manuale. L'uso di apparecchi non idonei può portare a gravi pericoli per la sicurezza del personale e dell'impianto.
- Utilizzare solo parti di ricambio originali. Pezzi di ricambio non originali potrebbero causare incendi, scariche elettriche o altri pericoli.
- Prima di procedere con l'installazione, controllare che il materiale fornito corrisponda alle specifiche richieste esaminando le etichette di marcatura (4.2 Marcatura del prodotto, pagina 12).

- Questo dispositivo è stato progettato per essere fissato e collegato in maniera permanente su un edificio o su una struttura adeguata. Il dispositivo deve essere fissato e collegato in maniera permanente prima di effettuare qualsiasi operazione.
- Si devono rispettare le normative nazionali per l'installazione del dispositivo.
- L'impianto elettrico deve essere dotato di un sezionatore di rete prontamente riconoscibile e utilizzabile in caso di necessità.
- Questo è un prodotto di Classe A. In un ambiente residenziale questo prodotto può provocare radiodisturbi. In questo caso può essere richiesto all'utilizzatore di prendere misure adeguate.
- Collegare il dispositivo ad una sorgente d'alimentazione corrispondente a quella indicata nell'etichetta di marcatura. Prima di procedere con l'installazione verificare che la linea elettrica sia opportunamente sezionata. Per dispositivi alimentati in 24Vac la tensione di alimentazione non deve eccedere i limiti ($\pm 10\%$). Per dispositivi alimentati in 12Vdc e 24Vdc la tensione di alimentazione non deve eccedere i limiti ($\pm 5\%$).
- In caso di alimentazione in 24Vac, deve essere predisposta un'adeguata separazione dalla linea di alimentazione AC, fornendo un isolamento doppio o rinforzato tra la linea di alimentazione principale e il circuito secondario.
- Per essere conforme ai requisiti della normativa sugli abbassamenti e le brevi interruzioni della tensione di alimentazione, utilizzare un adeguato gruppo di continuità (UPS) per alimentare l'unità.
- Effettuare tutti i collegamenti, gli interventi di installazione e manutenzione in atmosfera non esplosiva.
- La categoria di installazione (detta anche categoria di sovratensione) specifica i livelli della tensione transitoria di rete alla quale l'apparato è soggetto. La categoria dipende dal luogo di installazione e dalla presenza di dispositivi di protezione contro le sovratensioni. Un dispositivo per ambienti industriali, connesso ai rami principali dell'impianto di alimentazione è soggetto alla categoria di installazione III. Se questo è il caso, è richiesta una riduzione alla categoria II. Ciò può essere ottenuto utilizzando un trasformatore di isolamento con schermatura connessa a terra tra il primario ed il secondario, o tramite l'impiego di dispositivi di protezione contro le sovratensioni (SPD), connessi tra la fase ed il neutro e tra il neutro e terra. I dispositivi SPD, dovranno essere predisposti per limitare sovratensioni transitorie in modo ripetitivo e per le seguenti condizioni nominali di funzionamento: Tipo 2 (Dispositivi SPD connessi permanentemente alla rete di alimentazione, per installazioni dal lato del carico del dispositivo di servizio); Corrente nominale di scarica (In) 20kA minimi. Si possono utilizzare ad esempio: FERRAZ SHAWMUT, ST23401 PG-CN, ST240SPG-CN specificati per 120Vac/240Vac, (In=20kA). La distanza massima tra l'installazione e la riduzione è di 5m.
- Variazioni nazionali per Norvegia e Svezia: Le apparecchiature collegate alla messa a terra dell'impianto dell'edificio attraverso il collegamento alla rete o tramite altro dispositivo dotato di collegamento a terra di protezione (e ad un sistema di distribuzione cavo utilizzando un cavo coassiale) possono in alcuni casi creare un pericolo di incendio. Il collegamento a un sistema di distribuzione via cavo deve pertanto essere fornito attraverso un dispositivo che fornisce un isolamento elettrico sotto di una certa gamma di frequenza (isolatore galvanico, vedere EN60728-11). In Norvegia, secondo il regolamento per installazioni di sistemi di distribuzione via cavo, e in Svezia, un isolatore galvanico deve fornire l'isolamento elettrico ad una frequenza inferiore a 5MHz. L'isolamento deve resistere ad una rigidità dielettrica di 1,5kV rms, 50Hz o 60Hz, per 1 min.
- Utstyr som er koplet til beskyttelsesjord via nettplugg og/eller via annet jordtilkoplet utstyr - og er tilkoplet et kabel-TV nett, kan forårsake brannfare. For å unngå dette skal det ved tilkopling av utstyret til kabel-TV nettet installeres en galvanisk isolator mellom utstyret og kabel-TV nettet.

3.1 Dettagli del certificato ATEX-IECEX

3.1.1 Temperatura

La relazione tra la temperatura ambiente, i gruppi di gas e la marcatura EX è come riportato di seguito:

DETTAGLI DI MARCATURA		
Temperatura ambiente	Marcatura ATEX	Marcatura IECEX
-60°C ≤ Ta ≤ +65°C	⊕ II 2 G Ex db IIC T5 Gb	Ex db IIC T5 Gb
-50°C ≤ Ta ≤ +65°C	⊕ II 2 D Ex tb IIIC T100°C Db IP66/IP68	Ex tb IIIC T100°C Db IP66/IP68
-60°C ≤ Ta ≤ +55°C	⊕ II 2 G Ex db IIC T6 Gb	Ex db IIC T6 Gb
-50°C ≤ Ta ≤ +55°C	⊕ II 2 D Ex tb IIIC T85°C Db IP66/IP68	Ex tb IIIC T85°C Db IP66/IP68

Tab. 1

3.1.2 Caratteristiche delle telecamere installabili

CARATTERISTICHE DELLE TELECAMERE INSTALLABILI				
	Consumo		Dimensioni (WxHxL)	
	Con video encoder IP	Senza video encoder IP	Con video encoder IP	Senza video encoder IP
Custodia				
MVX	6W	8W	70mmx65mmx120mm	70mmx65mmx140mm
MVXT	6W	8W	70mmx65mmx120mm	70mmx65mmx140mm
MVXHD	6W	8W	70mmx65mmx100mm	70mmx65mmx140mm

Tab. 2

3.1.3 Istruzioni di installazione

Tutti i connettori/pressacavi devono essere certificati ATEX/IECEX, in maniera appropriata, con tipo di protezione a prova di esplosione "db" e/o "tb", IP66/IP68, adatti per le condizioni di utilizzo e installati correttamente.

Quando viene utilizzato il conduit, deve essere utilizzato un raccordo di bloccaggio certificato ATEX/IECEX, in maniera appropriata, con tipo di protezione a prova di esplosione "db" e/o "tb", IP66/IP68, adatto per le condizioni di utilizzo e installato correttamente. Il raccordo di bloccaggio deve essere posto entro 50mm (1.97in) dal dispositivo.

Gli ingressi per i cavi non utilizzati devono essere sigillati usando dei dispositivi di chiusura certificati ATEX/IECEX, in maniera appropriata, con tipo di protezione a prova di esplosione "db" e/o "tb", IP66/IP68, adatti per le condizioni di utilizzo e installati correttamente.

Per temperatura ambiente inferiore ai -10°C, utilizzare cavi adeguati alla temperatura ambiente minima.

Devono essere utilizzati cavi, pressacavi, accessori o altri elementi di connessione adatti a resistere ad una temperatura superiore a: +80°C

3.1.4 Istruzioni di montaggio



La custodia può essere installata in qualsiasi posizione.

3.1.5 Condizioni speciali per l'utilizzo in sicurezza

- Le telecamere da installare non devono essere elettromagnetiche o contenere laser, fonti di onde continue o attrezzature irradianti energia a ultrasuoni.
- Le telecamere installabili non devono contenere pile o batterie.
- Le telecamere devono essere di forme geometriche basilari.
- Lo spazio tra la telecamera installata e la superficie interna della finestra della custodia deve essere il seguente: 4mm

3.1.6 Informazioni aggiuntive

Il prodotto ha superato i test di Ingress Protection, in conformità con EN/IEC60529: IP66, IP68.

4 Identificazione

4.1 Descrizione e designazione del prodotto

La custodia antideflagrante della serie MAXIMUS MVX è stata progettata per consentire l'utilizzo di telecamere operanti in ambienti industriali in cui vi è la probabilità che si manifestino atmosfere esplosive dovute a gas, vapori, nebbie o miscele di aria o polveri.

Le custodie MAXIMUS MVX sono costruite in acciaio inox micropallinato AISI 316L.

La flangia posteriore incorpora la slitta interna dove la telecamera deve essere posizionata, essa contiene anche la parte dell'elettronica interna che gestisce l'alimentazione ed i dispositivi di riscaldamento della custodia.

L'ingresso dei cavi avviene attraverso un foro filettato 3/4" NPT realizzato sul fondo posteriore. Le connessioni devono essere fatte in conformità con IEC/EN60079-14.

Le custodie della famiglia MAXIMUS MVX hanno un grado di protezione IP66/IP68 e possono essere installate alle seguenti temperature.

T5: da -60°C fino a +65°C oppure da -50°C fino a +65°C

T6: da -60°C fino a +55°C oppure da -50°C fino a +55°C

4.2 Marcatura del prodotto

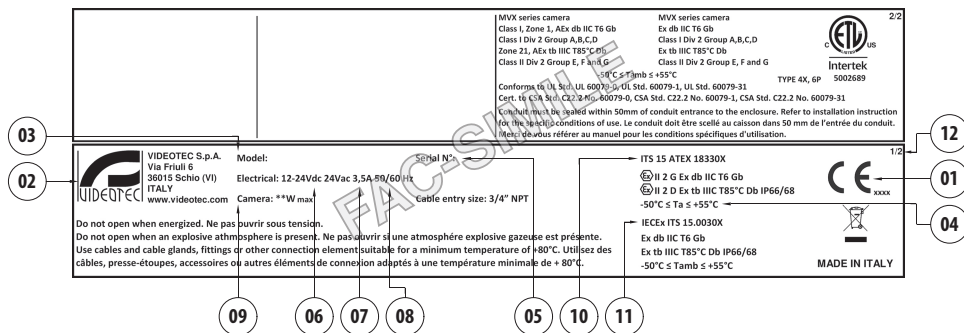


Fig. 2

1. Marcatura CE e numero dell'organismo accreditato per la verifica della conformità della produzione.
2. Nome e indirizzo del costruttore
3. Codice di identificazione del modello
4. Temperatura ambiente di utilizzo riferita al codice di identificazione del modello
5. Numero di serie (la seconda e la terza cifra indicano l'anno di produzione)
6. Tensione di alimentazione (V)
7. Corrente assorbita (A)
8. Frequenza (Hz)
9. Consumo della telecamera/optica (W)
10. Certificazione ATEX:
 - Numero di certificato ATEX
 - Classificazione del tipo di zona, metodo di protezione, classe di temperatura per le quali è ammesso l'impiego di questo prodotto secondo la direttiva ATEX

MARCATURA ATEX		
Temperatura ambiente	Marcatura gas	Marcatura polveri
-60°C to +65°C	⊕ II 2 G Ex db IIC T5 Gb	⊕ II 2 D Ex tb IIIC T100°C Db
-50°C to +65°C		
-60°C to +55°C	⊕ II 2 G Ex db IIC T6 Gb	⊕ II 2 D Ex tb IIIC T85°C Db
-50°C to +55°C		

Tab. 3

11. Certificazione IECEx:

- Numero di certificato IECEx
- Classificazione del tipo di zona, metodo di protezione, classe di temperatura per le quali è ammesso l'impiego di questo prodotto secondo la direttiva IECEx

MARCATURA IECEx		
Temperatura ambiente	Marcatura gas	Marcatura polveri
-60°C to +65°C	Ex db IIC T5 Gb	Ex tb IIIC T100°C Db
-50°C to +65°C		
-60°C to +55°C	Ex db IICT6 Gb	Ex tb IIIC T85°C Db
-50°C to +55°C		

Tab. 4

12. Possono essere presenti nella custodia etichette aggiuntive che riportano la marcatura di ulteriori certificazioni. Le etichette saranno numerate e il dettaglio della marcatura sarà riportato in un documento aggiuntivo che accompagnerà il prodotto.

5 Codifica del prodotto

MAXIMUS MVX - CODIFICA DEL PRODOTTO														
	Tensione		Telecamera		Accessori		Connessione		Uscita video		Modello		Edizione	
MVX	2	12Vdc-24Vdc/24Vac	00	Senza telecamera	S	Senza accessori	0	Senza cavo, senza pressacavo	0	Analogica	00	T5 -60°C/+65°C	A	Prima edizione
			**	Telecamera preinstallata	W	Con tergcristallo	*	Dispositivi di connessione	Z	IP H.264	01	T5 -50°C/+65°C		
											02	T6 -60°C/+55°C		
											03	T6 -50°C/+55°C		

Tab. 5

MAXIMUS MVXT - CODIFICA DEL PRODOTTO																
	Tensione		Telecamera		Accessori		Connessione		Uscita video		Modello		Edizione		Frequenza della telecamera termica	
MVXT	2	12Vdc-24Vdc/24Vac	00	Senza telecamera	S	Senza accessori	0	Senza cavo, senza pressacavo	0	Analogica	00	T5 -60°C/+65°C	A	Prima edizione	Vuoto	7.5-8.3Hz
			**	Telecamera preinstallata			*	Dispositivi di connessione	Z	IP H.264	01	T5 -50°C/+65°C	B	Seconda edizione	H	25-30Hz
											02	T6 -60°C/+55°C				
											03	T6 -50°C/+55°C				

Tab. 6

MAXIMUS MVXHD - CODIFICA DEL PRODOTTO														
	Tensione		Telecamera		Accessori		Connessione		Uscita video		Modello		Edizione	
MVXHD	2	12Vdc-24Vdc/24Vac	00	Senza telecamera	S	Senza accessori	0	Senza cavo, senza pressacavo	0	Senza video encoder	00	T5 -60°C/+65°C	A	Prima edizione
			**	Telecamera preinstallata	W	Con tergcristallo	*	Dispositivi di connessione	Z	IP H.264	01	T5 -50°C/+65°C	B	Seconda edizione
											02	T6 -60°C/+55°C		
											03	T6 -50°C/+55°C		

Tab. 7

6 Versioni

6.1 Vetro temperato

Il prodotto può essere provvisto di vetro temperato.

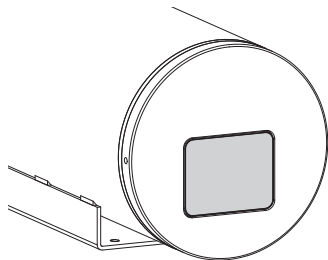


Fig. 3

6.2 Tergicristallo integrato

Il prodotto può essere provvisto di tergicristallo.

Il tergicristallo integrato può essere comandato da remoto tramite una tastiera o un contatto pulito.

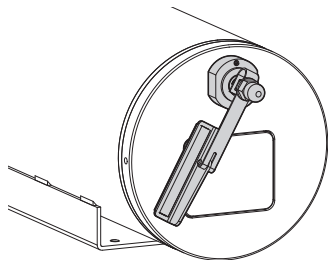


Fig. 4

6.3 Finestra in germanio



La griglia di protezione deve sempre essere presente quando l'unità è in funzione. Il mancato rispetto di questa indicazione può portare a gravi pericoli per la sicurezza del personale e dell'impianto, oltre a far decadere la garanzia.

La versione con finestra in germanio è stata studiata per applicazioni con telecamere termiche.

Questa versione è provvista di una griglia protettiva in acciaio inox AISI 316L.

A seconda della telecamera scelta è possibile installare 2 diverse dimensioni di finestre in germanio con le loro relative griglie.

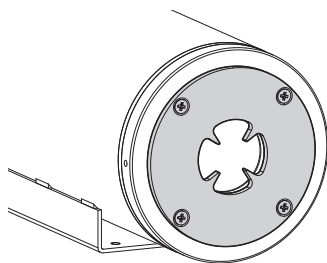


Fig. 5 Griglia piccola.

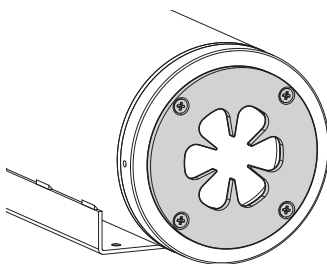


Fig. 6 Griglia grande.

7 Preparazione del prodotto per l'utilizzo

 **Qualsiasi intervento non espressamente approvato dal costruttore fa decadere la garanzia e la certificazione.**

7.1 Precauzioni di sicurezza prima dell'utilizzo


 **Accertarsi che tutti gli apparecchi siano omologati per l'utilizzo nell'ambiente nel quale saranno installati.**


 **Prima di eseguire qualsiasi operazione assicurarsi di togliere tensione al prodotto.**

 **L'impianto elettrico deve essere dotato di un sezionatore di rete prontamente riconoscibile e utilizzabile in caso di necessità.**

 **Prima di eseguire qualsiasi operazione assicurarsi di togliere tensione al prodotto.**

 **Effettuare i collegamenti e le prove in laboratorio prima dell'installazione nel sito. Utilizzare degli utensili adeguati.**

 **Prima di effettuare qualsiasi operazione, assicurarsi che la tensione della linea sia corretta.**

 **Dato il peso considerevole dell'apparecchio, utilizzare un sistema di trasporto e movimentazione adeguato. Si consiglia al personale addetto di eseguire tale operazione nell'osservanza delle norme comuni di prevenzione degli incidenti.**

Qualora l'apparecchiatura venga a contatto con sostanze aggressive è responsabilità dell'utente prendere precauzioni adeguate a prevenirne il danneggiamento e a non comprometterne il tipo di protezione.

- **Sostanze aggressive:** Liquidi acidi o gas in grado di attaccare i metalli o solventi che possono aggredire i materiali polimerici.
- **Precauzioni adeguate:** Controlli regolari nell'ambito delle ispezioni di routine o verifica, sulla base della scheda tecnica, della resistenza del materiale agli agenti chimici specifici.

È responsabilità degli utenti finali accertarsi che i materiali con cui è costruito il prodotto siano idonei al luogo di installazione previsto. In caso di dubbi consultare il produttore.

7.2 Disimballaggio

Alla consegna del prodotto verificare che l'imballo sia integro e non presenti segni evidenti di cadute o abrasioni.

In caso di danni evidenti all'imballo contattare immediatamente il fornitore.

In caso di restituzione del prodotto malfunzionante è consigliato l'utilizzo dell'imballaggio originale per il trasporto.

Conservare l'imballo qualora fosse necessario inviare il prodotto in riparazione.

7.3 Contenuto

Controllare che il contenuto sia corrispondente alla lista del materiale sotto elencato:

- Custodia antideflagrante
- Distanziale e viteria per montaggio del tettuccio
- Documentazione
- Fascetta
- Guaina siliconica
- Kit di ricambio O-ring
- Manuali di istruzioni
- Tettuccio
- Viteria (assemblaggio del supporto)

7.4 Smaltimento in sicurezza dei materiali di imballaggio

I materiali d'imballo sono costituiti interamente da materiale riciclabile. Sarà cura del tecnico installatore smaltirli secondo le modalità di raccolta differenziata o comunque secondo le norme vigenti nel Paese di utilizzo.

7.5 Lavoro preparatorio prima dell'installazione



Eseguire l'installazione utilizzando utensili adeguati. Il luogo in cui il dispositivo viene installato può tuttavia rendere necessario l'utilizzo di utensili specifici.



L'installatore deve garantire la continuità di terra tra il prodotto installato e l'impianto.



Scegliere una superficie di installazione sufficientemente resistente e adatta a sostenere il peso dell'apparecchio, tenendo conto di condizioni ambientali particolari come l'esposizione a venti forti.



Prima di fornire alimentazione assicurarsi che l'apparecchio sia saldamente ancorato.



ATTENZIONE! L'installazione e la manutenzione del dispositivo deve essere eseguita solo da personale tecnico specializzato.



Per l'assistenza tecnica rivolgersi esclusivamente a personale tecnico autorizzato.



Poiché la responsabilità della scelta della superficie di ancoraggio dell'unità ricade sull'utente, il produttore non fornisce in dotazione i dispositivi di fissaggio per l'ancoraggio dell'unità alla superficie. L'installatore è pertanto responsabile della scelta di dispositivi idonei alla superficie a sua disposizione. In genere si raccomanda l'utilizzo di metodi e materiali in grado di sopportare un peso almeno 4 volte superiore a quello dell'apparecchio.

L'unità può essere installata con differenti staffe e supporti.

Si raccomanda di utilizzare esclusivamente staffe e accessori approvati per l'installazione.

7.5.1 Fissaggio a parapetto

Prima di tutto fissare la base dell'adattatore al luogo di destinazione finale. Utilizzare viti che possono sostenere un peso almeno 4 volte superiore a quello dell'unità.

Applicare una buona quantità di frenaflett (Loctite 270).

Serrare le viti.

Lasciare agire il frenaflett per un'ora prima di ultimare l'installazione.

È possibile fissare la base (01) all'adattatore a colonna NXFWBT utilizzando le 4 viti svasate (02) in dotazione.

Bloccare lo snodo (03) alla base tramite dadi e rondelle forniti.

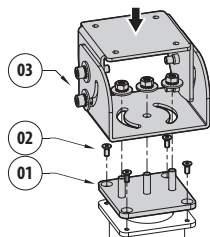


Fig. 7

Fissare la custodia allo snodo tramite le viti e le rondelle fornite.

Applicare una buona quantità di frenaflett (Loctite 270).

Serrare le viti.

⚠ Prestare attenzione durante il fissaggio. Coppia di serraggio: Da 6Nm fino a 8Nm.

Lasciare agire il frenaflett per un'ora prima di ultimare l'installazione.

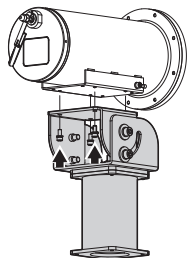


Fig. 8

7.5.2 Fissaggio con staffa

Il supporto può essere fissato direttamente ad un muro verticale. Utilizzare viti e dispositivi di fissaggio a muro che possono sostenere un peso almeno 4 volte superiore a quello dell'unità.

Per fissare il dispositivo alla staffa, utilizzare 4 rondelle piane, 4 rondelle dentellate in acciaio inox e 4 viti ad esagono incassato acciaio inox fornite in dotazione.

Assicurarsi che le filettature siano prive di sporcizia e residui.

Applicare una buona quantità di frenaflett (Loctite 270) sulle 4 viti.

Serrare le viti.

Lasciare agire il frenaflett per un'ora prima di ultimare l'installazione.

⚠ Prestare attenzione durante il fissaggio. Coppia di serraggio: Da 6Nm fino a 8Nm.

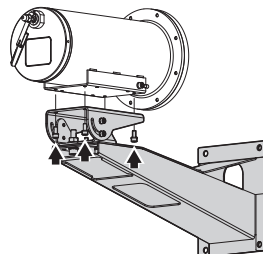


Fig. 9

7.5.3 Fissaggio con imbracatura da palo o modulo adattatore angolare

Per installare il prodotto su imbracatura da palo o in corrispondenza di un angolo prima di tutto fissare l'unità al supporto a muro (7.5.2 Fissaggio con staffa, pagina 18).

7.5.3.1 Fissaggio con imbracatura da palo

Per fissare la staffa di supporto a muro all'imbracatura da palo, utilizzare 4 rondelle piane, 4 rondelle grower in acciaio inox e 4 viti a testa esagonale in acciaio inox (A4 classe 70) da M10x30mm.

Assicurarsi che le filettature siano prive di sporcizia e residui.

Applicare una buona quantità di frenafiletti (Loctite 270) sui 4 fori filettati presenti sull'imbracatura da palo.

Serrare le viti.

⚠ Prestare attenzione durante il fissaggio. Coppia di serraggio: 35Nm.

Lasciare agire il frenafiletti per un'ora prima di ultimare l'installazione.

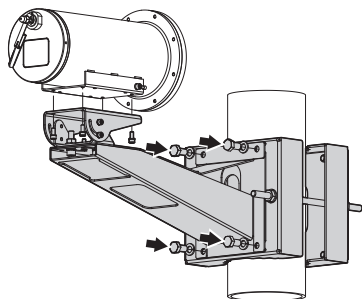


Fig. 10

7.5.3.2 Fissaggio con modulo angolare

Per fissare la staffa di supporto a muro al modulo adattatore angolare, utilizzare 4 rondelle piane, 4 rondelle grower in acciaio inox e 4 viti a testa esagonale in acciaio inox (A4 classe 70) da M10x30mm.

Assicurarsi che le filettature siano prive di sporcizia e residui.

Applicare una buona quantità di frenafiletti (Loctite 270) sui 4 fori filettati presenti sul modulo angolare.

Serrare le viti.

⚠ Prestare attenzione durante il fissaggio. Coppia di serraggio: 35Nm.

Lasciare agire il frenafiletti per un'ora prima di ultimare l'installazione.

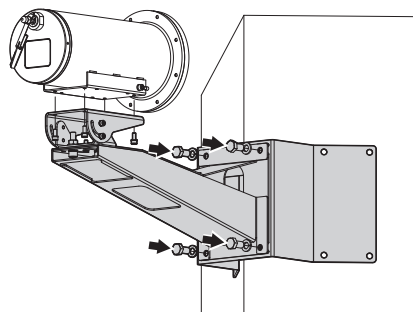


Fig. 11

8 Assemblaggio



Effettuare tutti i collegamenti, gli interventi di installazione e manutenzione in atmosfera non esplosiva.



Accertarsi che tutti gli apparecchi siano omologati per l'utilizzo nell'ambiente nel quale saranno installati.



ATTENZIONE! L'impianto elettrico al quale è collegata l'unità deve essere dotato di un interruttore di protezione bipolare automatico da 10A max. La distanza minima tra i contatti dell'interruttore di protezione deve essere di 3mm. L'interruttore deve essere provvisto di protezione contro la corrente di guasto verso terra (differenziale) e la sovracorrente (magnetotermico).



Eeguire le connessioni elettriche in assenza di alimentazione e con dispositivo di sezionamento aperto.



L'impianto elettrico deve essere dotato di un sezionatore di rete prontamente riconoscibile e utilizzabile in caso di necessità.



Non utilizzare cavi con segni di usura o invecchiamento.



ATTENZIONE! L'installazione e la manutenzione del dispositivo deve essere eseguita solo da personale tecnico specializzato.



Si devono rispettare le normative nazionali per l'installazione del dispositivo.



La custodia può essere installata in qualsiasi posizione.



Le telecamere installabili non devono contenere pile o batterie.



VIDEOTEC raccomanda di testare la configurazione e le prestazioni dell'apparecchio prima di collocarlo nel sito di installazione definitivo.

8.1 Campo di utilizzo

L'impiego dell'unità è definito per l'utilizzo in postazione fissa per la sorveglianza di zone con atmosfera potenzialmente esplosiva classificate 1-21 o 2-22.

L'unità è costruita e certificata in accordo con la direttiva 2014/34/UE e agli standard internazionali IECEx che ne definiscono il campo di applicazione e i requisiti minimi di sicurezza.

8.2 Apertura della custodia



Durante le operazioni di apertura e chiusura del prodotto prestare attenzione a non rovinare il giunto antideflagrante.

Per installare la telecamera è necessario aprire il fondo posteriore della custodia.

Svitare le viti di chiusura del fondo, rimuovere le rondelle ed estrarre il fondo dal corpo della custodia.

Caratteristiche delle viti

- Diametro/Passo della vite: M5x0.8
- Materiale: A4 Classe 70
- Testa della vite: ISO 4762
- Lunghezza: 12mm
- Tensione di snervamento (min): 450N/mm²



Prestare particolare attenzione durante l'apertura della versione con tergicristallo integrato. Estrarre lentamente la slitta per non danneggiare i collegamenti. Scollegare i connettori prima di estrarre completamente la slitta.

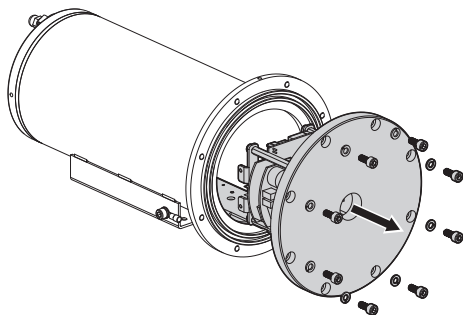


Fig. 12

8.3 Descrizione della scheda di controllo

DESCRIZIONE DELLA SCHEDA	
Connettore/ Morsetto	Funzione
J1	Linea di alimentazione/Segnale video (telecamera analogica)
J2	Sensori del tergicristallo
J3	Relè ed allarme (telecamera)
J4	Linea di alimentazione (ventilatore)
J5	Linea di alimentazione (tergicristallo)
J6	Linea di alimentazione (telecamera)
DIP1	Configurazione della linea seriale

Tab. 8

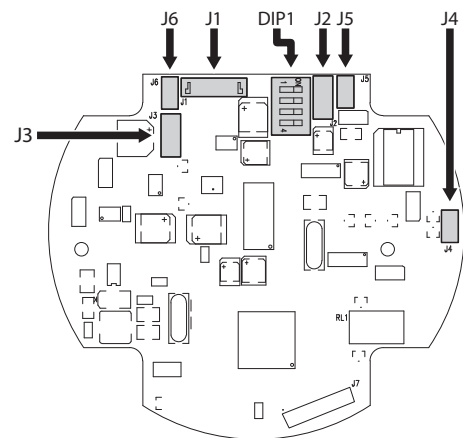


Fig. 13

8.4 Descrizione della scheda connettori

DESCRIZIONE DELLA SCHEDA	
Connettore/ Morsetto	Funzione
J1	Uscita video (digitale)
J5	Uscita video (telecamera)
J6	Linea di alimentazione (video encoder IP)
J7	Linea di alimentazione (custodia)
J8	Uscita video (analogica)
J11	Relè, allarmi, linea seriale, factory default
J12	Cavi di segnale (video encoder IP)
J13	Alimentazione della telecamera
FUS1	Fusibile

Tab. 9

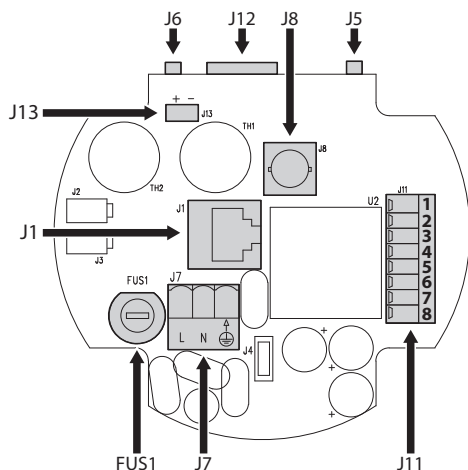


Fig. 14

8.5 Installazione della telecamera



Le telecamere installabili non devono contenere pile o batterie.



Per ulteriori informazioni sulle telecamere installabili fare riferimento al relativo capitolo (3.1.2 Caratteristiche delle telecamere installabili, pagina 10).

Montare la telecamera/ottica sulla slitta interna, in maniera che l'altezza di installazione permetta una perfetta visione attraverso la finestra.

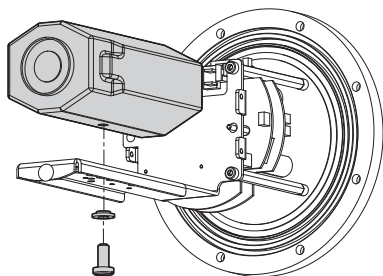


Fig. 15

Distanza minima di installazione tra la telecamera e il vetro della custodia: 4mm (la distanza coincide con il bordo della slitta).

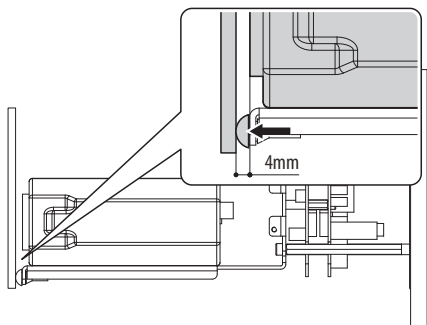


Fig. 16

8.6 Collegamento della telecamera

COLLEGAMENTO DELLA TELECAMERA

Versione	Alimentazione	Segnale video	Linee di comunicazione
Versione IP generica	J13 (scheda connettori)	Connettore della telecamera/ Collegamento diretto alla telecamera	-
Versione analogica/ Versione digitale SD	J1 (scheda di controllo)	J1 (scheda di controllo)	J1 (scheda di controllo)
Versione digitale HD	J6 (scheda di controllo)	J12 (scheda connettori)	J12 (scheda connettori)

Tab. 10



Il cavo del segnale video della versione IP è collegato direttamente alla telecamera.

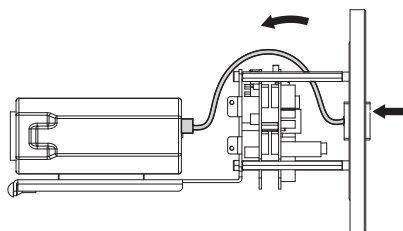




Fig. 17

9 Installazione


 **Non aprire il dispositivo se alimentato e in presenza di atmosfera esplosiva.**


 **Effettuare tutti i collegamenti, gli interventi di installazione e manutenzione in atmosfera non esplosiva.**


 **Accertarsi che tutti gli apparecchi siano omologati per l'utilizzo nell'ambiente nel quale saranno installati.**

 **ATTENZIONE! L'impianto elettrico al quale è collegata l'unità deve essere dotato di un interruttore di protezione bipolare automatico da 10A max. La distanza minima tra i contatti dell'interruttore di protezione deve essere di 3mm. L'interruttore deve essere provvisto di protezione contro la corrente di guasto verso terra (differenziale) e la sovracorrente (magnetotermico).**


 **Eeguire le connessioni elettriche in assenza di alimentazione e con dispositivo di sezionamento aperto.**

 **L'impianto elettrico deve essere dotato di un sezionatore di rete prontamente riconoscibile e utilizzabile in caso di necessità.**

 **Non utilizzare cavi con segni di usura o invecchiamento.**


 **ATTENZIONE! L'installazione e la manutenzione del dispositivo deve essere eseguita solo da personale tecnico specializzato.**

 **Si devono rispettare le normative nazionali per l'installazione del dispositivo.**

 **La custodia può essere installata in qualsiasi posizione.**

 **Isolare elettricamente tutti i fili non collegati.**

 **Le telecamere installabili non devono contenere pile o batterie.**

 **VIDEOTEC raccomanda di testare la configurazione e le prestazioni dell'apparecchio prima di collocarlo nel sito di installazione definitivo.**

9.1 Ingresso cavi

Per prevenire la propagazione di fiamme o esplosioni dal dispositivo al sistema conduit o pressacavo, e da quest'ultimi all'ambiente esterno, eseguire una connessione conforme alla norma IEC/EN60079-14.

Non devono essere utilizzati cavi singoli senza guaina a meno che non siano installati all'interno di un sistema conduit.

Tutti i pressacavi devono essere certificati ATEX/IECEX, in maniera appropriata, con tipo di protezione a prova di esplosione "db" e/o "tb", IP66/IP68, adatti per le condizioni di utilizzo e installati correttamente.


È obbligatorio installare tra la custodia e l'area sicura un dispositivo resinato (pressacavo a barriera o raccordo di bloccaggio).

Quando viene utilizzato il conduit, deve essere utilizzato un raccordo di bloccaggio certificato ATEX/IECEX, in maniera appropriata, con tipo di protezione a prova di esplosione "db" e/o "tb", IP66/IP68, adatto per le condizioni di utilizzo e installato correttamente. Il raccordo di bloccaggio deve essere posto entro 50mm (1.97in) dal dispositivo.


9.2 Collegamento della scheda connettori


9.2.1 Collegamento della linea di alimentazione

 Eseguire le connessioni elettriche in assenza di alimentazione e con dispositivo di sezionamento aperto.


 All'atto dell'installazione controllare che le caratteristiche di alimentazione fornite dall'impianto corrispondano a quelle richieste dal dispositivo.

 **ATTENZIONE!** L'installazione è di tipo TNV-1. Non collegare a circuiti SELV.

 Verificare che la sorgente e il cavo di alimentazione siano adeguatamente dimensionati.

 Per effettuare il collegamento di messa a terra protettiva utilizzare cavi di sezione adeguata: 2.5mm^2 (13AWG).


COLLEGAMENTO DELLA LINEA DI ALIMENTAZIONE

Colore	Morsetti
Alimentazione 24Vac/24Vdc/12Vdc	
Definito dall'installatore	~/+
Definito dall'installatore	~/-
Giallo/Verde	

Tab. 11

I cavi di alimentazione vanno collegati al morsetto di alimentazione della scheda connettori prestando attenzione a dove va fissato il cavo di terra (J7, 8.4 Descrizione della scheda connettori, pagina 21).

 Il cavo di terra deve essere più lungo degli altri due di circa 10mm per prevenirne il distacco accidentale a causa dello stiramento.

 Il cavo di alimentazione deve essere coperto con la guaina siliconica (01) presente nella dotazione. La guaina siliconica deve essere fissata con l'apposita fascetta (02).

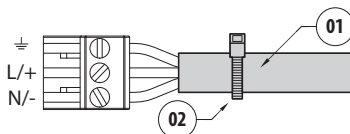


Fig. 18

In relazione al tipo di alimentazione attenersi alle lunghezze massime per i cavi di alimentazione riportate in tabella.

SPECIFICHE DEI CAVI		
Sezione del cavo	Tensione di alimentazione	Lunghezza massima del cavo
1mm ² (17AWG)	12Vdc	5m
	24Vdc	15m
	24Vac	30m
1.5mm ² (16AWG)	12Vdc	7m
	24Vdc	25m
	24Vac	45m
2.5mm ² (13AWG)	12Vdc	15m
	24Vdc	40m
	24Vac	80m

Tab. 12

9.2.2 Collegamento del cavo video

⚠ ATTENZIONE! Per ridurre il rischio di incendio usare solamente cavi aventi sezioni maggiori o uguali a 0.14mm² (26AWG).

Si raccomanda l'utilizzo dei seguenti cavi coassiali:

- RG59
- RG174A/U UL1354

Si raccomanda l'utilizzo di cavi Ethernet con le seguenti caratteristiche:

- STP (schermato)
- Categoria 5E (o superiore)

9.2.2.1 Collegamento del cavo video (segnale analogico in uscita)

Il cavo video in uscita dalla custodia va collegato all'uscita video analogica (J8, 8.4 Descrizione della scheda connettori, pagina 21).

9.2.2.2 Collegamento del cavo video (telecamera IP generica)

i Non collegare il cavo RS-485 e il cavo video quando si utilizza una telecamera IP.

Il cavo di rete Ethernet in uscita dalla custodia va collegato direttamente alla telecamera IP generica.

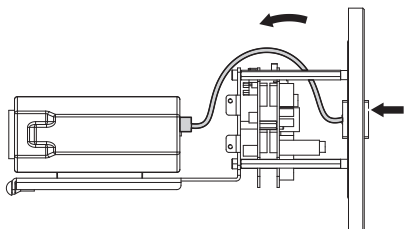


Fig. 19

9.2.2.3 Collegamento del cavo video (segnale digitale in uscita)

i Non collegare il cavo RS-485 e il cavo video quando si utilizza una telecamera IP.

Il cavo di rete Ethernet in uscita dalla custodia va collegato all'uscita video digitale (J1, 8.4 Descrizione della scheda connettori, pagina 21).

9.2.3 Collegamento dei cavi di segnale

⚠ ATTENZIONE! L'installazione è di tipo TNV-1. Non collegare a circuiti SELV.

i Utilizzare un cavo multipolare schermato. Collegare la calza del cavo schermato al terminale 8 (J11, Tab. 13, pagina 25).

I cavi di segnale in uscita vanno collegati al connettore dei relè, allarmi, linea seriale, factory default (J11, 8.4 Descrizione della scheda connettori, pagina 21).

DESCRIZIONE DEL MORSETTO (J11)	
Contatti del morsetto	Funzione
1	RS-485 A (+)
2	RS-485 B (-)
3	Relè 1, Terminale A
4	Relè 1, Terminale B
5	Ingresso digitale
6	GND
7	Reset
8	Shield

Tab. 13

9.2.3.1 Collegamento della linea seriale

Il prodotto prevede una linea seriale di comunicazione RS-485, Half-duplex, Terminata internamente (lo switch 4 del DIP1 è posizionato di default su ON).

Per le versioni con telecamera analogica può essere necessario modificare il settaggio. Posizionare su OFF lo switch 4 del DIP1 per configurare la linea RS-485 come Non terminata internamente (8.3 Descrizione della scheda di controllo, pagina 21).

Collegare la linea seriale al connettore relè, allarmi, linea seriale, factory default (J11, morsetto 1/morsetto 2, 8.4 Descrizione della scheda connettori, pagina 21).

9.2.3.2 Collegamento dei relè



Il relè è utilizzabile con le specifiche descritte di seguito. Tensione di lavoro: fino a 30Vac oppure 60Vdc. Corrente: 1A max. Utilizzare cavi di sezione adeguata con le seguenti caratteristiche: da 0.25mm² (24AWG) fino a 1.5mm² (16AWG).

A causa dell'assenza di polarità, entrambi i terminali di uno stesso relè possono essere utilizzati indifferentemente con tensione alternata o continua.

Il contatto pulito è di tipo NO (normalmente aperto).

9.2.3.3 Collegamento del tergicristallo

È possibile azionare il tergicristallo da remoto utilizzando un contatto pulito NO (normalmente aperto). Collegare i cavi del contatto pulito al connettore dei relè, allarmi, linea seriale, factory default (J11, morsetto 5/morsetto 6, 8.4 Descrizione della scheda connettori, pagina 21).

Nella versione con tergicristallo integrato collegare i cablaggi ai connettori dei sensori e della linea di alimentazione del tergicristallo (J2, J5, 8.3 Descrizione della scheda di controllo, pagina 21).

9.3 Messa a terra



ATTENZIONE! Le connessioni equipotenziali esterne devono essere effettuate utilizzando l'occhiello presente all'esterno del prodotto. Da non utilizzare come morsetto di protezione.

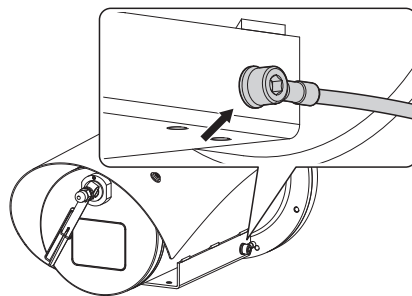


Fig. 20

Il collegamento equipotenziale di terra deve essere effettuato tramite un cavo esterno con una sezione minima avente le seguenti caratteristiche: 4mm² (11AWG).

Connettere il cavo per il collegamento equipotenziale di terra con il terminale ad occhiello fornito. Adatto per cavi: da 4mm² fino a 6mm².

Fissare l'occhiello usando la vite (M5) e la rondella dentellata fornite.

Caratteristiche della vite (M5)

- Materiale: A4 Classe 70
- Testa della vite: ISO 4762
- Lunghezza: 12mm

Il collegamento equipotenziale di terra è necessario per eseguire le connessioni supplementari previste a norma di legge.

9.4 Chiusura della custodia

! Testare il corretto funzionamento del sistema prima di chiudere il prodotto e utilizzarlo in atmosfera esplosiva.

! Durante le operazioni di apertura e chiusura del prodotto prestare attenzione a non rovinare il giunto antideflagrante.

! Prima di chiudere il fondo verificare l'integrità della guarnizione o-ring. Nel caso la guarnizione sia danneggiata sostituirla con quella fornita in dotazione.

i Nella versione con tergicristallo integrato connettere i cablaggi prima di chiudere la custodia (J2, J5, 8.3 Descrizione della scheda di controllo, pagina 21).

Verificare che non vi sia la presenza di sporcizia o residui.

Sistemare i cavi in maniera che non ci siano interferenze durante la chiusura del fondo.

Inserire il fondo nel corpo custodia tenendo allineati i fori di chiusura fra fondo e corpo custodia.

! Prestare attenzione a non danneggiare la guarnizione o-ring.

Avvitare le viti e le rondelle precedentemente rimosse.

Caratteristiche delle viti

- Diametro/Passo della vite: M5x0.8
- Materiale: A4 Classe 70
- Testa della vite: ISO 4762
- Lunghezza: 12mm
- Tensione di snervamento (min): 450N/mm²

! Usare sempre le rondelle in dotazione per il fissaggio delle viti.

! Prestare attenzione durante il fissaggio. Coppia di serraggio: Da 8Nm fino a 9Nm.

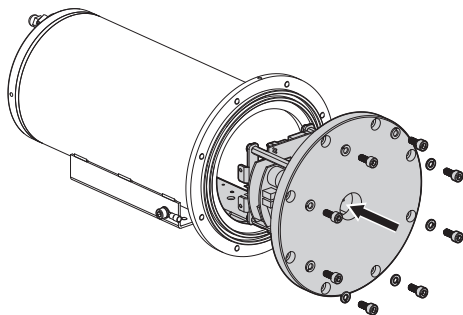


Fig. 21

9.5 Fissaggio del tettuccio

i Prima di fissare il tettuccio della custodia rimuovere la pellicola protettiva (se presente).

È possibile fissare il tettuccio alla custodia utilizzando la viteria fornita in dotazione.

Applicare una buona quantità di frenafletti (Loctite 270) sui fori filettati.

Lasciare agire il frenafletti per un'ora prima di ultimare l'installazione.

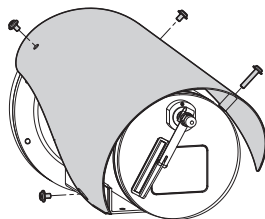


Fig. 22

10 Istruzioni di funzionamento in sicurezza

10.1 Funzionamento in condizioni di sicurezza



Prima di effettuare le seguenti operazioni assicurarsi che la tensione di alimentazione sia corretta.

10.1.1 Messa in servizio

Leggere attentamente e completamente il presente manuale d'uso prima di procedere con l'installazione.

VIDEOTEC raccomanda di testare la configurazione e le prestazioni dell'apparecchio prima di collocarlo nel sito di installazione definitivo. Utilizzare degli utensili adeguati.

Testare il corretto funzionamento del sistema prima di chiudere il prodotto e utilizzarlo in atmosfera esplosiva.

Assicurarsi che tutti gli apparecchi siano certificati per l'applicazione nell'ambiente nel quale saranno installati.

Per ridurre il rischio di innesco, non aprire l'apparecchio in presenza di un'atmosfera potenzialmente esplosiva.

Dopo la messa in servizio archiviare il presente manuale in un luogo sicuro per successive consultazioni.

10.1.2 Prescrizioni di sicurezza

Assicurarsi di aver preso tutte le prescrizioni di sicurezza riguardo l'incolumità del personale.

Assicurarsi di avere scollegato l'alimentazione prima di eseguire qualsiasi operazione.

Prima di alimentare il sistema, installare un dispositivo di protezione nell'impianto elettrico dell'edificio.

L'installazione elettrica dell'impianto deve essere conforme alle norme locali vigenti.

L'installazione dell'apparecchio deve essere eseguita esclusivamente da personale specializzato.

10.1.3 Prescrizioni di prevenzione delle esplosioni

Utilizzare utensili idonei alla zona in cui si opera.

Si ricorda che il dispositivo deve essere collegato ad una connessione di terra elettrica adeguata.

Prima di effettuare interventi tecnici sull'apparecchio, assicurarsi che non sia presente atmosfera potenzialmente esplosiva.

Prima di effettuare qualsiasi operazione togliere l'alimentazione elettrica.

Non aprire alcun coperchio se vi è la possibilità di trovarsi in presenza di atmosfera potenzialmente esplosiva.

- Effettuare tutti i collegamenti, gli interventi di installazione e manutenzione in atmosfera non esplosiva.

11 Accensione

Collegare l'alimentazione elettrica per accendere l'unità.

Scollegare l'alimentazione elettrica per spegnere l'unità.

11.1 Prima di alimentare il prodotto in atmosfera esplosiva



Assicurarsi che l'unità e gli altri componenti dell'impianto siano chiusi in modo idoneo a impedire il contatto con componenti sotto tensione.



Assicurarsi che l'apparecchio sia stato collegato a un allacciamento a terra nelle modalità indicate nel presente manuale.



Assicurarsi che il fondo posteriore sia chiuso correttamente.



Assicurarsi che la sigillatura dei sistemi di entrata cavi (se presente) sia stata eseguita correttamente lasciando agire il preparato per la sigillatura fino all'indurimento completo.



Assicurarsi che tutti i componenti siano installati in modo sicuro.

12 Manutenzione



Prima di effettuare interventi tecnici sull'apparecchio, assicurarsi che non sia presente atmosfera potenzialmente esplosiva.



ATTENZIONE! L'installazione e la manutenzione del dispositivo deve essere eseguita solo da personale tecnico specializzato.



Prima di effettuare interventi tecnici sull'apparecchio togliere l'alimentazione elettrica.



Il costruttore declina ogni responsabilità per eventuali danni, su tutte le apparecchiature menzionate in questo manuale, derivanti da manomissione, utilizzo di ricambi non originali, installazione, manutenzione e riparazione eseguiti da personale non qualificato.



In caso di danneggiamento la sostituzione o riparazione delle parti interessate deve essere eseguita da VIDEOTEC o sotto la sua supervisione.



Come indicato, qualsiasi sostituzione di ricambi, deve essere eseguita utilizzando solamente ricambi originali VIDEOTEC, seguendo scrupolosamente le istruzioni di manutenzione allegate ad ogni kit di ricambio.



Contattare il costruttore per informazioni sulle dimensioni del giunto antideflagrante.



Si consiglia, per qualunque intervento di manutenzione, di riportare in laboratorio il prodotto per effettuare le operazioni necessarie.

Quando viene contattato il servizio tecnico di VIDEOTEC è necessario fornire il numero di serie unitamente al codice di identificazione dell'apparecchio.

12.1 Sostituzione dei fusibili



ATTENZIONE! Per assicurare la protezione contro il rischio di incendio, sostituire i fusibili con lo stesso tipo e valore. I fusibili devono essere sostituiti solo da personale qualificato.

Il fusibile utilizzato è descritto di seguito.

SOSTITUZIONE DEI FUSIBILI	
Tensione di alimentazione	Fusibile (FUS1)
12Vdc	T 2A H 250V 5x20
24Vdc	T 2A H 250V 5x20
24Vac, 50/60Hz	T 2A H 250V 5x20

Tab. 14

Utilizzare in alternativa un fusibile omologato di pari caratteristiche.

È necessario svitare le viti che fissano la slitta ai distanziali del fondo e scollegare i connettori dalla scheda.

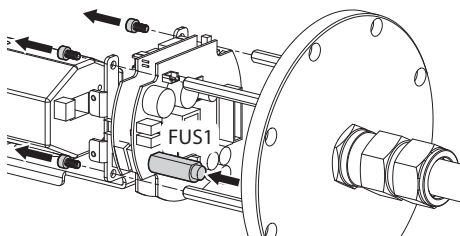
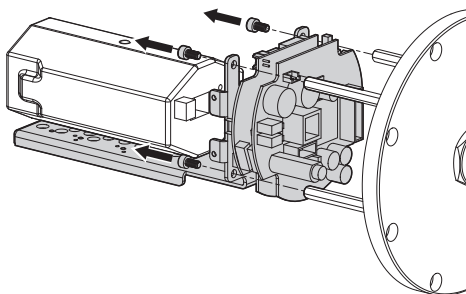


Fig. 23

12.2 Sostituzione della slitta



È necessario svitare le viti che fissano la slitta ai distanziali del fondo e scollegare i connettori dalla scheda.

Fig. 24

12.3 Sostituzione della guarnizione del fondo posteriore

In caso di deterioramento della guarnizione o-ring sostituirla utilizzando quella fornita in dotazione. In mancanza della guarnizione in dotazione utilizzare solo ricambi originali VIDEOTECH.

Sostituire la guarnizione prestando attenzione ad inserirla correttamente nell'apposita sede.

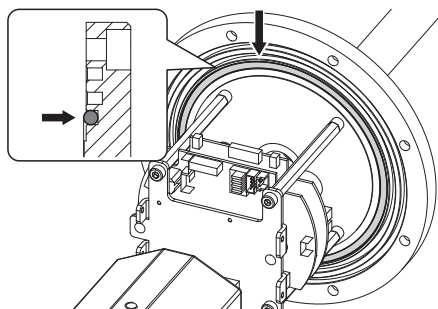


Fig. 25

12.4 Sostituzione della spazzola del tergicristallo

Nei modelli che sono dotati di tergicristallo è possibile effettuare la sostituzione delle spazzole usurate.

Svitare il dado cieco che fissa la spazzola e rimuoverlo. Sostituire la spazzola usurata con una nuova. Riposizionare il dado cieco regolando il fissaggio fino a quando la spazzola aderirà correttamente al vetro. Azionare il tergicristallo per verificare la corretta regolazione della spazzola.

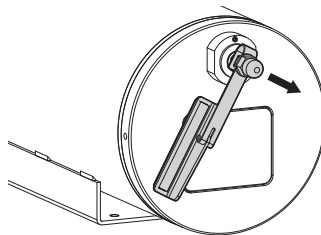


Fig. 26

13 Pulizia

i La frequenza di interventi dipende dalla tipologia dell'ambiente in cui è utilizzato il prodotto.

13.1 Pulizia del vetro

La pulizia deve essere effettuata con acqua o con un altro liquido detergente che non crei situazioni di pericolo.

13.2 Pulizia della finestra in germanio

! La griglia di protezione deve sempre essere presente quando l'unità è in funzione. Il mancato rispetto di questa indicazione può portare a gravi pericoli per la sicurezza del personale e dell'impianto, oltre a far decadere la garanzia.

! Evitare alcool etilico, solventi, idrocarburi idrogenati, acidi forti e alcali. L'utilizzo di detti prodotti danneggia in modo irreparabile la superficie trattata.

! Pulire la finestra prestando attenzione a non graffiare o rigare la superficie esterna trattata con carbon coating. Danneggiando tale rivestimento c'è il rischio di compromettere la trasparenza all'infrarosso della superficie.

La pulizia deve essere effettuata con sapone neutro diluito con acqua.

Togliere la griglia di protezione svitando le viti e le rondelle presenti sul frontale della custodia utilizzando un utensile antiscintilla.

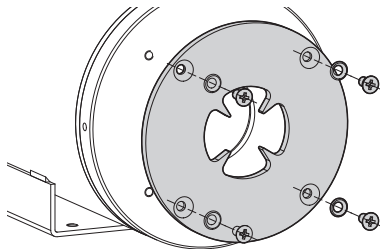


Fig. 27 Griglia piccola.

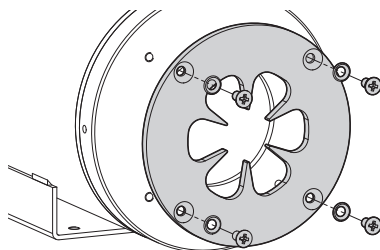


Fig. 28 Griglia grande.

Una volta eseguita la pulizia rimontare la griglia di protezione utilizzando le relative viti e rondelle.

13.3 Pulizia del prodotto

! Sulla superficie esterna del prodotto non deve mai essere presente un accumulo di polvere superiore a 5mm.

La pulizia deve essere effettuata con un panno umido e senza l'utilizzo di aria compressa.

14 Informazioni sullo smaltimento e il riciclo

La Direttiva Europea 2012/19/UE sui Rifiuti di Apparecchiature Elettriche ed Elettroniche (RAEE) prevede che questi apparecchi non debbano essere smaltiti nel normale flusso dei rifiuti solidi urbani, ma che vengano raccolti separatamente per ottimizzare il flusso di recupero e riciclaggio dei materiali che li compongono ed impedire potenziali danni per la salute e per l'ambiente dovuti alla presenza di sostanze potenzialmente pericolose.



Il simbolo del bidone barrato è riportato su tutti i prodotti per ricordarlo.

I rifiuti possono essere conferiti agli appositi centri di raccolta, oppure, possono essere consegnati gratuitamente al distributore dove è stata acquistata l'apparecchiatura all'atto di acquisto di una nuova equivalente o senza obbligo di un acquisto nuovo per le apparecchiature di dimensioni minori di 25cm.

Per ulteriori informazioni sulla corretta dismissione di questi apparecchi ci si può rivolgere al servizio pubblico preposto.

15 Risoluzione dei problemi



Per qualunque problematica non descritta o se i problemi elencati in seguito dovessero persistere, contattare il centro di assistenza autorizzato.

PROBLEMA	Il prodotto non si accende.
CAUSA	Errato cablaggio, rottura del fusibile.
SOLUZIONE	Verificare la corretta esecuzione delle connessioni. Verificare la continuità del fusibile e, in caso di guasto, sostituirlo con il modello indicato.
PROBLEMA	Il tergicristallo è bloccato e non risponde ai comandi.
CAUSA	Tergicristallo bloccato o rotto.
SOLUZIONE	Verificare che il tergicristallo sia libero di muoversi. Verificare che i cavi del tergicristallo non siano scollegati o danneggiati.

16 Dati tecnici

16.1 MAXIMUS MVX

16.1.1 Meccanica

Tettuccio parasole

Tergicristallo integrato

Peso unitario:

- 6kg (solo custodia)
- 8.5kg (custodia con cavo multipolare armato da 4m)
- 12kg (custodia con cavo multipolare armato da 10m)

16.1.2 Pressacavi

Ingresso dei cavi: 1 foro, 3/4", NPT

Pressacavo Ex db 3/4"NPT e cavo multipolare armato preinstallato da 4m/10m o con coda di cavi da 4m/10m (per installazione con conduit, porta conduit e conduit non inclusi)

16.1.3 Finestre per custodia

Materiale: Vetro temperato termicamente

- Dimensioni: 51x41mm
- Spessore: 12mm

16.1.4 Elettrico

Tensione di alimentazione/Corrente assorbita (riscaldamento acceso, Ton 15°C±3°C, Toff 22°C±3°C):

- 24Vac ±10%, 2.2A, 50/60Hz
- 24Vdc ±5%, 2.2A
- 12Vdc ±5%, 3.5A

16.1.5 Rete

Connessione Ethernet (solo per versioni IP del prodotto): 10BASE-T/100BASE-T

Connettore: RJ45

Lunghezza del cavo: 100m max

16.1.6 Comunicazioni seriali

Interfaccia seriale

- Linea RS-485, half-duplex
- Lunghezza del cavo: 1200m max
- Unità indirizzabili: 255 (configurazione tramite OSM)

Protocollo di comunicazione seriale

- PANASONIC 850: 9600baud, 19200baud
- PELCO D: 2400baud, 9600baud
- VIDEOTEC MACRO: 9600baud, 38400baud

16.1.7 Video

Encoder video

- Protocollo di comunicazione: ONVIF, Profilo S
- Configurazione del dispositivo: TCP/IPv4-IPv6, UDP/IPv4-IPv6, HTTP, NTP, DHCP, WS-DISCOVERY, QoS, IGMP (Multicast)
- Streaming: RTSP, RTCP, RTP/IPv4
- Compressione video: H.264/AVC, MJPEG
- Flussi video indipendenti: 2
- Risoluzione immagine: da Full D1 (720x576 per il PAL, 720x480 per NTSC) a 352x240
- Web Server

16.1.8 Interfaccia I/O

Scheda allarme I/O

- Ingressi allarme: 1
- Uscite relè: 1 (1A, 30Vac/60Vdc max)

Lunghezza del cavo: 200m max

Versione con tergenicristallo integrato

- Attivazione tergenicristallo da remoto: 1 ingresso, contatto pulito NO

16.1.9 Telecamere

Potenza assorbita (complessiva, telecamera e ottica)

- Senza video encoder IP: 8W
- Con video encoder IP: 6W

Distanza minima tra la telecamera e la finestra della custodia: 4mm

Dimensioni delle telecamere/Ottiche installabili (WxHxL)

- Senza video encoder: 70mmx65mmx140mm
- Con video encoder: 70mmx65mmx120mm

16.1.10 Ambiente

Installazione per interni ed esterni

Temperatura di esercizio:

- Partenza a freddo da -40°C fino a +65°C
- In funzionamento da -50°C fino a +65°C

Umidità relativa: da 10% fino a 95% (senza condensa)

16.1.11 Certificazioni

ATEX (EN 60079-0: 2012, EN 60079-1: 2014, EN 60079-31: 2014)

- ⊕ II 2 G Ex db IIC T5 Gb
- ⊕ II 2 D Ex tb IIIC T100°C Db IP66/IP68
-60°C ≤ Ta ≤ +65°C
- ⊕ II 2 G Ex db IIC T5 Gb
- ⊕ II 2 D Ex tb IIIC T100°C Db IP66/IP68
-50°C ≤ Ta ≤ +65°C
- ⊕ II 2 G Ex db IIC T6 Gb
- ⊕ II 2 D Ex tb IIIC T85°C Db IP66/IP68
-60°C ≤ Ta ≤ +55°C
- ⊕ II 2 G Ex db IIC T6 Gb
- ⊕ II 2 D Ex tb IIIC T85°C Db IP66/IP68
-50°C ≤ Ta ≤ +55°C

IECEx (IEC 60079-0: 2011 Ed.6, IEC 60079-1: 2014-06 Ed.7, IEC 60079-31: 2013 Ed.2)

- Ex db IIC T5 Gb
- Ex tb IIIC T100°C Db IP66/IP68
-60°C ≤ Ta ≤ +65°C
- Ex db IIC T5 Gb
- Ex tb IIIC T100°C Db IP66/IP68
-50°C ≤ Ta ≤ +65°C
- Ex db IIC T6 Gb
- Ex tb IIIC T85°C Db IP66/IP68
-60°C ≤ Ta ≤ +55°C
- Ex db IIC T6 Gb
- Ex tb IIIC T85°C Db IP66/IP68
-50°C ≤ Ta ≤ +55°C

TYPE 6P, TYPE 4X (UL50E)

IP69 (EN/IEC60529), solo custodia

IP66/IP67/IP68 (2 ore, 5m, EN/IEC60529)

16.2 MAXIMUS MVXT

16.2.1 Meccanica

Tettuccio parasole

Peso unitario:

- 6kg (solo custodia)
- 8.5kg (custodia con cavo multipolare armato da 4m)
- 12kg (custodia con cavo multipolare armato da 10m)

16.2.2 Pressacavi

Ingresso dei cavi: 1 foro, 3/4", NPT

Pressacavo Ex db 3/4"NPT e cavo multipolare armato preinstallato da 4m/10m o con coda di cavi da 4m/10m (per installazione con conduit, porta conduit e conduit non inclusi)

16.2.3 Finestre per custodia

Finestra in germanio (griglia grande)

- Diametro utile: 57mm
- Spessore: 10mm
- Trattamento esterno: antigraffio (Hard Carbon Coating - DLC), antiriflesso
- Trattamento interno: antiriflesso
- Range spettrale: da 7.5µm fino a 14µm
- Trasmissione media (da 7.5µm fino a 11.5µm): 87.3%
- Trasmissione media (da 11.5µm fino a 14µm): 67.3%

Finestra in germanio (griglia piccola)

- Diametro utile: 40mm
- Spessore: 8mm
- Trattamento esterno: antigraffio (Hard Carbon Coating - DLC), antiriflesso
- Trattamento interno: antiriflesso
- Range spettrale: da 7.5µm fino a 14µm
- Trasmissione media (da 7.5µm fino a 11.5µm): 87.5%
- Trasmissione media (da 11.5µm fino a 14µm): 72.1%

16.2.4 Elettrico

Tensione di alimentazione/Corrente assorbita (riscaldamento acceso, Ton 15°C±3°C, Toff 22°C±3°C):

- 24Vac ±10%, 2.2A, 50/60Hz
- 24Vdc ±5%, 2.2A
- 12Vdc ±5%, 3.5A

16.2.5 Rete

Connessione Ethernet (solo per versioni IP del prodotto): 10BASE-T/100BASE-T

Connettore: RJ45

Lunghezza del cavo: 100m max

16.2.6 Comunicazioni seriali

Interfaccia seriale

- Linea RS-485, half-duplex
- Lunghezza del cavo: 1200m max
- Unità indirizzabili: 255 (configurazione tramite OSM)

Protocollo di comunicazione seriale

- PANASONIC 850: 9600baud, 19200baud
- PELCO D: 2400baud, 9600baud
- VIDEOTEC MACRO: 9600baud, 38400baud

16.2.7 Video



Per identificare il modello di encoder video installato è necessario confrontare il codice prodotto presente sull'etichetta di marcatura con la tabella di codifica (5 Codifica del prodotto, pagina 14). Alla colonna Edizione è possibile identificare il modello (A oppure B).

Encoder video (Edizione A)

- Protocollo di comunicazione: ONVIF, Profilo S
- Configurazione del dispositivo: TCP/IPv4-IPv6, UDP/IPv4-IPv6, HTTP, NTP, DHCP, WS-DISCOVERY, QoS, IGMP (Multicast)
- Streaming: RTSP, RTCP, RTP/IPv4
- Compressione video: H.264/AVC, MJPEG
- Flussi video indipendenti: 2
- Risoluzione immagine: da Full D1 (720x576 per il PAL, 720x480 per NTSC) a 352x240
- Web Server

Encoder video (Edizione B)

- Protocollo di comunicazione: ONVIF, Profilo S e Profilo Q
- Streaming: RTSP, RTCP, RTP/IPv4, Multicast
- Compressione video: H.264/AVC, MJPEG, MPEG4, JPEG
- Fino a 3 flussi video simultanei
- Risoluzione immagine: da Full D1 (720x576 per il PAL, 720x480 per NTSC) a 352x240
- Frame rate configurabile da 1 a 60 immagini per secondo (fps)
- Web Server

16.2.8 Interfaccia I/O

Scheda allarme I/O

- Ingressi allarme: 1
- Uscite relè: 1 (1A, 30Vac/60Vdc max)

Lunghezza del cavo: 200m max

16.2.9 Telecamere

Potenza assorbita (complessiva, telecamera e ottica)

- Senza video encoder IP: 8W
- Con video encoder IP: 6W

Distanza minima tra la telecamera e la finestra della custodia: 4mm

Dimensioni delle telecamere/Ottiche installabili (WxHxL)

- Senza video encoder: 70mmx65mmx140mm
- Con video encoder: 70mmx65mmx120mm

16.2.10 Ambiente

Installazione per interni ed esterni

Temperatura di esercizio:

- Partenza a freddo da -40°C fino a +65°C
- In funzionamento da -50°C fino a +65°C

Umidità relativa: da 10% fino a 95% (senza condensa)

16.2.11 Certificazioni

ATEX (EN 60079-0: 2012, EN 60079-1: 2014, EN 60079-31: 2014)

- Ex II 2 G Ex db IIC T5 Gb
- Ex II 2 D Ex tb IIIC T100°C Db IP66/IP68
-60°C ≤ Ta ≤ +65°C
- Ex II 2 G Ex db IIC T5 Gb
- Ex II 2 D Ex tb IIIC T100°C Db IP66/IP68
-50°C ≤ Ta ≤ +65°C
- Ex II 2 G Ex db IIC T6 Gb
- Ex II 2 D Ex tb IIIC T85°C Db IP66/IP68
-60°C ≤ Ta ≤ +55°C
- Ex II 2 G Ex db IIC T6 Gb
- Ex II 2 D Ex tb IIIC T85°C Db IP66/IP68
-50°C ≤ Ta ≤ +55°C

IECEx (IEC 60079-0: 2011 Ed.6, IEC 60079-1: 2014-06 Ed.7, IEC 60079-31: 2013 Ed.2)

- Ex db IIC T5 Gb
- Ex tb IIIC T100°C Db IP66/IP68
-60°C ≤ Ta ≤ +65°C
- Ex db IIC T5 Gb
- Ex tb IIIC T100°C Db IP66/IP68
-50°C ≤ Ta ≤ +65°C
- Ex db IIC T6 Gb
- Ex tb IIIC T85°C Db IP66/IP68
-60°C ≤ Ta ≤ +55°C
- Ex db IIC T6 Gb
- Ex tb IIIC T85°C Db IP66/IP68
-50°C ≤ Ta ≤ +55°C

TYPE 6P, TYPE 4X (UL50E)

IP69 (EN/IEC60529), solo custodia

IP66/IP67/IP68 (2 ore, 5m, EN/IEC60529)

16.3 MAXIMUS MVXHD

16.3.1 Meccanica

Tettuccio parasole

Tergicristallo integrato

Peso unitario:

- 6kg (solo custodia)
- 8.5kg (custodia con cavo multipolare armato da 4m)
- 12kg (custodia con cavo multipolare armato da 10m)

16.3.2 Pressacavi

Ingresso dei cavi: 1 foro, 3/4", NPT

Pressacavo Ex db 3/4"NPT e cavo multipolare armato preinstallato da 4m/10m o con coda di cavi da 4m/10m (per installazione con conduit, porta conduit e conduit non inclusi)

16.3.3 Finestre per custodia

Materiale: Vetro temperato termicamente

Dimensioni: 51x41mm

Spessore: 12mm

16.3.4 Elettrico

Tensione di alimentazione/Corrente assorbita (riscaldamento acceso, Ton 15°C±3°C, Toff 22°C±3°C):

- 24Vac ±10%, 2.2A, 50/60Hz
- 24Vdc ±5%, 2.2A
- 12Vdc ±5%, 3.5A

16.3.5 Video

i Per identificare il modello di encoder video installato è necessario confrontare il codice prodotto presente sull'etichetta di marcatura con la tabella di codifica (5 Codifica del prodotto, pagina 14). Alla colonna Edizione è possibile identificare il modello (A oppure B).

Encoder video (Edizione A)

- Protocollo di comunicazione: ONVIF, Profilo S
- Configurazione del dispositivo: TCP/IPv4-IPV6, UDP/IPv4-IPV6, HTTP, HTTPS, NTP, DHCP, WSDISCOVERY, QoS, DSCP, IGMP (Multicast), SOAP, DNS, SNMP
- Streaming: RTSP, RTCP, RTP/IPv4, Multicast
- Compressione video: H.264/AVC, MJPEG
- 2 flussi video indipendenti Full HD oppure 4 flussi video indipendenti a seconda della configurazione
- Risoluzione immagine: da FullHD a 352x240 in 18 passi
- Frame rate configurabile da 1 a 60 immagini per secondo (fps)
- Web Server
- Motion Detection

Encoder video (Edizione B)

- Protocollo di comunicazione: ONVIF, Profilo S e Profilo Q
- Configurazione del dispositivo: TCP/IPv4-IPV6, UDP/IPv4-IPV6, HTTP, HTTPS, NTP, DHCP, WSDISCOVERY, DSCP, IGMP (Multicast), SOAP, DNS
- Streaming: RTSP, RTCP, RTP/IPv4, HTTP, Multicast
- Compressione video: H.264/AVC, MJPEG, JPEG, MPEG4
- 3 flussi video indipendenti Full HD
- Risoluzione immagine: da 320x180 fino a 1920x1080 in 6 passi
- Frame rate configurabile da 1 a 60 immagini per secondo (fps)
- Web Server
- Motion Detection

16.3.6 Rete

Connessione Ethernet

- Encoder video A: 10BASE-T/100BASE-T
- Encoder video B: 100BASE-TX

Connettore: RJ45

Lunghezza del cavo: 100m max

16.3.7 Interfaccia I/O

Scheda allarme I/O

- Ingressi allarme: 1
- Uscite relè: 1 (1A, 30Vac/60Vdc max)

Lunghezza del cavo: 200m max

16.3.8 Telecamere

Potenza assorbita (complessiva, telecamera e ottica)

- Senza video encoder IP: 8W
- Con video encoder IP: 6W

Distanza minima tra la telecamera e la finestra della custodia: 4mm

Dimensioni delle telecamere/Ottiche installabili (WxHxL)

- Senza video encoder: 70mmx65mmx140mm
- Con video encoder: 70mmx65mmx100mm

16.3.9 Ambiente

Installazione per interni ed esterni

Temperatura di esercizio:

- Partenza a freddo da -40°C fino a +65°C
- In funzionamento da -50°C fino a +65°C

Umidità relativa: da 10% fino a 95% (senza condensa)

16.3.10 Certificazioni

ATEX (EN 60079-0: 2012, EN 60079-1: 2014, EN 60079-31: 2014)

- ⊕ II 2 G Ex db IIC T5 Gb
- ⊕ II 2 D Ex tb IIIC T100°C Db IP66/IP68
-60°C ≤ Ta ≤ +65°C
- ⊕ II 2 G Ex db IIC T5 Gb
- ⊕ II 2 D Ex tb IIIC T100°C Db IP66/IP68
-50°C ≤ Ta ≤ +65°C
- ⊕ II 2 G Ex db IIC T6 Gb
- ⊕ II 2 D Ex tb IIIC T85°C Db IP66/IP68
-60°C ≤ Ta ≤ +55°C
- ⊕ II 2 G Ex db IIC T6 Gb
- ⊕ II 2 D Ex tb IIIC T85°C Db IP66/IP68
-50°C ≤ Ta ≤ +55°C

IECEX (IEC 60079-0: 2011 Ed.6, IEC 60079-1: 2014-06 Ed.7, IEC 60079-31: 2013 Ed.2)

- Ex db IIC T5 Gb
- Ex tb IIIC T100°C Db IP66/IP68
-60°C ≤ Ta ≤ +65°C
- Ex db IIC T5 Gb
- Ex tb IIIC T100°C Db IP66/IP68
-50°C ≤ Ta ≤ +65°C
- Ex db IIC T6 Gb
- Ex tb IIIC T85°C Db IP66/IP68
-60°C ≤ Ta ≤ +55°C
- Ex db IIC T6 Gb
- Ex tb IIIC T85°C Db IP66/IP68
-50°C ≤ Ta ≤ +55°C

TYPE 6P, TYPE 4X (UL50E)

IP69 (EN/IEC60529), solo custodia

IP66/IP67/IP68 (2 ore, 5m, EN/IEC60529)

17 Disegni tecnici

i Le misure indicate sono espresse in millimetri.

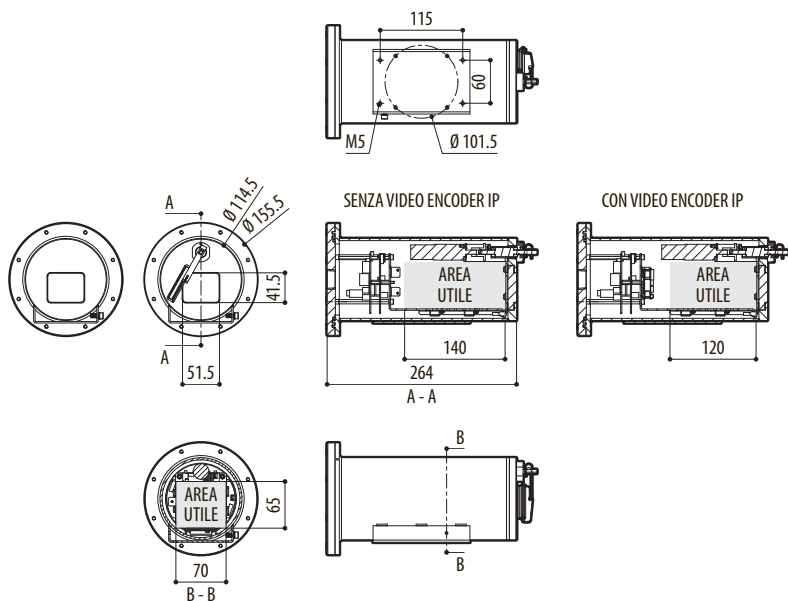


Fig. 29 MAXIMUS MVX.

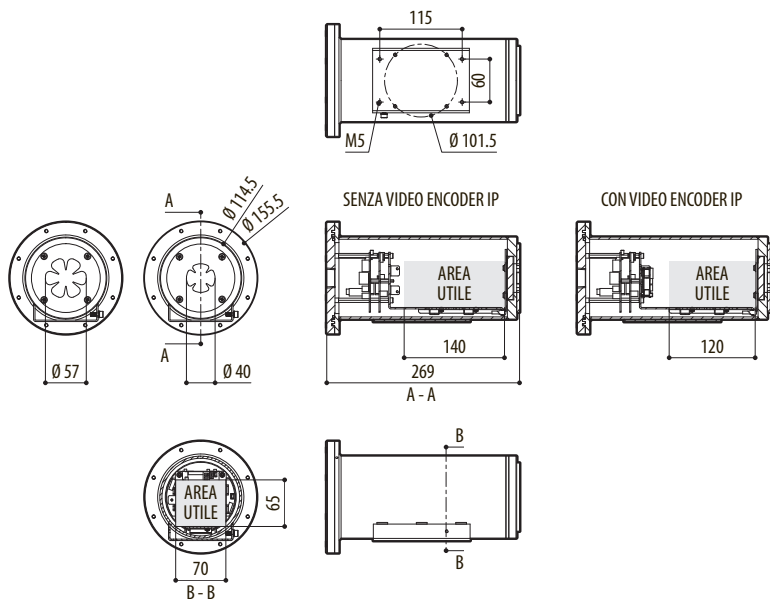


Fig. 30 MAXIMUS MVXT.

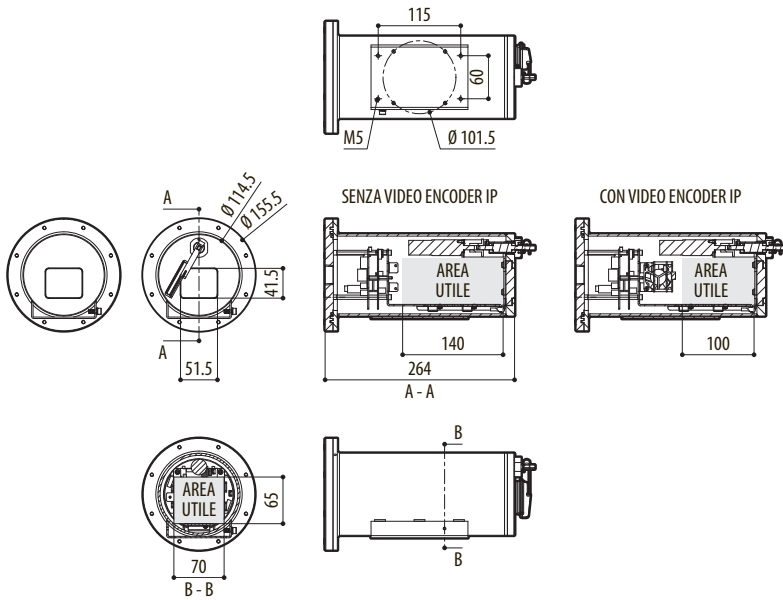


Fig. 31 MAXIMUS MVXHD.

Headquarters Italy Videotec S.p.A.
Via Friuli, 6 - I-36015 Schio (VI) - Italy
Tel. +39 0445 697411 - Fax +39 0445 697414
Email: info@videotec.com

Asia Pacific Videotec (HK) Ltd
Flat 8, 19/F. On Dak Industrial Building, No. 2-6 Wah Sing Street
Kwai Chung, New Territories - Hong Kong
Tel. +852 2333 0601 - Fax +852 2311 0026
Email: info.hk@videotec.com

France Videotec France SARL
Immeuble Le Montreal, 19bis Avenue du Québec, ZA de Courtaboeuf
91140 Villebon sur Yvette - France
Tel. +33 1 60491816 - Fax +33 1 69284736
Email: info.fr@videotec.com

Americas Videotec Security, Inc.
Gateway Industrial Park, 35 Gateway Drive, Suite 100
Plattsburgh, NY 12901 - U.S.A.
Tel. +1 518 825 0020 - Fax +1 518 825 0022
Email: info.usa@videotec.com



www.videotec.com

MNVCMVXTHD_1813_IT

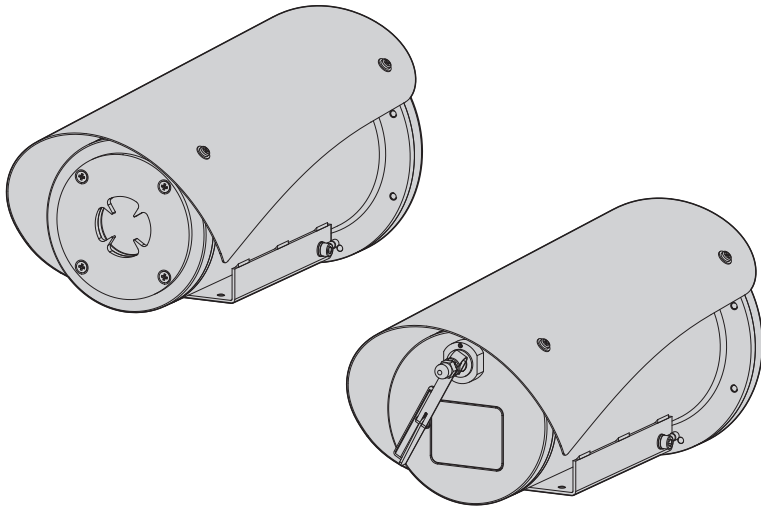
Ex
IP66/IP68



MAXIMUS MVX, MAXIMUS MVXT, MAXIMUS MVXHD

Caisson antidéflagrant en acier Inox

MANUEL A



1 À propos de ce mode d'emploi	7
1.1 Conventions typographiques	7
2 Notes sur le copyright et informations sur les marques de commerce	7
3 Normes de sécurité.....	7
3.1 Détails du certificat ATEX-IECEx.....	10
3.1.1 Température	10
3.1.2 Caractéristiques des caméras pouvant être installées.....	10
3.1.3 Notice d'instructions d'installation	10
3.1.4 Notice d'instructions de montage.....	11
3.1.5 Conditions spéciales pour une utilisation en sécurité	11
3.1.6 Informations supplémentaires	11
4 Identification.....	11
4.1 Description et désignation du produit	11
4.2 Marquage du produit.....	12
5 Code du produit.....	14
6 Versions	15
6.1 Vitre trempé.....	15
6.2 Essuie-glace intégré.....	15
6.3 Fenêtre en germanium	15
7 Préparation du produit en vue de l'utilisation.....	16
7.1 Précautions de sécurité avant l'utilisation	16
7.2 Déballage.....	17
7.3 Contenu.....	17
7.4 Élimination sans danger des matériaux d'emballage.....	17
7.5 Opérations à effectuer avant l'installation.....	17
7.5.1 Fixation sur parapet.....	18
7.5.2 Fixation avec étrier	18
7.5.3 Fixation avec poteau ou module adaptateur angulaire	19
7.5.3.1 Fixation avec poteau	19
7.5.3.2 Fixation avec module angulaire	19
8 Assemblage.....	20
8.1 Champ d'utilisation.....	20
8.2 Ouverture du caisson	20
8.3 Description de la carte de contrôle	21
8.4 Description de la carte de connexion	21
8.5 Installation de la caméra	22
8.6 Branchement de la caméra	22
9 Installation	23
9.1 Entrée câbles	23
9.2 Connexion de la carte de connexion.....	24
9.2.1 Connexion de la ligne d'alimentation	24

9.2.2 Connexion du câble vidéo	25
9.2.2.1 Connexion du câble vidéo (signal analogique en sortie).....	25
9.2.2.2 Connexion du câble vidéo (caméra IP générique).....	25
9.2.2.3 Connexion du câble vidéo (signal numérique en sortie)	25
9.2.3 Connexion des câbles de signalisation.....	25
9.2.3.1 Raccordement de la ligne série	25
9.2.3.2 Branchement des relais	26
9.2.3.3 Branchement de l'essuie-glace.....	26
9.3 Mise à terre.....	26
9.4 Fermeture du caisson.....	27
9.5 Fixation du double toit	27
10 Instructions de sécurité concernant le fonctionnement	28
10.1 Fonctionnement en conditions de sécurité	28
10.1.1 Mise en service.....	28
10.1.2 Précautions de sécurité.....	28
10.1.3 Précautions contre les explosions.....	28
11 Allumage	29
11.1 Avant d'alimenter le produit en atmosphère explosive.....	29
12 Entretien.....	29
12.1 Remplacement des fusibles.....	30
12.2 Substitution de la glissière.....	30
12.3 Remplacement du joint du fond arrière	30
12.4 Remplacement du balai de l'essuie-glace.....	30
13 Nettoyage.....	31
13.1 Nettoyage de la vitre.....	31
13.2 Nettoyage de la fenêtre en germanium.....	31
13.3 Nettoyage du produit	31
14 Informations sur l'élimination et le recyclage.....	32
15 Dépannage.....	32
16 Données techniques.....	33
16.1 MAXIMUS MVX	33
16.1.1 Mécanique.....	33
16.1.2 Presse-étoupes.....	33
16.1.3 Fenêtres pour caisson.....	33
16.1.4 Électrique	33
16.1.5 Réseau	33
16.1.6 Communication sérielles	33
16.1.7 Vidéo	33
16.1.8 Interface I/O	33
16.1.9 Caméras	34
16.1.10 Environnement.....	34
16.1.11 Certifications	34
16.2 MAXIMUS MVXT.....	35
16.2.1 Mécanique.....	35
16.2.2 Presse-étoupes.....	35
16.2.3 Fenêtres pour caisson.....	35

16.2.4 Électrique	35
16.2.5 Réseau	35
16.2.6 Communication sérielles	35
16.2.7 Vidéo	35
16.2.8 Interface I/O	36
16.2.9 Caméras	36
16.2.10 Environnement	36
16.2.11 Certifications	36
16.3 MAXIMUS MVXHD.....	37
16.3.1 Mécanique.....	37
16.3.2 Presse-étoupes.....	37
16.3.3 Fenêtres pour caisson.....	37
16.3.4 Électrique	37
16.3.5 Vidéo	37
16.3.6 Réseau	38
16.3.7 Interface I/O	38
16.3.8 Caméras	38
16.3.9 Environnement	38
16.3.10 Certifications	38
17 Dessins techniques.....	39

1 À propos de ce mode d'emploi

Avant d'installer et d'utiliser cette unité, lire attentivement toute la documentation fournie. Garder le manuel à portée de main pour des consultations successives.

1.1 Conventions typographiques



DANGER!
Danger d'explosion.
Lire avec attention pour éviter tout risque d'explosion.



DANGER!
Risque élevé.
Risque de choc électrique. Sauf indication contraire, sectionner l'alimentation avant de procéder à toute opération.



ATTENTION!
Risque moyen.
Opération extrêmement importante en vue d'un fonctionnement correct du système. Lire avec attention les opérations indiquées et s'y conformer rigoureusement.



REMARQUE
Description des caractéristiques du système. Il est conseillé de procéder à une lecture attentive pour une meilleure compréhension des phases suivantes.

2 Notes sur le copyright et informations sur les marques de commerce

Les noms de produit ou de sociétés cités sont des marques de commerce ou des marques de commerce enregistrées.

3 Normes de sécurité



ATTENTION! Les connexions équipotentielles externes doivent être effectuées en utilisant l'œillet présent à l'extérieur du produit. À ne pas utiliser comme borne de protection.

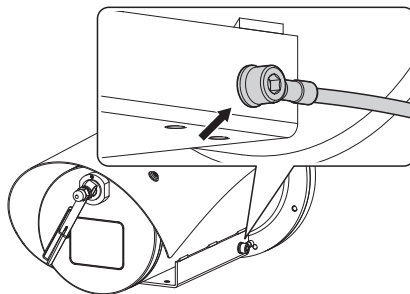


Fig. 1



ATTENTION! Le circuit électrique auquel l'unité est reliée doit être équipé d'un interrupteur de protection bipolaire automatique de 10A max. La distance minimale entre les de l'interrupteur de protection contacts doit être de 3mm. L'interrupteur doit être équipé de protection contre le courant de défaut vers la terre (différentiel) et le surintensité (magnétothermique).



ATTENTION! L'installation est du type TNV-1. Ne pas la connecter à des circuits SELV.



ATTENTION! L'installation et l'entretien du dispositif doivent être effectués exclusivement par un personnel technique qualifié.



ATTENTION! Pour assurer la protection contre le risque d'incendie, remplacer les fusibles avec le même type et valeur. Les fusibles doivent être remplacés seulement par un personnel qualifié.



ATTENTION! L'appareil doit être branché à un conducteur de terre (mise à terre de protection). Le branchement doit être effectué uniquement à l'aide de la connexion interne (J7, 8.4 Description de la carte de connexion, page 21 e 9.2.1 Connexion de la ligne d'alimentation, page 24).

- Lire les instructions.
- Conserver les instructions.
- Respecter toutes les mises en garde.
- Respecter toutes les instructions.
- Pour réduire le risque d'allumage, ne pas ouvrir ou débrancher l'appareil dans une atmosphère potentiellement explosive. Garder le produit fermé pendant l'utilisation.
- L'installation de l'appareil doit être effectuée par du personnel technique spécialisé conformément au code de référence applicable IEC/EN60079-14.
- La température des surfaces de l'appareil augmente en cas d'exposition directe à la lumière solaire. La classe de température à la surface de l'appareil a été calculée seulement à température ambiante, sans tenir compte de l'exposition directe à la lumière solaire.
- Choisir une surface d'installation suffisamment résistante et adaptée pour soutenir le poids de l'appareil, en tenant compte des conditions particulières du milieu, comme l'exposition à des vents forts.
- Etant donné que l'utilisateur est responsable du choix de la surface de fixation, le fabricant ne fournit pas dans la livraison les dispositifs de fixation de l'unité à la surface. L'installateur est responsable de choisir des dispositifs adaptés à la surface à disposition. Il est conseillé d'utiliser des méthodes et des matériaux en mesure de supporter un poids au moins 4 fois supérieur à celui de l'appareil.
- Avant d'alimenter l'appareil, s'assurer qu'il est solidement fixé.
- L'appareil est destiné à l'installation dans une Position ayant un Accès Limité, effectuée par du personnel technique qualifié.
- L'isolation principale doit être effectuée à l'extérieur du produit par l'intermédiaire d'un transformateur de sécurité et / ou d'un alimentateur à tension continue isolée.
- Pour alimenter le produit, utiliser un transformateur de sécurité et / ou un alimentateur isolé à tension continue ayant les caractéristiques adéquates. Les caractéristiques d'alimentation en sortie ne doivent pas dépasser les valeurs indiquées ci-après. Tension d'alimentation: 26.4V_{ac} ou 26.4V_{dc} max. Courant distribué: 5A max.
- L'installation électrique doit être équipée d'un sectionneur de réseau facile à reconnaître et à utiliser en cas de nécessité.
- Pour les interventions de l'assistance techniques, s'adresser exclusivement à du personnel technique agréé.
- Le fabricant décline toute responsabilité pour les dommages éventuels dus à une utilisation non appropriée des appareils mentionnés dans ce manuel. On réserve en outre le droit d'en modifier le contenu sans préavis. La documentation contenue dans ce manuel a été rassemblée et vérifiée avec le plus grand soin. Le fabricant, cependant, ne peut assumer aucune responsabilité dérivant de l'emploi de celle là. La même chose vaut pour chaque personne ou société impliquées dans la création et la production de ce manuel.
- Sectionner l'alimentation avant de procéder à toute opération.
- Ne pas utiliser de câbles usés ou endommagés.
- Ne procéder sous aucun prétexte à des modifications ou des connexions non prévues dans ce manuel. L'utilisation d'appareils non adéquats peut comporter des dangers graves pour la sécurité du personnel et de l'installation.
- Utiliser uniquement des pièces de rechange d'origine. Les pièces non d'origine peuvent être source d'incendies, de choc électrique ou autres.
- Avant de procéder à l'installation, contrôler que le matériel fourni correspond à la commande et examiner les étiquettes de marquage (4.2 Marquage du produit, page 12).

- Cet appareil est conçu pour être fixé et relié de manière permanente sur un bâtiment ou une structure adéquate. L'appareil doit être fixé et relié de manière permanente avant d'effectuer toute opération.
- Il faut respecter les législations nationales pour l'installation du dispositif.
- L'installation électrique doit être équipée d'un sectionneur de réseau facile à reconnaître et à utiliser en cas de nécessité.
- Ce produit appartient à la Classe A. Dans un milieu résidentiel ce produit peut être la cause de radioperturbations. Dans ce cas il est préférable de prendre des mesures appropriées.
- Raccorder le système à une source d'alimentation conforme à celle figurant sur l'étiquette de marquage du produit. Avant de procéder à l'installation, vérifier que la ligne électrique est sectionnée. Pour les dispositifs alimentés à 24Vac, la tension d'alimentation doit être comprise dans les limites ($\pm 10\%$). Pour les dispositifs alimentés à 12Vdc et 24Vdc, la tension d'alimentation doit être comprise dans les limites ($\pm 5\%$).
- En cas d'alimentation à 24 Vac, une coupure appropriée de la ligne d'alimentation AC doit être prévue, en fournissant une isolation double ou renforcée entre la ligne d'alimentation principale et le circuit secondaire.
- Pour être conforme aux règlements sur les chutes et les coupures de tension d'alimentation, veuillez utiliser un onduleur (UPS) approprié pour alimenter l'appareil.
- Effectuer tous les branchements, les interventions d'installation et d'entretien dans une atmosphère non explosive.
- La catégorie d'installation (ou catégorie de surtension) spécifie les niveaux de la tension de secteur correspondant à l'appareil. La catégorie dépend du lieu d'installation et du dispositif de protection contre les surtensions installé. En cas d'environnement industriel directement connecté aux circuits de dérivation du système d'alimentation, l'équipement est classé dans la catégorie d'installation III. Dans ce cas, un déclassement à la catégorie II est nécessaire. Peut être obtenu au moyen d'un transformateur d'isolement avec blindage électrostatique entre le primaire et le secondaire ou en utilisant des dispositifs de protection contre les surtensions (SPD) entre la phase et le neutre et entre le neutre et la terre. Les dispositifs SPD doivent être prévus pour limiter les surtensions transitoires en mode répétitif et pour les conditions nominales de fonctionnement suivantes: Type 2 (dispositifs SPD reliés en permanence au côté charge du côté du dispositif de protection contre les surintensités) ; courant nominal de décharge (I_n) 20kA min. Exemples d'utilisation possible : FERRAZ SHAWMUT, ST23401PG-CN, ST240SPG-CN spécifiés pour 120Vac/240Vca, ($I_n=20kA$). La distance maximale entre installation et réduction est de 5m.
- Variations nationales pour Norvège et Suède.: Les appareils branchés à la terre de l'installation du bâtiment à travers le branchement au réseau ou autre dispositif équipé de branchement à la terre de protection (et à un système de distribution par câble, en utilisant un câble coaxial) peuvent dans certains cas créer un danger d'incendie. Le branchement à un système de distribution via câble doit donc être fourni à travers un dispositif qui fournit une isolation électrique sous une certaine gamme de fréquence (isolateur galvanique, voir EN60728-11). En Norvège, selon le règlement pour installations de systèmes de distribution via câble, et en Suède, un isolateur galvanique doit fournir l'isolation électrique à une fréquence inférieure à 5MHz. L'isolation doit résister à une rigidité diélectrique de 1,5kV rms, 50Hz ou 60Hz, pendant 1 min.
- Utstyr som er koplet til beskyttelsesjord via nettplugg og/eller via annet jordtilkoplet utstyr - og er tilkoplet et kabel-TV nett, kan forårsake brannfare. For å unngå dette skal det ved tilkopling av utstyret til kabel-TV nettet installeres en galvanisk isolator mellom utstyret og kabel-TV nettet.

3.1 Détails du certificat ATEX-IECEx

3.1.1 Température

Le rapport entre la température ambiante, les groupes de gaz et le marquage EX est comme reporté ci-après :

DÉTAILS DE MARQUAGE		
Température ambiante	Marquage ATEX	Marquage IECEx
-60°C ≤ Ta ≤ +65°C	⊕ II 2 G Ex db IIC T5 Gb	Ex db IIC T5 Gb
-50°C ≤ Ta ≤ +65°C	⊕ II 2 D Ex tb IIIC T100°C Db IP66/IP68	Ex tb IIIC T100°C Db IP66/IP68
-60°C ≤ Ta ≤ +55°C	⊕ II 2 G Ex db IIC T6 Gb	Ex db IIC T6 Gb
-50°C ≤ Ta ≤ +55°C	⊕ II 2 D Ex tb IIIC T85°C Db IP66/IP68	Ex tb IIIC T85°C Db IP66/IP68

Tab. 1

3.1.2 Caractéristiques des caméras pouvant être installées

CARACTÉRISTIQUES DES CAMÉRAS POUVANT ÊTRE INSTALLÉES				
	Consommation		Dimensions (WxHxL)	
Caisson	Avec encodeur vidéo IP	Sans encodeur vidéo IP	Avec encodeur vidéo IP	Sans encodeur vidéo IP
MVX	6W	8W	70mmx65mmx120mm	70mmx65mmx140mm
MVXT	6W	8W	70mmx65mmx120mm	70mmx65mmx140mm
MVXHD	6W	8W	70mmx65mmx100mm	70mmx65mmx140mm

Tab. 2

3.1.3 Notice d'instructions d'installation

Tous les connecteurs/serre-câbles doivent être certifiés ATEX/IECEx, de manière appropriée, comportant une protection résistante aux explosions "db" et/ou "tb", IP66/IP68, adaptés pour les conditions d'utilisation et installés correctement.

Lorsque le conduit est utilisé, un raccord de blocage certifié ATEX/IECEx, doit être employé, de manière appropriée, comportant une protection résistante aux explosions "db" et/ou "tb", IP66/IP68, adapté pour les conditions d'utilisation et installé correctement. Le raccord de blocage doit être placé à 50mm (1.97in) au plus du dispositif.

Les entrées pour les câbles non utilisés doivent être scellées à l'aide de dispositifs de fermeture certifiés ATEX/IECEx, de manière appropriée, comportant une protection résistante aux explosions "db" et/ou "tb", IP66/IP68, adaptés pour les conditions d'utilisation et installés correctement.

Pour une température ambiante inférieure à -10°C, utiliser des câbles adaptés à la température ambiante minimale.

Il faut utiliser des câbles, des presse-étoupes, des accessoires ou d'autres éléments de raccordement adaptés pour résister à une température supérieure à : +80°C

3.1.4 Notice d'instructions de montage



Le caisson peut être installé dans n'importe quelle position.

3.1.5 Conditions spéciales pour une utilisation en sécurité

- Les caméras à installer ne doivent pas être électromagnétiques ni contenir de lasers, sources d'ondes continues, ni d'appareils irradiant de l'énergie à ultrasons.
- Les caméras installables ne doivent pas contenir de piles ni de batteries.
- Les caméras doivent être de formes géométriques basiques.
- L'espace entre la caméra installée et la surface interne de la fenêtre du caisson doit être le suivant: 4mm

3.1.6 Informations supplémentaires

Le produit ont réussi positivement les tests d'Ingress Protection conformément à EN/IEC60529: IP66, IP68.

4 Identification

4.1 Description et désignation du produit

Le caisson antidéflagrant de la série MAXIMUS MVX a été conçu afin de pouvoir utiliser des caméras en milieux industriels où peuvent se manifester des atmosphères explosives dues à des gaz, vapeurs, brouillards, ou à des mélanges d'air ou de poussières.

Les caissons MAXIMUS MVX sont construits en acier inox microbillé AISI 316L.

La bride arrière incorpore la glissière interne où la caméra doit être positionnée, elle contient également la partie de gestion de l'électronique interne qui gère l'alimentation et les dispositifs de chauffage du caisson.

L'entrée des câbles s'effectue à travers un trou fileté 3/4" NPT réalisé sur le fond postérieur. Les connexions doivent être faites conformément aux normes IEC / EN60079-14.

Les caissons de la famille MAXIMUS MVX ont un degré de protection IP66/IP68 et peuvent être installés aux températures suivantes.

T5: de -60°C jusqu'à +65°C ou de -50°C jusqu'à +65°C

T6: de -60°C jusqu'à +55°C ou de -50°C jusqu'à +55°C

4.2 Marquage du produit

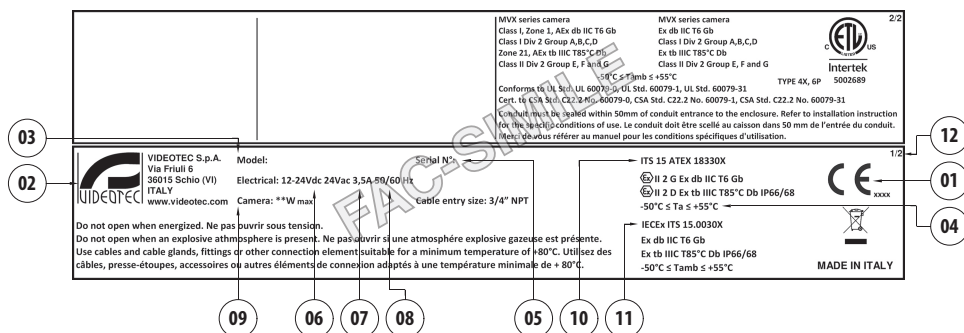


Fig. 2

1. Marquage CE et numéro de l'organisme accrédité pour vérifier la conformité de la production.
2. Nom et adresse du fabricant
3. Code d'identification du modèle
4. Température ambiante d'utilisation se référant au code d'identification du modèle
5. Numéro de série (le second et le troisième chiffre indiquent l'année de production)
6. Tension d'alimentation (V)
7. Courant absorbé (A)
8. Fréquence (Hz)
9. Consommation de la caméra/optique (W)
 10. Certification ATEX:
 - Numéro de certificat ATEX
 - Classement du type de zone, de la méthode de protection, de la classe de température pour lesquels l'emploi de ce produit est permis selon la directive ATEX

MARQUAGE ATEX		
Température ambiante	Marquage gaz	Marquage poussières
-60°C to +65°C	⊕ II 2 G Ex db IIC T5 Gb	⊕ II 2 D Ex tb IIIC T100°C Db
-50°C to +65°C		
-60°C to +55°C	⊕ II 2 G Ex db IIC T6 Gb	⊕ II 2 D Ex tb IIIC T85°C Db
-50°C to +55°C		

Tab. 3

11. Certification IECEx:

- Numéro de certificat IECEx
- Classement du type de zone, de la méthode de protection, de la classe de température pour lesquels l'emploi de ce produit est permis selon la directive IECEx

MARQUAGE IECEx		
Température ambiante	Marquage gaz	Marquage poussières
-60°C to +65°C	Ex db IIC T5 Gb	Ex tb IIIC T100°C Db
-50°C to +65°C		
-60°C to +55°C	Ex db IIC T6 Gb	Ex tb IIIC T85°C Db
-50°C to +55°C		

Tab. 4

12. On peut trouver dans le caisson des étiquettes supplémentaires qui reportent le marquage d'ultérieures certifications. Les étiquettes seront numérotées et le détail du marquage sera reporté dans un document supplémentaire qui accompagnera le produit.

5 Code du produit

MAXIMUS MVX - CODE DU PRODUIT														
	Tension		Caméra		Accessoires		Connexion		Sortie vidéo		Modèles		Édition	
MVX	2	12Vdc-24Vdc/24Vac	00	Sans caméra	S	Sans accessoires	0	Sans câble, sans presse-étoupe	0	Analogique	00	T5 -60°C/+65°C	A	Première édition
			**	Caméra pré-installée	W	Avec essuie-glace	*	Dispositifs de connexion	Z	IP H.264	01	T5 -50°C/+65°C		
											02	T6 -60°C/+55°C		
											03	T6 -50°C/+55°C		

Tab. 5

MAXIMUS MVXT - CODE DU PRODUIT																
	Tension		Caméra		Accessoires		Connexion		Sortie vidéo		Modèles		Édition		Fréquence caméra thermique	
MVXT	2	12Vdc-24Vdc/24Vac	00	Sans caméra	S	Sans accessoires	0	Sans câble, sans presse-étoupe	0	Analogique	00	T5 -60°C/+65°C	A	Première édition	Vide	7.5-8.3Hz
			**	Caméra pré-installée			*	Dispositifs de connexion	Z	IP H.264	01	T5 -50°C/+65°C	B	Deuxième édition	H	25-30Hz
											02	T6 -60°C/+55°C				
											03	T6 -50°C/+55°C				

Tab. 6

MAXIMUS MVXHD - CODE DU PRODUIT														
	Tension		Caméra		Accessoires		Connexion		Sortie vidéo		Modèles		Édition	
MVXHD	2	12Vdc-24Vdc/24Vac	00	Sans caméra	S	Sans accessoires	0	Sans câble, sans presse-étoupe	0	Sans encodeur vidéo	00	T5 -60°C/+65°C	A	Première édition
			**	Caméra pré-installée	W	Avec essuie-glace	*	Dispositifs de connexion	Z	IP H.264	01	T5 -50°C/+65°C	B	Deuxième édition
											02	T6 -60°C/+55°C		
											03	T6 -50°C/+55°C		

Tab. 7

6 Versions

6.1 Vitre trempé

Le produit peut être muni de verre trempé.

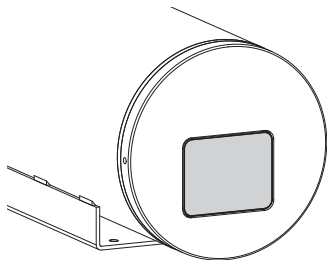


Fig. 3

6.2 Essuie-glace intégré

Le produit peut être équipé d'un essuie-glace.

L'essuie-glace intégré peut être commandé à distance par un clavier ou contact sec.

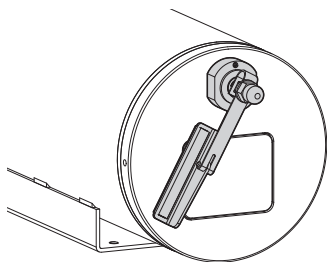


Fig. 4

6.3 Fenêtre en germanium



La grille de protection doit toujours être présente lorsque l'unité fonctionne. La non observation de cette indication peut entraîner des risques graves pour la sécurité du personnel de l'installation et annuler la garantie.

La version équipée d'une fenêtre en germanium, est prévue pour protéger les caméras thermiques des agressions climatiques extérieures.

Cette version est pourvue d'une grille de protection en acier inox AISI 316L.

Selon la caméra choisie, il est possible d'installer 2 dimensions différentes de fenêtres en germanium avec leurs grilles respectives.

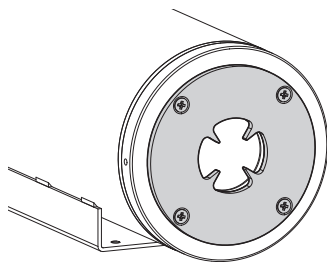


Fig. 5 Petite grille.

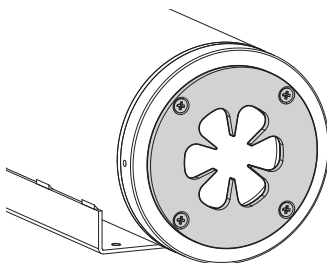



Fig. 6 Grille grande.

7 Préparation du produit en vue de l'utilisation


 Tout changement non expressément approuvé par le fabricant annule la garantie et la certification.

7.1 Précautions de sécurité avant l'utilisation

 S'assurer que tous les appareils soient homologués pour l'utilisation dans le milieu dans lequel ils seront installés.


 Sectionner l'alimentation avant de procéder à toute opération.

 L'installation électrique doit être équipée d'un sectionneur de réseau facile à reconnaître et à utiliser en cas de nécessité.

 Sectionner l'alimentation avant de procéder à toute opération.

 Effectuer les branchements et les essais en laboratoire avant l'installation sur place. Utiliser des outils adéquats.

 Avant d'effectuer toute opération, s'assurer que la tension de la ligne soit correcte.

 Etant donné le poids considérable de l'appareil, utiliser un système de transport et de manutention adéquat. Il est donc conseillé au personnel préposé d'effectuer cette opération en respectant les normes communes de prévention des accidents.

S'il y a possibilité que l'appareil entre en contact avec des substances agressives, l'utilisateur a la responsabilité de prendre des précautions adaptées pour en prévenir l'endommagement et pour ne pas en compromettre le type de protection.

- **Substances agressives:** Liquides acides ou gaz en mesure d'attaquer les métaux ou solvants qui pouvant influencer les matériaux polymériques.
- **Précautions adéquates:** Contrôles réguliers (inspections de routine) ou vérification selon la carte technique de la résistance du matériel aux agents chimiques spécifiques.

Il est de la responsabilité des utilisateurs finaux de s'assurer que les matériaux avec lesquels le produit a été construit sont adaptés au lieu d'installation prévu. En cas de doute, consulter le fabricant.

7.2 Déballage

Lors de la livraison du produit, vérifier que l'emballage est en bon état et l'absence de tout signe évident de chute ou d'abrasion.

En cas de dommages évidents, contacter immédiatement le fournisseur.

En cas de retour du produit défectueux, il est conseillé d'utiliser l'emballage original pour le transport.

Conserver l'emballage en cas de nécessité d'expédition du produit pour réparation.

7.3 Contenu

Contrôler que le contenu correspond à la liste matériel indiquée ci-dessous:

- Caisson antidéflagrant
- Entretoise et vis pour le montage du double toit
- Documentation
- Collier
- Gaine en silicone
- Kit de rechange O-ring
- Manuels d'instructions
- Double toit
- Vis (assemblage du support)

7.4 Élimination sans danger des matériaux d'emballage

Le matériel d'emballage est entièrement composé de matériaux recyclables. Le technicien chargé de l'installation est tenu de l'éliminer conformément aux dispositions en matière de collecte sélective et selon les normes en vigueur dans le pays d'utilisation.

7.5 Opérations à effectuer avant l'installation



Effectuer l'installation en utilisant des outils adéquats. Le lieu dans lequel le dispositif est installé peut toutefois exiger l'utilisation d'outils spécifiques.



L'installateur doit garantir la continuité du branchement à la terre entre le produit installé et l'installation.



Choisir une surface d'installation suffisamment résistante et adaptée pour soutenir le poids de l'appareil, en tenant compte des conditions particulières du milieu, comme l'exposition à des vents forts.



Avant d'alimenter l'appareil, s'assurer qu'il est solidement fixé.



ATTENTION! L'installation et l'entretien du dispositif doivent être effectués exclusivement par un personnel technique qualifié.



Pour l'assistance techniques, s'adresser exclusivement à du personnel technique agréé.



Etant donné que l'utilisateur est responsable du choix de la surface de fixation, le fabricant ne fournit pas dans la livraison les dispositifs de fixation de l'unité à la surface. L'installateur est donc responsable de choisir des dispositifs adaptés à la surface à disposition. En général, il est conseillé d'utiliser des méthodes et des matériaux en mesure de supporter un poids au moins 4 fois supérieur à celui de l'appareil.

L'unité peut être installée avec différents étriers et supports.

Il est conseillé d'utiliser exclusivement des étriers et des accessoires approuvés pour l'installation.

7.5.1 Fixation sur parapet

Avant tout, fixer la base de l'adaptateur au lieu de destination finale. Utiliser des vis pouvant soutenir un poids au moins 4 fois supérieur à celui de l'unité.

Appliquer une bonne quantité de colle frein filet (Loctite 270).

Serrer les vis.

Laisser agir la colle frein filet pendant une heure avant de terminer l'installation.

On peut fixer la base (01) à l'adaptateur à colonne NXFWBT en utilisant les 4 vis noyées (02) en dotation.

Bloquer l'articulation(03) à la base avec des écrous et rondelles fournis.

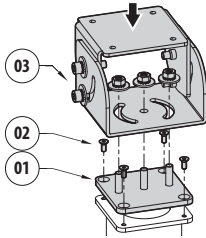


Fig. 7

Fixer le caisson à l'articulation avec les vis et les rondelles fournies.

Appliquer une bonne quantité de colle frein filet (Loctite 270).

Serrer les vis.

⚠ Faire attention pendant la fixation. Couple de serrage: De 6Nm jusqu'à 8Nm.

Laisser agir la colle frein filet pendant une heure avant de terminer l'installation.

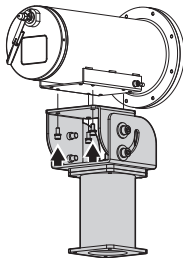


Fig. 8

7.5.2 Fixation avec étrier

Le support peut être fixé directement sur un mur vertical. Utiliser des vis et des dispositifs de fixation murale pouvant soutenir un poids au moins 4 fois supérieur à celui de l'unité.

Pour fixer le dispositif à l'étrier, utiliser 4 rondelles plates, 4 rondelles dentées en acier inox et 4 vis à trou six-pans acier inox fournies en dotation.

S'assurer qu'il n'y ait pas de saleté ou de résidus dans les taraudages.

Appliquer une bonne quantité de colle frein filet (Loctite 270) sur les 4 vis.

Serrer les vis.

Laisser agir la colle frein filet pendant une heure avant de terminer l'installation.

⚠ Faire attention pendant la fixation. Couple de serrage: De 6Nm jusqu'à 8Nm.

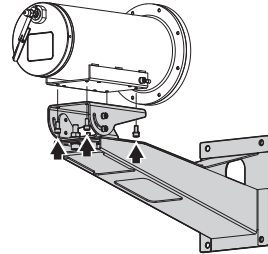


Fig. 9

7.5.3 Fixation avec poteau ou module adaptateur angulaire

Pour installer le produit sur la fixation pour poteau ou face à un angle, il faut d'abord fixer l'unité au support mural (7.5.2 Fixation avec étrier, page 18).

7.5.3.1 Fixation avec poteau

Pour fixer l'étrier de support à la fixation pour poteau, utiliser 4 rondelles pleines, 4 rondelles élastiques en acier inox et 4 vis à tête hexagonale en acier inox (A4 classe 70) de M10x30mm.

S'assurer qu'il n'y ait pas de saleté ou de résidus dans les taraudages.

Appliquer une bonne quantité de produit de freinage du filetage (Loctite 270) sur les 4 trous filetés présents sur le support à la fixation pour poteau.

Serrer les vis.

⚠ Faire attention pendant la fixation. Couple de serrage: 35Nm.

Laisser agir la colle frein filet pendant une heure avant de terminer l'installation.

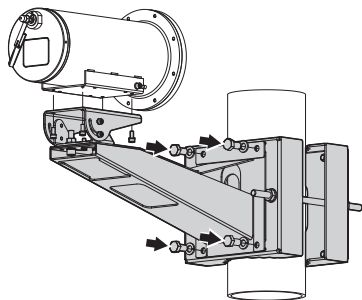


Fig. 10

7.5.3.2 Fixation avec module angulaire

Pour fixer l'étrier de support mural au module adaptateur angulaire, utiliser 4 rondelles pleines, 4 rondelles élastiques en acier inox et 4 vis à tête hexagonale en acier inox (A4 classe 70) de M10x30mm.

S'assurer qu'il n'y ait pas de saleté ou de résidus dans les taraudages.

Appliquer une bonne quantité de produit de freinage du filetage (Loctite 270) sur les 4 trous filetés présents sur le module angulaire.

Serrer les vis.

⚠ Faire attention pendant la fixation. Couple de serrage: 35Nm.

Laisser agir la colle frein filet pendant une heure avant de terminer l'installation.

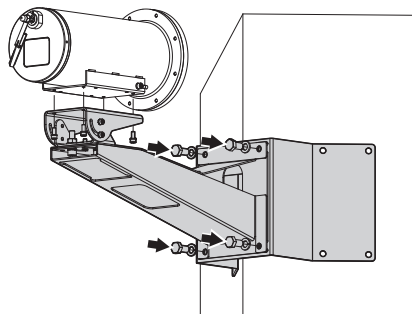



Fig. 11

8 Assemblage

 **Effectuer tous les branchements, les interventions d'installation et d'entretien dans une atmosphère non explosive.**


 **S'assurer que tous les appareils soient homologués pour l'utilisation dans le milieu dans lequel ils seront installés.**

 **ATTENTION!** Le circuit électrique auquel l'unité est reliée doit être équipé d'un interrupteur de protection bipolaire automatique de 10A max. La distance minimale entre les de l'interrupteur de protection contacts doit être de 3mm. L'interrupteur doit être équipé de protection contre le courant de défaut vers la terre (différentiel) et le surintensité (magnétothermique).

 **Il faut effectuer les connexions électriques en absence d'alimentation et lorsque le dispositif de sectionnement ouvert.**

 **L'installation électrique doit être équipée d'un sectionneur de réseau facile à reconnaître et à utiliser en cas de nécessité.**


 **Ne pas utiliser de câbles usés ou endommagés.**

 **ATTENTION!** L'installation et l'entretien du dispositif doivent être effectués exclusivement par un personnel technique qualifié.

 **Il faut respecter les législations nationales pour l'installation du dispositif.**

 **Le caisson peut être installé dans n'importe quelle position.**

 **Les caméras installables ne doivent pas contenir de piles ni de batteries.**

 **VIDEOTEC conseille de tester la configuration et les performances de l'appareils avant de placer celui-ci sur le lieu d'installation définitive.**

8.1 Champ d'utilisation

L'emploi de l'unité est définie pour l'utilisation sur poste fixe pour la surveillance de zones avec atmosphère potentiellement explosive classées 1-21 ou 2-22.

L'unité est construite et certifiée conformément à la directive 2014/34/UE et aux standards internationaux IECEx qui en définissent le champ d'application et les conditions minimales de sécurité.

8.2 Ouverture du caisson


 **Durant les opérations d'ouverture et de fermeture du produit, faire attention de ne pas endommager le joint anti-déflagration.**

Pour installer la caméra, il faut ouvrir le fond arrière du caisson.

Desserrer les vis de fermeture du fond, enlever les rondelles et extraire le fond du corps du caisson.

Caractéristiques des vis

- Diamètre/Pas de la vis: M5x0.8
- Matériau: A4 Class 70
- Tête de la vis: ISO 4762
- Longueur: 12mm
- Tension de la limite d'élasticité (min): 450N/mm²

 **Faire particulièrement attention durant l'ouverture de la version avec essuie-glace intégré. Extraire lentement la glissière pour ne pas endommager les branchements. Débrancher les connecteurs avant d'extraire complètement la glissière.**

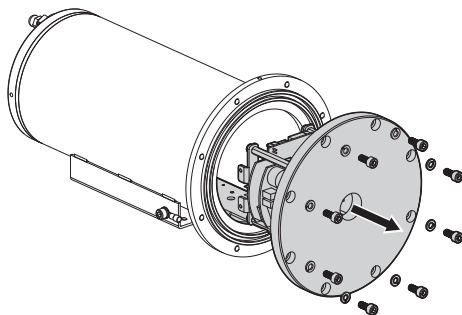


Fig. 12

8.3 Description de la carte de contrôle

DESCRIPTION DE LA CARTE	
Connecteur/ Borne	Fonction
J1	Ligne d'alimentation/Signal vidéo (caméra analogique)
J2	Détecteurs de l'essuie-glace
J3	Relais et alarme (caméra)
J4	Ligne d'alimentation (ventilateur)
J5	Ligne d'alimentation (essuie-glace)
J6	Ligne d'alimentation (caméra)
DIP1	Configuration de la ligne sérielle

Tab. 8

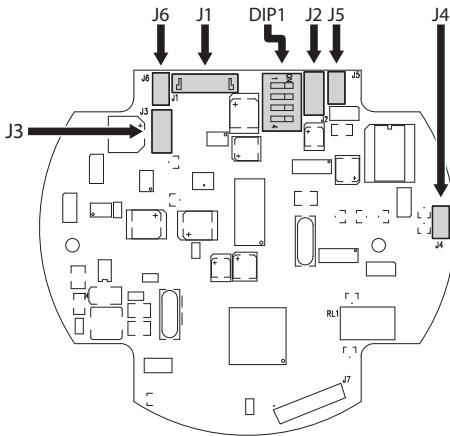


Fig. 13

8.4 Description de la carte de connexion

DESCRIPTION DE LA CARTE	
Connecteur/ Borne	Fonction
J1	Sortie vidéo (numérique)
J5	Sortie vidéo (caméra)
J6	Ligne d'alimentation (vidéo encodeur IP)
J7	Ligne d'alimentation (caisson)
J8	Sortie vidéo (analogique)
J11	Relais, alarmes, ligne sérielle, factory default
J12	Câbles de signal (vidéo encodeur IP)
J13	Alimentation de la camera
FUS1	Fusible

Tab. 9

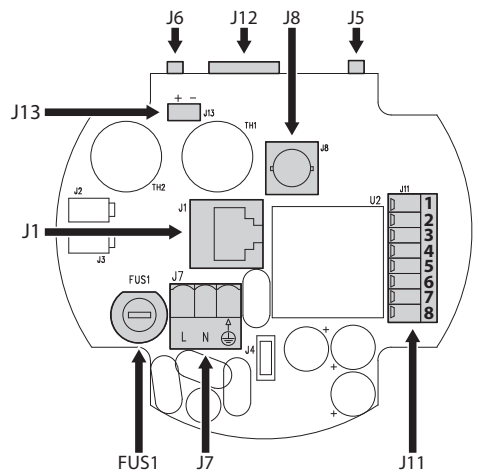


Fig. 14

8.5 Installation de la caméra



Les caméras installables ne doivent pas contenir de piles ni de batteries.



Pour de plus amples informations sur les caméras qui peuvent être installées, se référer au chapitre correspondant. (3.1.2 Caractéristiques des caméras pouvant être installées, page 10).

Monter la caméra/optique sur la glissière interne de sorte que la hauteur d'installation permette une vision parfaite à travers la fenêtre.

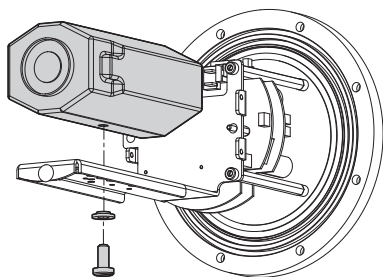


Fig. 15

Distance minimale d'installation entre la caméra et la vitre du caisson: 4mm (la distance coïncide avec le bord de la glissière).

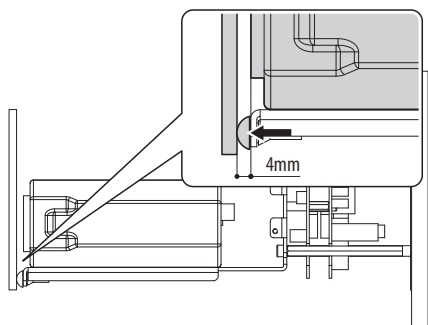


Fig. 16

8.6 Branchement de la caméra

BRANCHEMENT DE LA CAMÉRA			
Version	Alimentation	Signal vidéo	Lignes de communication
Version IP générique	J13 (carte du connecteurs)	Connecteur de la caméra/ Branchement direct à la caméra	-
Version analogique/ Version numérique SD	J1 (carte de contrôle)	J1 (carte de contrôle)	J1 (carte de contrôle)
Version numérique HD	J6 (carte de contrôle)	J12 (carte du connecteurs)	J12 (carte du connecteurs)

Tab. 10



Le câble du signal vidéo de la version IP est branché directement à la caméra.

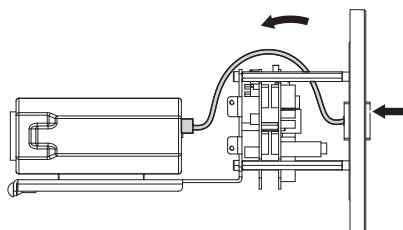



Fig. 17

9 Installation

 **Ne pas ouvrir le dispositif s'il est alimenté et en présence d'atmosphère explosive.**

 **Effectuer tous les branchements, les interventions d'installation et d'entretien dans une atmosphère non explosive.**

 **S'assurer que tous les appareils soient homologués pour l'utilisation dans le milieu dans lequel ils seront installés.**

 **ATTENTION! Le circuit électrique auquel l'unité est reliée doit être équipé d'un interrupteur de protection bipolaire automatique de 10A max. La distance minimale entre les de l'interrupteur de protection contacts doit être de 3mm. L'interrupteur doit être équipé de protection contre le courant de défaut vers la terre (différentiel) et le surintensité (magnétothermique).**

 **Il faut effectuer les connexions électriques en absence d'alimentation et lorsque le dispositif de sectionnement ouvert.**


 **L'installation électrique doit être équipée d'un sectionneur de réseau facile à reconnaître et à utiliser en cas de nécessité.**

 **Ne pas utiliser de câbles usés ou endommagés.**


 **ATTENTION! L'installation et l'entretien du dispositif doivent être effectués exclusivement par un personnel technique qualifié.**

 **Il faut respecter les législations nationales pour l'installation du dispositif.**

 **Le caisson peut être installé dans n'importe quelle position.**

 **Isolez électriquement tous les fils non raccordés.**

 **Les caméras installables ne doivent pas contenir de piles ni de batteries.**

 **VIDEOTEC conseille de tester la configuration et les performances de l'appareils avant de placer celui-ci sur le lieu d'installation définitive.**

9.1 Entrée câbles

Pour prévenir la propagation de flammes ou explosions du dispositif vers le système conduit ou presse-étoupe, et de ceux-ci vers le milieu extérieur, effectuer une connexion conforme à la norme IEC/EN60079-14.

Il ne faut pas utiliser de câbles simples sans gaine à moins qu'ils soient installés à l'intérieur d'un système de conduit.

Tous les serre-câbles doivent être certifiés ATEX/IECEx, de manière appropriée, comportant une protection résistante aux explosions "db" et/ou "tb", IP66/IP68, adaptés pour les conditions d'utilisation et installés correctement.

Il est obligatoire d'installer entre le caisson et l'aire sûre un dispositif enduit de résine (presse-étoupe à barrière ou raccord de blocage).

Lorsque le conduit est utilisé, un raccord de blocage certifié ATEX/IECEx, doit être employé, de manière appropriée, comportant une protection résistante aux explosions "db" et/ou "tb", IP66/IP68, adapté pour les conditions d'utilisation et installé correctement. Le raccord de blocage doit être placé à 50mm (1.97in) au plus du dispositif.


9.2 Connexion de la carte de connexion

9.2.1 Connexion de la ligne d'alimentation

 Il faut effectuer les connexions électriques en absence d'alimentation et lorsque le dispositif de sectionnement ouvert.

 Contrôler que les sources d'alimentation et les câbles de branchement sont en mesure de supporter la consommation du système.

 **ATTENTION!** L'installation est du type TNV-1. Ne pas la connecter à des circuits SELV.

 Vérifier que la source et le câble d'alimentation sont adéquatement dimensionnés.

 Pour effectuer des branchements de mise à terre de protection, utiliser des câbles d'une section adéquate: 2.5mm² (13AWG).


CONNEXION DE LA LIGNE D'ALIMENTATION

Couleur	Bornes
Alimentation 24Vac/24Vdc/12Vdc	
Défini par l'installateur	~/+
Défini par l'installateur	~/-
Jaune/Vert	⊕

Tab. 11

Les câbles d'alimentation doivent être branchés à la borne d'alimentation de la carte des connecteurs en faisant attention à l'endroit où sera fixé le câble de terre. (J7, 8.4 Description de la carte de connexion, page 21).

 Le câble de terre doit être plus long des deux autres d'environ 10mm pour éviter tout détachement accidentel.

 Le câble d'alimentation doit en outre être couvert de la gaine en silicone (01) fournie. La gaine en silicone doit être fixée au moyen du collier prévu (02).

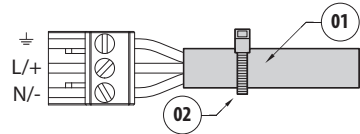


Fig. 18

En fonction du type d'alimentation, respecter les longueurs maximales pour les câbles d'alimentation reportées dans le tableau.

SPÉCIFICATIONS DES CÂBLES

Section du câble	Tension d'alimentation	Longueur maximum du câble
1mm ² (17AWG)	12Vdc	5m
	24Vdc	15m
	24Vac	30m
1.5mm ² (16AWG)	12Vdc	7m
	24Vdc	25m
	24Vac	45m
2.5mm ² (13AWG)	12Vdc	15m
	24Vdc	40m
	24Vac	80m

Tab. 12

9.2.2 Connexion du câble vidéo

ATTENTION! Pour réduire les risques d'incendie, utiliser uniquement des câbles de sections égales ou supérieures à 0.14mm² (26AWG).

Il est conseillé d'utiliser les câbles coaxiaux suivants:

- RG59
- RG174A/U UL1354

Nous recommandons l'utilisation de câbles Ethernet ayant les caractéristiques suivantes:

- STP (blindé)
- Catégorie 5E (ou supérieur)

9.2.2.1 Connexion du câble vidéo (signal analogique en sortie)

Le câble vidéo en sortie du caisson doit être branché à la sortie vidéo analogique. (J8, 8.4 Description de la carte de connexion, page 21).

9.2.2.2 Connexion du câble vidéo (caméra IP générique)

i Ne pas brancher le câble RS-485 et le câble vidéo lors de l'utilisation d'une caméra IP.

Le câble de réseau Ethernet qui sort du caisson doit être branché directement à la caméra IP générique.

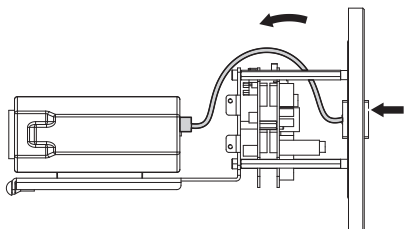


Fig. 19

9.2.2.3 Connexion du câble vidéo (signal numérique en sortie)

i Ne pas brancher le câble RS-485 et le câble vidéo lors de l'utilisation d'une caméra IP.

Le câble de réseau Ethernet qui sort du caisson doit être branché à la sortie vidéo numérique (J1, 8.4 Description de la carte de connexion, page 21).

9.2.3 Connexion des câbles de signalisation

ATTENTION! L'installation est du type TNV-1. Ne pas la connecter à des circuits SELV.

i Utiliser un câble multipolaire blindé. Brancher la tresse du câble blindé au terminal 8 (J11, Tab. 13, page 25).

Les câbles de signal en sortie doivent être branchés au connecteur des relais, alarmes, ligne sérielle, standards d'usine. (J11, 8.4 Description de la carte de connexion, page 21).

DESCRIPTION DE LA BORNE (J11)	
Contacts de la borne	Fonction
1	RS-485 A (+)
2	RS-485 B (-)
3	Relais 1, Terminal A
4	Relais 1, Terminal B
5	Entrée numérique
6	GND
7	Reset
8	Shield

Tab. 13

9.2.3.1 Raccordement de la ligne série

Le produit prévoit une ligne sérielle de communication RS-485, Half-duplex, Terminée à l'intérieur (le commutateur 4 du DIP1 est en position ON par défaut).

Pour les versions avec caméra analogique, il peut être nécessaire de modifier le réglage. Positionner sur OFF le commutateur 4 du DIP1 pour configurer la ligne RS-485 comme Non terminée intérieurement (8.3 Description de la carte de contrôle, page 21).

Brancher la ligne sérielle au connecteur relais, alarmes, ligne sérielle, standards d'usine. (J11, borne 1/borne 2, 8.4 Description de la carte de connexion, page 21).

9.2.3.2 Branchement des relais



Le relais est utilisable avec les spécifications décrites ci-après. Tension de travail: jusqu'à 30Vac ou 60Vdc. Courant: 1A max. Utiliser des câbles d'une section adéquate avec les caractéristiques suivantes: de 0.25mm² (24AWG) jusqu'à 1.5mm² (16AWG).

À cause de l'absence de polarité, les deux extrémités d'un même relais peuvent être utilisées indifféremment avec une tension alternée ou continue.

Le contact sec est de type NO (normalement ouvert).

9.2.3.3 Branchement de l'essuie-glace

On peut actionner l'essuie-glace à distance en utilisant un contact sec NO (normalement ouvert). Brancher les câbles du contact sec au connecteur des relais, alarmes, ligne sérielle, standards d'usine. (J11, borne 5/borne 6, 8.4 Description de la carte de connexion, page 21).

Dans la version avec essuie-glace intégré, brancher les câblages aux connecteurs des détecteurs et de la ligne d'alimentation de l'essuie-glace. (J2, J5, 8.3 Description de la carte de contrôle, page 21).

9.3 Mise à terre



ATTENTION! Les connexions équipotentielles externes doivent être effectuées en utilisant l'œillet présent à l'extérieur du produit. À ne pas utiliser comme borne de protection.

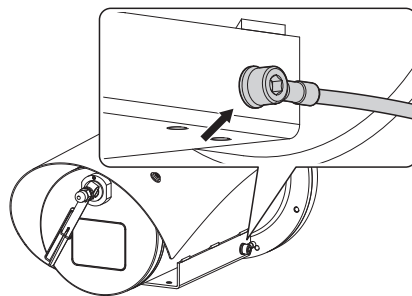


Fig. 20

Le branchement équipotentiel de terre doit être effectué à travers un câble externe d'une section minimale ayant les caractéristiques suivantes: 4mm² (11AWG).

Connecter le câble pour le branchement équipotentiel de terre avec le terminal à œillet fourni. Adapté aux câbles: de 4mm² jusqu'à 6mm².

Fixer l'œillet à l'aide de la vis (M5) et de la rondelle dentelée fournies.

Caractéristiques de la vis (M5)

- Matériau: A4 Class 70
- Tête de la vis: ISO 4762
- Longueur: 12mm

La connexion équipotentielle de terre est nécessaire pour réaliser les connexions supplémentaires prévues par la loi.

9.4 Fermeture du caisson

⚠ Contrôler que le système fonctionne correctement avant de fermer le caisson et d'utiliser l'appareil en présence d'atmosphère explosive.

⚠ Durant les opérations d'ouverture et de fermeture du produit, faire attention de ne pas endommager le joint anti-déflagration.

⚠ Avant de fermer le fond, vérifier l'intégrité du joint torique. Si le joint est endommagé, le remplacer par celui fourni en dotation.

i Dans la version avec essuie-glace intégré, connecter les câblages avant de fermer le caisson (J2, J5, 8.3 Description de la carte de contrôle, page 21).

Vérifier l'absence de saleté ou de résidus.

Placer les câbles de façon à ce qu'il n'y ait pas d'interférences pendant la fermeture du fond.

Introduire le fond dans le corps du caisson en tenant les trous de fermeture alignés entre le fond et le corps du caisson.

⚠ Faire attention de ne pas endommager le joint torique.

Visser les vis et les rondelles enlevées auparavant.

Caractéristiques des vis

- Diamètre/Pas de la vis: M5x0.8
- Matériau: A4 Class 70
- Tête de la vis: ISO 4762
- Longueur: 12mm
- Tension de la limite d'élasticité (min): 450N/mm²

⚠ Toujours utiliser les rondelles fournies pour la fixation des vis.

⚠ Faire attention pendant la fixation. Couple de serrage: De 8Nm jusqu'à 9Nm.

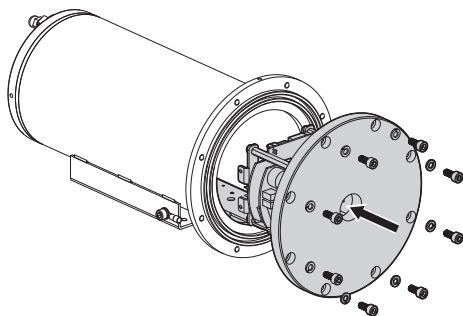


Fig. 21

9.5 Fixation du double toit

i Avant de fixer le toit du caisson, enlever le film de protection (si présent).

Il est possible de fixer le toit au caisson en utilisant les vis fournies.

Appliquer une bonne quantité de colle frein filet (Loctite 270) sur les trous taraudés.

Laisser agir la colle frein filet pendant une heure avant de terminer l'installation.

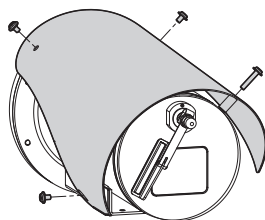


Fig. 22

10 Instructions de sécurité concernant le fonctionnement

10.1 Fonctionnement en conditions de sécurité



Avant d'effectuer les opérations suivantes, s'assurer que la tension d'alimentation soit correcte.

10.1.1 Mise en service

Lire attentivement et complètement ce manuel d'utilisation avant de procéder à l'installation.

VIDEOTEC conseille de tester la configuration et les performances de l'appareils avant de placer celui-ci sur le lieu d'installation définitive. Utiliser des outils adéquats.

Contrôler que le système fonctionne correctement avant de fermer le caisson et d'utiliser l'appareil en présence d'atmosphère explosive.

S'assurer que tous les appareils soient certifiés pour l'application dans le milieu dans lequel ils seront installés.

Pour réduire le risque d'allumage, ne pas ouvrir l'appareil dans une atmosphère potentiellement explosive.

Après la mise en service, ranger ce manuel dans un lieu sûr pour les prochaines consultations.

10.1.2 Précautions de sécurité

S'assurer d'avoir pris toutes les précautions de sécurité concernant la protection du personnel.

S'assurer d'avoir débranché l'alimentation avant d'effectuer toute opération.

Avant d'alimenter le système, installer un dispositif de protection dans le circuit électrique de l'édifice.

L'installation électrique doit être conforme aux normes locales en vigueur.

L'installation de l'appareil doit être effectuée exclusivement par du personnel spécialisé.

10.1.3 Précautions contre les explosions

Utiliser des outils adaptés à la zone dans laquelle on travaille.

Nous rappelons que le dispositif doit être branché à un branchement électrique à terre adéquat.

Avant d'effectuer des interventions techniques sur l'appareil, s'assurer qu'il n'y ait pas d'atmosphère potentiellement explosive.

Avant d'effectuer toute opération, couper l'alimentation électrique.

N'ouvrir aucun couvercle s'il existe la possibilité d'être en présence d'atmosphère potentiellement explosive.


- Effectuer tous les branchements, les interventions d'installation et d'entretien dans une atmosphère non explosive.

11 Allumage

Il suffit de brancher l'alimentation électrique pour allumer l'unité.


Débrancher l'alimentation électrique pour éteindre l'unité.

11.1 Avant d'alimenter le produit en atmosphère explosive

 S'assurer que l'unité et les autres composants de l'installation soient fermés de façon à empêcher le contact avec les composants sous tension.

 S'assurer que l'appareil ait été branché à une connexion à terre selon les modalités indiquées dans ce manuel.


 Vérifier que le fond postérieur est correctement fermé.

 S'assurer que l'imperméabilisation des systèmes d'entrée des câbles (si présents) ait été effectuée correctement, en laissant agir la préparation pour l'imperméabilisation jusqu'à son durcissement complet.


 S'assurer que tous les composants soient installés de façon sécurisée.

12 Entretien


 Avant d'effectuer des interventions techniques sur l'appareil, s'assurer qu'il n'y ait pas d'atmosphère potentiellement explosive.


 ATTENTION! L'installation et l'entretien du dispositif doivent être effectués exclusivement par un personnel technique qualifié.


 Sectionner l'alimentation électrique avant toute intervention technique sur l'appareil.

 Le fabricant décline toute responsabilité en cas de dommage, de tous les appareils mentionnés dans ce manuel, dérivant d'une manipulation, de l'utilisation de pièces détachées non originales, d'installation, de manutention ou d'entretien effectué par un personnel non qualifié.

 En cas de dommages, le remplacement ou la réparation des parties concernées doit être effectuée par VIDEOTEC ou sous sa surveillance.

 Tout remplacement des pièces indiquées doit être effectué en utilisant uniquement des pièces de rechange originales VIDEOTEC, en suivant scrupuleusement les instructions d'entretien annexées avec chaque kit de rechange.

 Contacter le constructeur pour des informations sur les dimensions du joint anti-déflagration.

 Nous conseillons, pour n'importe quelle intervention de maintenance, de rapporter le produit en laboratoire pour effectuer les opérations nécessaires.

Lorsque vous contactez le service technique de VIDEOTEC, il est nécessaire de fournir le numéro de série et le code d'identification de l'appareil.

12.1 Remplacement des fusibles



ATTENTION! Pour assurer la protection contre le risque d'incendie, remplacer les fusibles avec le même type et valeur. Les fusibles doivent être remplacés seulement par un personnel qualifié.

Le fusible utilisé est décrit ci-dessous.

REPLACEMENT DES FUSIBLES	
Tension d'alimentation	Fusible (FUS1)
12Vdc	T 2A H 250V 5x20
24Vdc	T 2A H 250V 5x20
24Vac, 50/60Hz	T 2A H 250V 5x20

Tab. 14

À la place, utiliser un fusible homologué possédant des caractéristiques identiques.

Il est nécessaire de desserrer les vis qui fixent la glissière aux entretoises du fond et débrancher les connecteurs de la carte.

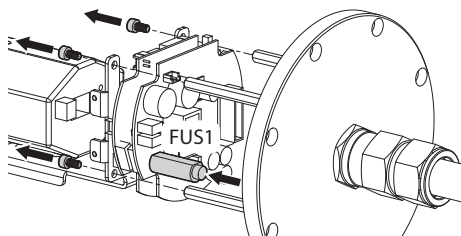
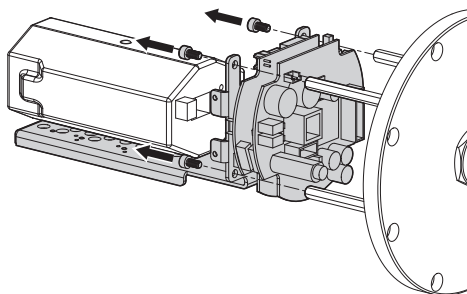


Fig. 23

12.2 Substitution de la glissière



Il est nécessaire de desserrer les vis qui fixent la glissière aux entretoises du fond et débrancher les connecteurs de la carte.

Fig. 24

12.3 Remplacement du joint du fond arrière

En cas de détérioration du joint torique le remplacer en utilisant le joint fourni en dotation. S'il n'y a pas de joint en dotation, n'utiliser que des pièces de rechange originales VIDEOTECH.

Remplacer le joint en faisant attention de l'introduire correctement dans le logement prévu à cet effet.

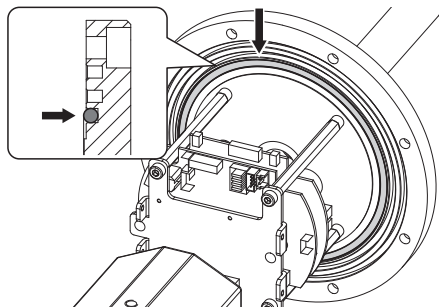


Fig. 25

12.4 Remplacement du balai de l'essuie-glace

Sur les modèles équipés d'essuie-glace, les balais usagés peuvent être changés.

Dévisser l'écrou borgne de fixation de la brosse et l'enlever. Remplacer le balai usagé par un neuf. Repositionner l'écrou borgne en réglant la fixation jusqu'à ce que le balai adhère correctement à la vitre. Actionner l'essuie-glace pour s'assurer du bon réglage du balai.

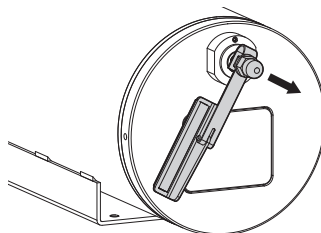


Fig. 26

13 Nettoyage

i La fréquence des interventions dépend du type d'environnement dans lequel le caisson est utilisé.

13.1 Nettoyage de la vitre

Le nettoyage doit être fait avec de l'eau ou avec un autre liquide détergent ne créant pas de situations de danger.

13.2 Nettoyage de la fenêtre en germanium

! La grille de protection doit toujours être présente lorsque l'unité fonctionne. La non observation de cette indication peut entraîner des risques graves pour la sécurité du personnel de l'installation et annuler la garantie.

! On doit éviter alcool éthylique, solvants, hydrocarbures hydro-génés, acides forts et alcali. L'emploi de ce type de produits abîme d'une façon irréparable la surface traitée.

! Nettoyer la fenêtre en ayant soin de ne pas rayer ni érafler l'enduit protecteur de carbone externe. L'endommagement du revêtement risque de compromettre la transparence à l'infrarouge de la surface.

Le nettoyage doit être fait avec du savon neutre dilué avec de l'eau.

Enlever la grille de protection en dévissant les vis et les rondelles, présentes sur l'avant du caisson, en utilisant un outil anti-étincelles.

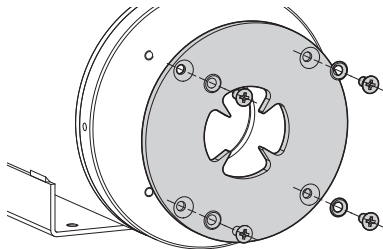


Fig. 27 Petite grille.

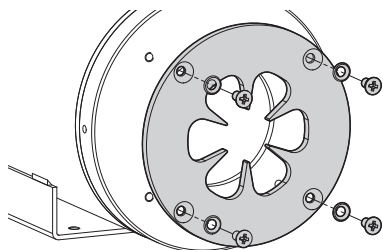


Fig. 28 Grille grande.

Une fois que vous avez effectué le nettoyage, remonter la grille de protection avec les vis et les rondelles prévues à cet effet.

13.3 Nettoyage du produit

! Sur la surface extérieure du produit il ne faut jamais avoir une quantité de poussière supérieure à 5mm.

Effectuer le nettoyage avec un chiffon humide et ne pas utiliser d'air comprimé.

14 Informations sur l'élimination et le recyclage

La Directive Européenne 2012/19/UE sur les déchets d'équipements électriques et électroniques (DEEE) exige que ces dispositifs ne doivent pas être éliminés dans le flux normal de déchets solides municipaux, mais ils doivent être collectés séparément afin d'optimiser le flux de récupération et de recyclage des matériaux qu'ils contiennent et pour réduire l'impact sur la santé humaine et l'environnement en raison de la présence de substances potentiellement dangereuses.



Le symbole de la poubelle sur roues barrée d'une croix figure sur tous les produits pour le rappeler.

Les déchets peuvent être livrés aux centres de collecte appropriés ou peuvent être livrés gratuitement au distributeur où vous avez acheté l'équipement, au moment de l'achat d'un nouvel dispositif équivalent ou sans obligation d'achat pour un équipement de taille inférieure de 25cm.

Pour plus d'informations sur l'élimination correcte de ces dispositifs, vous pouvez contacter le service public responsable.

15 Dépannage



Pour toute problématique que ce soit non décrite ou si les problèmes énumérés ci-après persistent, contacter le centre d'assistance autorisé.

PROBLÈME	Le produit ne s'allume pas.
CAUSE	Mauvais câblage, rupture du fusible.
SOLUTION	Vérifier les connexions. Vérifier la continuité du fusible et, en cas de panne, le substituer par le modèle indiqué.
PROBLÈME	L'essuie-glace est bloqué et ne répond pas aux commandes.
CAUSE	Essuie-glace bloqué ou cassé.
SOLUTION	Vérifier que l'essuie-glace est libre de se déplacer. Vérifier que les câbles de l'essuie-glace ne sont pas débranchés ou endommagés.

16 Données techniques

16.1 MAXIMUS MVX

16.1.1 Mécanique

Double toit pare-soleil

Essuie-glace intégré

Poids net:

- 6kg (seulement caisson)
- 8.5kg (caisson avec câble multipolaire blindé de 4m)
- 12kg (caisson avec câble multipolaire blindé de 10m)

16.1.2 Presse-étoupes

Entrée de câbles: 1 trou, 3/4", NPT

Presse-étoupe Ex db 3/4"NPT et câble multipolaire blindé pré-installé de 4m/10m ou tronçon de câbles de 4m/10m (pour une installation avec conduit, porte-conduit et conduit non inclus)

16.1.3 Fenêtres pour caisson

Matériau: Vitre en verre trempé thermiquement

- Dimensions: 51x41mm
- Épaisseur: 12mm

16.1.4 Électrique

Tension d'alimentation/Courant absorbé (chauffage allumé, Ton 15°C±3°C, Toff 22°C±3°C):

- 24Vac ±10%, 2.2A, 50/60Hz
- 24Vdc ±5%, 2.2A
- 12Vdc ±5%, 3.5A

16.1.5 Réseau

Connexion Ethernet (seulement pour versions IP du produit): 10BASE-T/100BASE-T

Connecteur: RJ45

Longueur du câble: 100m max

16.1.6 Communication sérielles

Interface sériele

- Ligne RS-485, half-duplex
- Longueur du câble: 1200m max
- Unités adressables: 255 (configuration par OSM)

Protocole de communication serielle

- PANASONIC 850: 9600baud, 19200baud
- PELCO D: 2400baud, 9600baud
- VIDEOTEC MACRO: 9600baud, 38400baud

16.1.7 Vidéo

Encodeur vidéo

- Protocole de communication: ONVIF, Profil S
- Configuration du dispositif: TCP/IPv4-IPV6, UDP/IPv4-IPV6, HTTP, NTP, DHCP, WS-DISCOVERY, QoS, IGMP (Multicast)
- Streaming: RTSP, RTCP, RTP/IPv4
- Compression vidéo: H.264/AVC, MJPEG
- Flux vidéo indépendants: 2
- Résolution de l'image: de Full D1 (720x576 pour PAL, 720x480 pour NTSC) à 352x240
- Serveur Web

16.1.8 Interface I/O

I/O carte d'alarme

- Entrées d'alarme: 1
- Sorties relais: 1 (1A, 30Vac/60Vdc max)

Longueur du câble: 200m max

Version avec essuie-glace intégré

- Activation à distance de l'essuie-glace: 1 entrée, contact sec NO

16.1.9 Caméras

Puissance absorbée (totale, caméra et optique)

- Sans encodeur vidéo IP: 8W
- Avec encodeur vidéo IP: 6W

Distance minimum entre la caméra et la fenêtre du caisson: 4mm

Dimensions des caméras/Objectifs installables (WxHxL)

- Sans encodeur vidéo: 70x65x140mm
- Avec encodeur vidéo: 70mmx65mmx120mm

16.1.10 Environnement

Installation d'intérieur et d'extérieur

Température de fonctionnement:

- Départ à froid de -40°C jusqu'à +65°C
- En fonctionnement de -50°C jusqu'à +65°C

Humidité relative: de 10% jusqu'à 95% (sans condensation)

16.1.11 Certifications

ATEX (EN 60079-0: 2012, EN 60079-1: 2014, EN 60079-31: 2014)

- Ⓔ II 2 G Ex db IIC T5 Gb
- Ⓔ II 2 D Ex tb IIIC T100°C Db IP66/IP68
-60°C ≤ Ta ≤ +65°C
- Ⓔ II 2 G Ex db IIC T5 Gb
- Ⓔ II 2 D Ex tb IIIC T100°C Db IP66/IP68
-50°C ≤ Ta ≤ +65°C
- Ⓔ II 2 G Ex db IIC T6 Gb
- Ⓔ II 2 D Ex tb IIIC T85°C Db IP66/IP68
-60°C ≤ Ta ≤ +55°C
- Ⓔ II 2 G Ex db IIC T6 Gb
- Ⓔ II 2 D Ex tb IIIC T85°C Db IP66/IP68
-50°C ≤ Ta ≤ +55°C

IECEX (IEC 60079-0: 2011 Ed.6, IEC 60079-1: 2014-06 Ed.7, IEC 60079-31: 2013 Ed.2)

- Ex db IIC T5 Gb
- Ex tb IIIC T100°C Db IP66/IP68
-60°C ≤ Ta ≤ +65°C
- Ex db IIC T5 Gb
- Ex tb IIIC T100°C Db IP66/IP68
-50°C ≤ Ta ≤ +65°C
- Ex db IIC T6 Gb
- Ex tb IIIC T85°C Db IP66/IP68
-60°C ≤ Ta ≤ +55°C
- Ex db IIC T6 Gb
- Ex tb IIIC T85°C Db IP66/IP68
-50°C ≤ Ta ≤ +55°C

TYPE 6P, TYPE 4X (UL50E)

IP69 (EN/IEC60529), seulement caisson

IP66/IP67/IP68 (2 heures, 5m, EN/IEC60529)

16.2 MAXIMUS MVXT

16.2.1 Mécanique

Double toit pare-soleil

Poids net:

- 6kg (seulement caisson)
- 8.5kg (caisson avec câble multipolaire blindé de 4m)
- 12kg (caisson avec câble multipolaire blindé de 10m)

16.2.2 Presse-étoupes

Entrée de câbles: 1 trou, 3/4", NPT

Presse-étoupe Ex db 3/4"NPT et câble multipolaire blindé pré-installé de 4m/10m ou tronçon de câbles de 4m/10m (pour une installation avec conduit, porte-conduit et conduit non inclus)

16.2.3 Fenêtres pour caisson

Fenêtre en germanium (grille grande)

- Diamètre utile: 57mm
- Épaisseur: 10mm
- Traitement extérieur: antirayures (Hard Carbon Coating - DLC), antireflets
- Traitement intérieur: antireflets
- Réponse spectrale: de 7.5µm jusqu'à 14µm
- Transmittance moyenne (de 7.5µm jusqu'à 11.5µm): 87.3%
- Transmittance moyenne (de 11.5µm jusqu'à 14µm): 67.3%

Fenêtre en germanium (grille petite)

- Diamètre utile: 40mm
- Épaisseur: 8mm
- Traitement extérieur: antirayures (Hard Carbon Coating - DLC), antireflets
- Traitement intérieur: antireflets
- Réponse spectrale: de 7.5µm jusqu'à 14µm
- Transmittance moyenne (de 7.5µm jusqu'à 11.5µm): 87.5%
- Transmittance moyenne (de 11.5µm jusqu'à 14µm): 72.1%

16.2.4 Électrique

Tension d'alimentation/Courant absorbé (chauffage allumé, Ton 15°C±3°C, Toff 22°C±3°C):

- 24Vac ±10%, 2.2A, 50/60Hz
- 24Vdc ±5%, 2.2A
- 12Vdc ±5%, 3.5A

16.2.5 Réseau

Connexion Ethernet (seulement pour versions IP du produit): 10BASE-T/100BASE-T

Connecteur: RJ45

Longueur du câble: 100m max

16.2.6 Communication sérielles

Interface sérielle

- Ligne RS-485, half-duplex
- Longueur du câble: 1200m max
- Unités adressables: 255 (configuration par OSM)

Protocole de communication serielle

- PANASONIC 850: 9600baud, 19200baud
- PELCO D: 2400baud, 9600baud
- VIDEOTEC MACRO: 9600baud, 38400baud

16.2.7 Vidéo



Pour identifier le modèle de codeur vidéo installé, le code produit indiqué sur l'étiquette de marquage doit être comparé au tableau de codification (5 Code du produit, page 14). La colonne Édition permet d'identifier le modèle (A ou B).

Encodeur vidéo (Édition A)

- Protocole de communication: ONVIF, Profil S
- Configuration du dispositif: TCP/IPv4-IPv6, UDP/IPv4-IPv6, HTTP, NTP, DHCP, WS-DISCOVERY, QoS, IGMP (Multicast)
- Streaming: RTSP, RTCP, RTP/IPv4
- Compression vidéo: H.264/AVC, MJPEG
- Flux vidéo indépendants: 2
- Résolution de l'image: de Full D1 (720x576 pour PAL, 720x480 pour NTSC) à 352x240
- Serveur Web

Encodeur vidéo (Édition B)

- Protocole de communication: ONVIF, Profil S et Profil Q
- Streaming: RTSP, RTCP, RTP/IPv4, Multicast
- Compression vidéo: H.264/AVC, MJPEG, MPEG4, JPEG
- Jusqu'à 3 flux vidéo simultanés
- Résolution de l'image: de Full D1 (720x576 pour PAL, 720x480 pour NTSC) à 352x240
- Frame rate sélectionnable de 1 à 60 images par seconde (fps)
- Serveur Web

16.2.8 Interface I/O

I/O carte d'alarme

- Entrées d'alarme: 1
- Sorties relais: 1 (1A, 30Vac/60Vdc max)

Longueur du câble: 200m max

16.2.9 Caméras

Puissance absorbée (totale, caméra et optique)

- Sans encodeur vidéo IP: 8W
- Avec encodeur vidéo IP: 6W

Distance minimum entre la caméra et la fenêtre du caisson: 4mm

Dimensions des caméras/Objectifs installables (WxHxL)

- Sans encodeur vidéo: 70x65x140mm
- Avec encodeur vidéo: 70mmx65mmx120mm

16.2.10 Environnement

Installation d'intérieur et d'extérieur

Température de fonctionnement:

- Départ à froid de -40°C jusqu'à +65°C
- En fonctionnement de -50°C jusqu'à +65°C

Humidité relative: de 10% jusqu'à 95% (sans condensation)

16.2.11 Certifications

ATEX (EN 60079-0: 2012, EN 60079-1: 2014, EN 60079-31: 2014)

- ⊕ II 2 G Ex db IIC T5 Gb
- ⊕ II 2 D Ex tb IIIC T100°C Db IP66/IP68
-60°C ≤ Ta ≤ +65°C
- ⊕ II 2 G Ex db IIC T5 Gb
- ⊕ II 2 D Ex tb IIIC T100°C Db IP66/IP68
-50°C ≤ Ta ≤ +65°C
- ⊕ II 2 G Ex db IIC T6 Gb
- ⊕ II 2 D Ex tb IIIC T85°C Db IP66/IP68
-60°C ≤ Ta ≤ +55°C
- ⊕ II 2 G Ex db IIC T6 Gb
- ⊕ II 2 D Ex tb IIIC T85°C Db IP66/IP68
-50°C ≤ Ta ≤ +55°C

IECEx (IEC 60079-0: 2011 Ed.6, IEC 60079-1: 2014-06 Ed.7, IEC 60079-31: 2013 Ed.2)

- Ex db IIC T5 Gb
- Ex tb IIIC T100°C Db IP66/IP68
-60°C ≤ Ta ≤ +65°C
- Ex db IIC T5 Gb
- Ex tb IIIC T100°C Db IP66/IP68
-50°C ≤ Ta ≤ +65°C
- Ex db IIC T6 Gb
- Ex tb IIIC T85°C Db IP66/IP68
-60°C ≤ Ta ≤ +55°C
- Ex db IIC T6 Gb
- Ex tb IIIC T85°C Db IP66/IP68
-50°C ≤ Ta ≤ +55°C

TYPE 6P, TYPE 4X (UL50E)

IP69 (EN/IEC60529), seulement caisson

IP66/IP67/IP68 (2 heures, 5m, EN/IEC60529)

16.3 MAXIMUS MVXHD

16.3.1 Mécanique

Double toit pare-soleil

Essuie-glace intégré

Poids net:

- 6kg (seulement caisson)
- 8.5kg (caisson avec câble multipolaire blindé de 4m)
- 12kg (caisson avec câble multipolaire blindé de 10m)

16.3.2 Presse-étoupes

Entrée de câbles: 1 trou, 3/4", NPT

Presse-étoupe Ex db 3/4"NPT et câble multipolaire blindé pré-installé de 4m/10m ou tronçon de câbles de 4m/10m (pour une installation avec conduit, porte-conduit et conduit non inclus)

16.3.3 Fenêtres pour caisson

Matériau: Vitre en verre trempé thermiquement

Dimensions: 51x41mm

Épaisseur: 12mm

16.3.4 Électrique

Tension d'alimentation/Courant absorbé (chauffage allumé, Ton 15°C±3°C, Toff 22°C±3°C):

- 24Vac ±10%, 2.2A, 50/60Hz
- 24Vdc ±5%, 2.2A
- 12Vdc ±5%, 3.5A

16.3.5 Vidéo



Pour identifier le modèle de codeur vidéo installé, le code produit indiqué sur l'étiquette de marquage doit être comparé au tableau de codification (5 Code du produit, page 14). La colonne Édition permet d'identifier le modèle (A ou B).

Encodeur vidéo (Édition A)

- Protocole de communication: ONVIF, Profil S
- Configuration du dispositif: TCP/IPv4-IPv6, UDP/IPv4-IPv6, HTTP, HTTPS, NTP, DHCP, WSDISCOVERY, QoS, DSCP, IGMP (Multicast), SOAP, DNS, SNMP
- Streaming: RTSP, RTCP, RTP/IPv4, Multicast
- Compression vidéo: H.264/AVC, MJPEG
- 2 flux vidéo indépendants Full HD ou 4 flux vidéo indépendants en fonction de la configuration
- Résolution de l'image: de FullHD à 352x240 en 18 étapes
- Frame rate sélectionnable de 1 à 60 images par seconde (fps)
- Serveur Web
- Motion Detection

Encodeur vidéo (Édition B)

- Protocole de communication: ONVIF, Profil S et Profil Q
- Configuration du dispositif: TCP/IPv4-IPv6, UDP/IPv4-IPv6, HTTP, HTTPS, NTP, DHCP, WS-DISCOVERY, DSCP, IGMP (Multicast), SOAP, DNS
- Streaming: RTSP, RTCP, RTP/IPv4, HTTP, Multicast
- Compression vidéo: H.264/AVC, MJPEG, JPEG, MPEG4
- 3 flux vidéo indépendants Full HD
- Résolution de l'image: de 320x180 jusqu'à 1920x1080 en 6 étapes
- Frame rate sélectionnable de 1 à 60 images par seconde (fps)
- Serveur Web
- Motion Detection

16.3.6 Réseau

Connexion Ethernet

- Encodeur vidéo A: 10BASE-T/100BASE-T
- Encodeur vidéo B: 100BASE-TX

Connecteur: RJ45

Longueur du câble: 100m max

16.3.7 Interface I/O

I/O carte d'alarme

- Entrées d'alarme: 1
- Sorties relais: 1 (1A, 30Vac/60Vdc max)

Longueur du câble: 200m max

16.3.8 Caméras

Puissance absorbée (totale, caméra et optique)

- Sans encodeur vidéo IP: 8W
- Avec encodeur vidéo IP: 6W

Distance minimum entre la caméra et la fenêtre du caisson: 4mm

Dimensions des caméras/Objectifs installables (WxHxL)

- Sans encodeur vidéo: 70x65x140mm
- Avec encodeur vidéo: 70mmx65mmx100mm

16.3.9 Environnement

Installation d'intérieur et d'extérieur

Température de fonctionnement:

- Départ à froid de -40°C jusqu'à +65°C
- En fonctionnement de -50°C jusqu'à +65°C

Humidité relative: de 10% jusqu'à 95% (sans condensation)

16.3.10 Certifications

ATEX (EN 60079-0: 2012, EN 60079-1: 2014, EN 60079-31: 2014)

- Ⓜ II 2 G Ex db IIC T5 Gb
- Ⓜ II 2 D Ex tb IIIC T100°C Db IP66/IP68
-60°C ≤ Ta ≤ +65°C
- Ⓜ II 2 G Ex db IIC T5 Gb
- Ⓜ II 2 D Ex tb IIIC T100°C Db IP66/IP68
-50°C ≤ Ta ≤ +65°C
- Ⓜ II 2 G Ex db IIC T6 Gb
- Ⓜ II 2 D Ex tb IIIC T85°C Db IP66/IP68
-60°C ≤ Ta ≤ +55°C
- Ⓜ II 2 G Ex db IIC T6 Gb
- Ⓜ II 2 D Ex tb IIIC T85°C Db IP66/IP68
-50°C ≤ Ta ≤ +55°C

IECEX (IEC 60079-0: 2011 Ed.6, IEC 60079-1: 2014-06 Ed.7, IEC 60079-31: 2013 Ed.2)

- Ex db IIC T5 Gb
- Ex tb IIIC T100°C Db IP66/IP68
-60°C ≤ Ta ≤ +65°C
- Ex db IIC T5 Gb
- Ex tb IIIC T100°C Db IP66/IP68
-50°C ≤ Ta ≤ +65°C
- Ex db IIC T6 Gb
- Ex tb IIIC T85°C Db IP66/IP68
-60°C ≤ Ta ≤ +55°C
- Ex db IIC T6 Gb
- Ex tb IIIC T85°C Db IP66/IP68
-50°C ≤ Ta ≤ +55°C

TYPE 6P, TYPE 4X (UL50E)

IP69 (EN/IEC60529), seulement caisson

IP66/IP67/IP68 (2 heures, 5m, EN/IEC60529)

17 Dessins techniques

i Les tailles indiquées sont en millimètres.

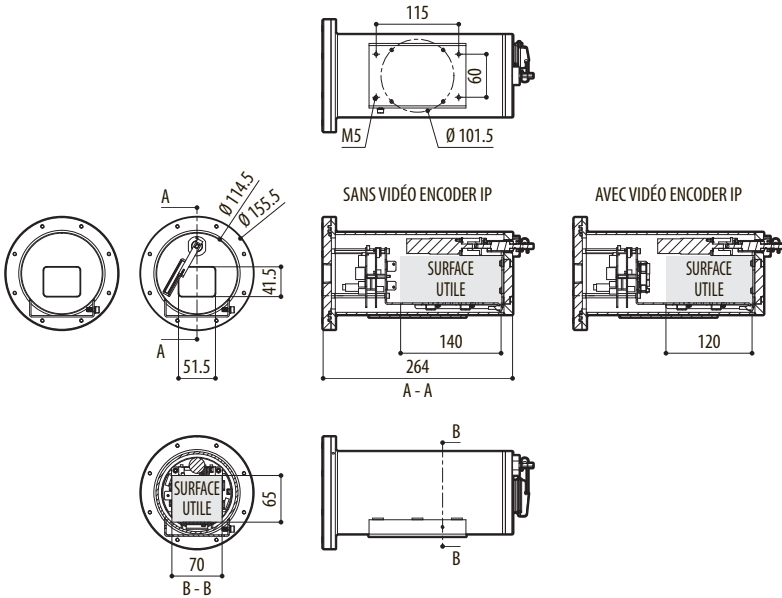


Fig. 29 MAXIMUS MVX.

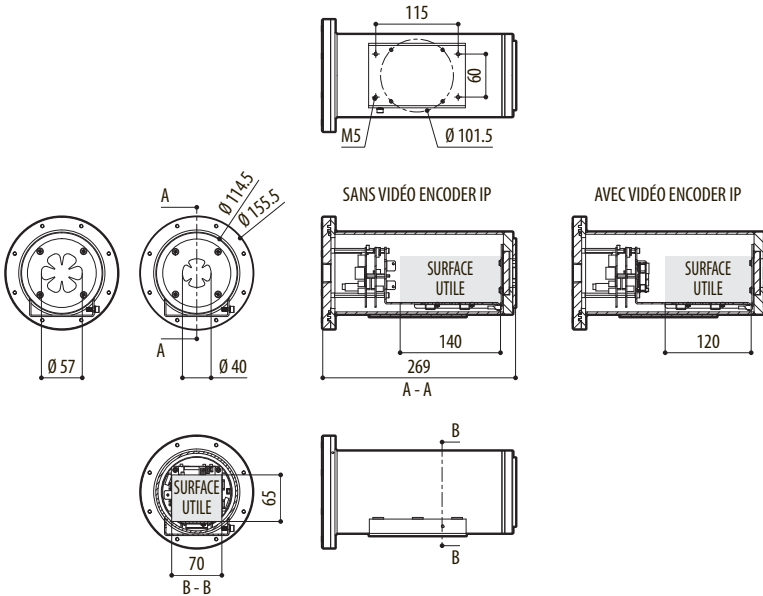


Fig. 30 MAXIMUS MVXT.

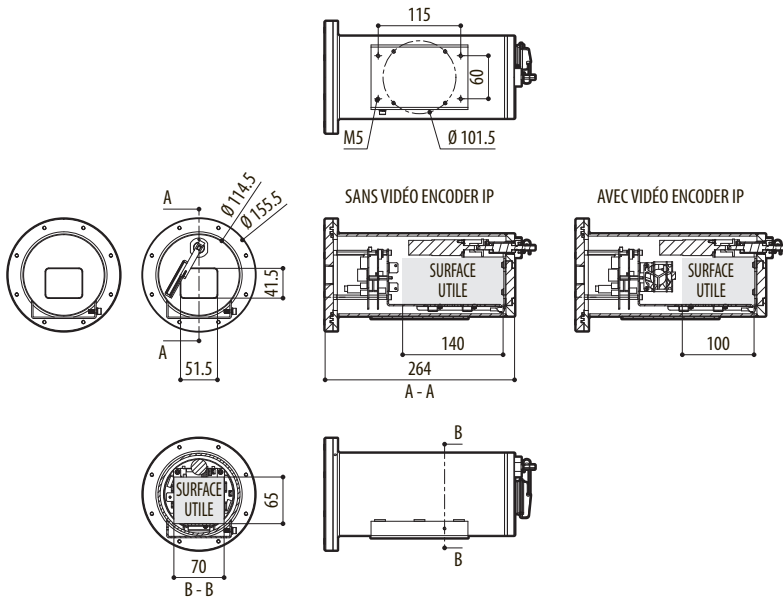


Fig. 31 MAXIMUS MVXHD.

Headquarters Italy Videotec S.p.A.
Via Friuli, 6 - I-36015 Schio (VI) - Italy
Tel. +39 0445 697411 - Fax +39 0445 697414
Email: info@videotec.com

Asia Pacific Videotec (HK) Ltd
Flat 8, 19/F. On Dak Industrial Building, No. 2-6 Wah Sing Street
Kwai Chung, New Territories - Hong Kong
Tel. +852 2333 0601 - Fax +852 2311 0026
Email: info.hk@videotec.com

France Videotec France SARL
Immeuble Le Montreal, 19bis Avenue du Québec, ZA de Courtaoef
91140 Villebon sur Yvette - France
Tel. +33 1 60491816 - Fax +33 1 69284736
Email: info.fr@videotec.com

Americas Videotec Security, Inc.
Gateway Industrial Park, 35 Gateway Drive, Suite 100
Plattsburgh, NY 12901 - U.S.A.
Tel. +1 518 825 0020 - Fax +1 518 825 0022
Email: info.usa@videotec.com



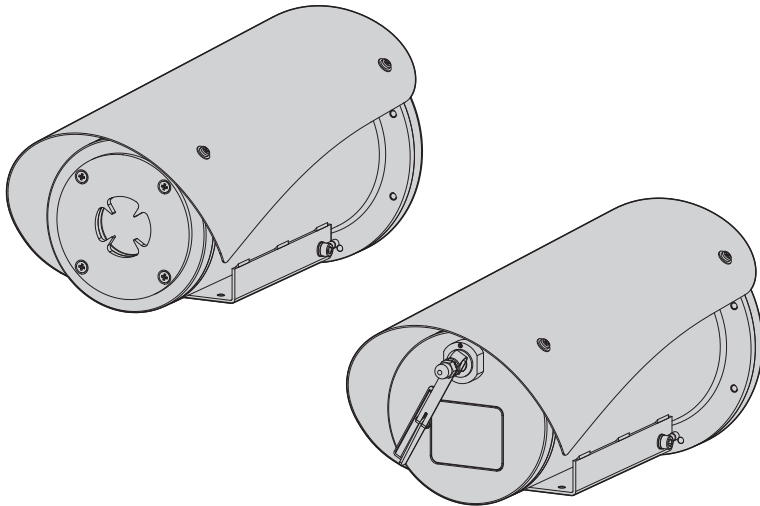
www.videotec.com
MNVCMVXTHD_1813_FR



MAXIMUS MVX, MAXIMUS MVXT, MAXIMUS MVXHD

Ex-geschütztes Gehäuse aus rostfreiem Stahl

HANDBUCH A



Inhaltsverzeichnis

1 Allgemeines	7
1.1 Schreibweisen.....	7
2 Anmerkungen zum Copyright und Informationen zu den Handelsmarken.....	7
3 Sicherheitsnormen	7
3.1 Details der ATEX-IECEx-Bescheinigung.....	10
3.1.1 Temperatur.....	10
3.1.2 Notwendige Eigenschaften installierbarer Videokameras	10
3.1.3 Installationsanleitungen	10
3.1.4 Montageanleitungen.....	11
3.1.5 Besondere Bedingungen für die sichere Anwendung.....	11
3.1.6 Zusätzliche Informationen	11
4 Identifizierung	11
4.1 Beschreibung und Bezeichnung des Produktes.....	11
4.2 Kennzeichnung des Produkts.....	12
5 Produktschlüssel	14
6 Versionen.....	15
6.1 Getempertes Glas	15
6.2 Vorinstallierter Wischer	15
6.3 Fensterscheibe aus Germanium.....	15
7 Vorbereitung des Produktes auf den Gebrauch.....	16
7.1 Sicherheitsvorkehrungen vor dem Gebrauch.....	16
7.2 Entfernen der Verpackung	17
7.3 Inhalt	17
7.4 Sichere Entsorgung der Verpackungsmaterialien	17
7.5 Auf die Installation vorbereitende Tätigkeiten.....	17
7.5.1 Befestigung an der Brüstung	18
7.5.2 Befestigung mit Bügel	18
7.5.3 Befestigung durch Mastverseilung oder Winkeladaptermodul	19
7.5.3.1 Befestigung an Mastverseilung.....	19
7.5.3.2 Befestigung mit Winkelmodul	19
8 Zusammenbau	20
8.1 Benutzerfeld	20
8.2 Öffnung des Schutzgehäuse	20
8.3 Beschreibung der Prüfplatine	21
8.4 Beschreibung der Karte Anschlüsse	21
8.5 Installation der Kamera	22
8.6 Anschluss der Kamera.....	22
9 Installation	23
9.1 Kabeleingang	23
9.2 Anschluss der Verbinderplatine	24
9.2.1 Anschluss der Stromversorgung.....	24

9.2.2 Anschluss des Videokabels	25
9.2.2.1 Anschluss des Videokabels (Analoges Ausgangssignal)	25
9.2.2.2 Anschluss des Videokabels (IP generic camera)	25
9.2.2.3 Anschluss des Videokabels (Digitales Ausgangssignal).....	25
9.2.3 Anschluss der Signalkabel.....	25
9.2.3.1 Anschluss der seriellen Linie.....	25
9.2.3.2 Anschluss der Relais.....	26
9.2.3.3 Anschluss des Scheibenwischers	26
9.3 Erdung	26
9.4 Schließen des Gehäuses.....	27
9.5 Befestigung des Dachs	27
10 Anleitung für einen sicheren Betrieb.....	28
10.1 Betrieb unter sicheren Bedingungen.....	28
10.1.1 Inbetriebnahme.....	28
10.1.2 Sicherheitsvorschriften	28
10.1.3 Vorschriften zur Vorbeugung von Explosionen	28
11 Einschaltung	29
11.1 Bevor man das Produkt in explosionsgefährdeten Bereichen versorgt.....	29
12 Wartung.....	29
12.1 Wechsel der Sicherungen.....	30
12.2 Austausch des Schlittens.....	30
12.3 Auswechseln der Dichtung des hinteren Bodens	30
12.4 Austausch des Wischerblatts.....	30
13 Reinigung	31
13.1 Reinigung des Glases.....	31
13.2 Putzen des Germaniumfensters.....	31
13.3 Reinigung des Produktes	31
14 Informationen bezüglich Entsorgung und Recycling.....	32
15 Problemlösung	32
16 Technische Daten.....	33
16.1 MAXIMUS MVX	33
16.1.1 Mechanik.....	33
16.1.2 Kabelverschraubungen.....	33
16.1.3 Fenster für Gehäuse	33
16.1.4 Elektrik.....	33
16.1.5 Netzwerk.....	33
16.1.6 Seriellen Datenübertragungen	33
16.1.7 Video	33
16.1.8 I/O-Schnittstelle.....	33
16.1.9 Kamera.....	34
16.1.10 Umgebung.....	34
16.1.11 Zertifizierungen.....	34
16.2 MAXIMUS MVXT.....	35
16.2.1 Mechanik.....	35
16.2.2 Kabelverschraubungen.....	35
16.2.3 Fenster für Gehäuse	35

16.2.4 Elektrik.....	35
16.2.5 Netzwerk.....	35
16.2.6 Seriellen Datenübertragungen.....	35
16.2.7 Video.....	35
16.2.8 I/O-Schnittstelle.....	36
16.2.9 Kamera.....	36
16.2.10 Umgebung.....	36
16.2.11 Zertifizierungen.....	36
16.3 MAXIMUS MVXHD.....	37
16.3.1 Mechanik.....	37
16.3.2 Kabelverschraubungen.....	37
16.3.3 Fenster für Gehäuse.....	37
16.3.4 Elektrik.....	37
16.3.5 Video.....	37
16.3.6 Netzwerk.....	38
16.3.7 I/O-Schnittstelle.....	38
16.3.8 Kamera.....	38
16.3.9 Umgebung.....	38
16.3.10 Zertifizierungen.....	38
17 Technische Zeichnungen.....	39

1 Allgemeines

Vor Installation und Anwendung der Einheit ist die gesamte gelieferte Dokumentation aufmerksam zu lesen. Zum späteren Nachschlagen das Handbuch in Reichweite aufbewahren.

1.1 Schreibweisen



GEFAHR!

Explosionsgefahr.

Aufmerksam durchlesen, um Explosionsrisiken zu vermeiden.



GEFAHR!

Erhöhte Gefährdung.

Stromschlaggefahr. Falls nichts anderes angegeben, unterbrechen Sie die Stromversorgung, bevor die beschriebenen Arbeiten durchgeführt werden.



ACHTUNG!

Mittlere Gefährdung.

Der genannte Vorgang hat große Bedeutung für den einwandfreien Betrieb des Systems. Es wird gebeten, sich die Verfahrensweise durchzulesen und zu befolgen.



ANMERKUNG

Beschreibung der Systemmerkmale.

Eine sorgfältige Lektüre wird empfohlen, um das Verständnis der folgenden Phasen zu gewährleisten.

2 Anmerkungen zum Copyright und Informationen zu den Handelsmarken

Die angeführten Produkt- oder Firmennamen sind Handelsmarken oder eingetragene Handelsmarken.

3 Sicherheitsnormen



ACHTUNG! Die externen Anschlüsse für den Potenzialausgleich müssen mithilfe der Öse außen am Produkt vorgenommen werden. Nicht als Schutzklemme benutzen.

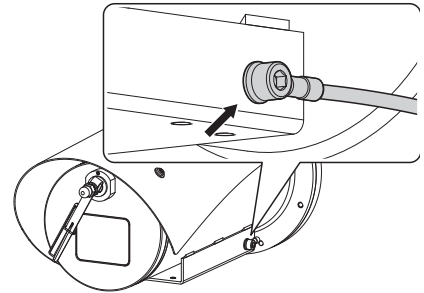


Abb. 1



ACHTUNG! Die elektrische Anlage, an der die Einheit angeschlossen ist, muss mit einem automatischen zweipoligen Schutzschalter 10A max ausgestattet sein. Zwischen den Schutzschalter Kontakten muss mindestens ein Abstand von 3mm vorhanden sein. Der Schalter muss eine Schutzeinrichtung gegen Erde Fehlerstrom (Differenzial) und gegen Überstrom haben (magnetothermisch).



ACHTUNG! Die Anlage gehört zum Typ TNV-1. Nicht an Kreisläufe SELV anschließen.



ACHTUNG! Die Installation und Wartung der Vorrichtung ist technischen Fachleuten vorbehalten.



ACHTUNG! Damit ein ständiger Brandschutz garantiert wird, sind die Sicherungen nur in dem gleichen Typ und Wert zu ersetzen. Die Sicherungen sind nur von Fachleuten zu ersetzen.



ACHTUNG! Das Gerät muss an einen Erdungsleiter angeschlossen werden (Schutzerdung). Der Anschluss ist nur über den Innenverbinder auszuführen (J7, 8.4 Beschreibung der Karte Anschlüsse, Seite 21 e 9.2.1 Anschluss der Stromversorgung, Seite 24).

- Die Anweisungen lesen.
- Die Anweisungen aufbewahren.
- Alle Hinweise beachten.
- Halten Sie sich an alle Anweisungen.
- Um das Risiko eines Einschaltens zu verhindern, darf man das Gerät nicht bei potenziell explosionsgefährdeter Atmosphäre öffnen. Das Gerät muss während des Gebrauchs geschlossen sein.
- Die Installation des Gerätes muss von technisch qualifiziertem Personal ausgeführt werden, gemäß dem anwendbaren Bezugscode IEC/EN60079-14.
- Die Oberflächentemperatur des Gerätes steigt im Falle direkter Sonnenbestrahlung an. Die Klasse der Oberflächentemperatur des Gerätes wurde nur bei Umgebungstemperatur berechnet, ohne die direkte Sonnenbestrahlung zu berücksichtigen.
- Eine Installationsoberfläche auswählen, die ausreichend widerstandsfähig ist und dazu geeignet, dem Gewicht des Gerätes standzuhalten; dabei müssen die besonderen Umgebungsbedingungen wie starker Wind berücksichtigt werden.
- Da der Benutzer für die Auswahl der Verankerungsfläche der Einheit verantwortlich ist, liefert der Hersteller die Befestigungsvorrichtungen für die Verankerung der Einheit auf der Oberfläche nicht mit. Der Installateur ist für die Auswahl der für die zur Verfügung stehende Oberfläche geeigneten Vorrichtungen verantwortlich. Wir empfehlen die Verwendung von Methoden und Materialien, die in der Lage sind, einem Gewicht standzuhalten, dass 4 Mal größer als das Gewicht des Gerätes ist.
- Vor dem Einschalten der Stromversorgung prüfen, dass das Gerät fest verankert ist.
- Das Gerät muss von technischen Fachleuten vorbehalten an einem Ort mit beschränktem Zugriff installiert werden.
- Die Hauptisolierung muss produktextern mit einem Sicherheitstransformator und / oder einer isolierten Gleichspannungsquelle ausgeführt werden.
- Zur Spannungsversorgung des Produktes verwenden Sie bitte einen Sicherheitstransformator und / oder eine isolierte Gleichspannungsquelle mit sachgerechten Merkmalen. Die Werte der Spannungsversorgung am Ausgang dürfen die nachstehenden Werte nicht überschreiten. Versorgungsspannung: 26.4Vac oder 26.4Vdc max. Stromabgabe: 5A max.
- Die elektrische Anlage muss mit einem Netztrennschalter versehen sein, der im Bedarfsfall sofort erkannt und gebraucht werden kann.
- Für Kundendiensteingriffe wenden Sie sich ausschließlich an autorisiertes technisches Personal.
- Der Hersteller lehnt jede Haftung für eventuelle Schäden ab, die aufgrund unsachgemäßer Anwendung der in diesem Handbuch erwähnten Geräte entstanden ist. Ferner behält er sich das Recht vor, den Inhalt ohne Vorkündigung abzuändern. Die Dokumentation in diesem Handbuch wurde sorgfältig ausgeführt und überprüft. Der Hersteller kann dennoch keine Haftung für die Verwendung übernehmen. Dasselbe gilt für jede Person oder Gesellschaft, die bei der Schaffung oder Produktion von diesem Handbuch miteinbezogen ist.
- Unterbrechen Sie die Stromversorgung, bevor die beschriebenen Arbeiten durchgeführt werden.
- Es dürfen keine Kabel mit Verschleiß- oder Alterungsspuren verwendet werden.
- Unter keinen Umständen dürfen Veränderungen oder Anschlüsse vorgenommen werden, die in diesem Handbuch nicht genannt sind. Der Gebrauch ungeeigneten Geräts kann die Sicherheit des Personals und der Anlage schwer gefährden.
- Es dürfen nur Original-Ersatzteile verwendet werden. Nicht originale Ersatzteile können zu Bränden, elektrischen Entladungen oder anderen Gefahren führen.
- Vor der Installation ist anhand des Kennzeichnungsschildes nachzuprüfen, ob das gelieferte Material die gewünschten Eigenschaften (4.2 Kennzeichnung des Produkts, Seite 12).

- Die Einrichtung ist für die dauerhafte Befestigung und Verbindung in ein Gebäude oder eine andere geeignete Struktur konzipiert. Vor jeder Operation muss die Einrichtung dauerhaft befestigt und verbunden werden.
- Die nationalen Vorschriften für die Installation der Einrichtung sind einzuhalten.
- Die elektrische Anlage muss mit einem Netztrennschalter versehen sein, der im Bedarfsfall sofort erkannt und gebraucht werden kann.
- Dies ist ein Produkt der Klasse A. Dieses Produkt kann im Wohnbereich Funkstörungen verursachen. In diesem Fall kann vom Betreiber verlangt werden, angemessene Maßnahmen durchzuführen.
- Vorgeschrieben ist der Anschluss an eine Versorgungsquelle, deren Eigenschaften den Angaben auf dem Kennzeichnungsschild entsprechen. Vor der Installation ist zu prüfen, ob die Stromleitung sachgerecht abgetrennt ist. Bei Einrichtungen mit einer Speisung von 24Vac darf die Versorgungsspannung die Toleranzen ($\pm 10\%$) nicht überschreiten. Bei Einrichtungen mit einer Speisung von 12Vdc und 24Vdc darf die Versorgungsspannung die Toleranzen ($\pm 5\%$) nicht überschreiten.
- Im Falle einer Stromversorgung mit 24 Vac muss eine ausreichende Trennung von der AC-Speiseleitung vorgesehen werden und eine doppelte oder verstärkte Isolierung zwischen der Hauptversorgungsleitung und dem Sekundärkreis hergestellt werden.
- Um die Vorschriften über Spannungseinbrüche und -abschaltungen einzuhalten, benutzen Sie bitte eine unterbrechungsfreie Stromversorgung (UPS).
- Alle Anschlüsse, die Installations- und Wartungseingriffe in nicht explosionsgefährdeten Bereichen ausführen.
- Die Installationskategorie (auch als Überspannungskategorie bezeichnet) gibt den Pegel der Netzspannungsstöße an, denen die Ausrüstung ausgesetzt ist. Die Kategorie hängt vom Installationsort der Ausrüstung und von den externen Schutzeinrichtungen gegen Spannungsstöße ab. Ausrüstungen in einer gewerblichen Umgebung, die direkt mit den Hauptzweigen der Versorgungsanlage verbunden sind, gehören zur Installationskategorie III. In diesem Fall ist eine Abstufung auf Installationskategorie II erforderlich. Alternativ können Überspannungsschutzvorrichtungen (SPD) von Fase zu Nullleiter und von Nullleiter zur Erde geführt werden. SPD sind für die wiederholte Begrenzung kurzzeitig auftretender Spannungsspitzen und für die folgenden nominellen Betriebsbedingungen auszuliegen: Typ 2 (Dauerhaft angeschlossene Überspannungsschutzvorrichtungen für die Installation auf der Ladungsseite der Hilfeinrichtung); Nennladestrom (In) 20kA min. Benutzt werden können beispielsweise: FERRAZ SHAWMUT, STT2240SPG-CN, STT2BL240SPG-CN, spezifiziert für 120Vac/240Vac, (In=20kA). Der maximale Abstand zwischen dem Einbau und der Abkürzung ist 5m.
- Nationale Besonderheiten für Norwegen und Schweden: Die Geräte, die über den Netzanschluss oder andere mit Schutzerdungsanschluss ausgestatteten Einrichtungen an die Erdungsanlage des Gebäudes (und über ein Koaxialkabel an ein Kabelverteilsystem) angebunden sind, können in einigen Fällen brandgefährlich sein. Der Anschluss an ein kabelgestütztes Verteilsystem muss deshalb über eine Einrichtung erfolgen, die eine elektrische Isolierung unterhalb eines bestimmten Frequenzbereiches gewährleistet (Trennschaltverstärker, siehe EN60728-11). In Norwegen muss ein Trennschaltverstärker nach den Bestimmungen für die Installation von Kabelverteilsystemen ebenso wie in Schweden eine elektrische Isolierung mit einer Frequenz von unter 5MHz gewährleisten. Die Isolierung muss eine Durchschlagsfestigkeit von 1,5kV rms, 50Hz oder 60Hz für 1 min haben.
- Utstyr som er koplet til beskyttelsesjord via nettplugg og/eller via annet jordtilkoplet utstyr - og er tilkoplet et kabel-TV nett, kan forårsake brannfare. For å unngå dette skal det ved tilkopling av utstyret til kabel-TV nettet installeres en galvanisk isolator mellom utstyret og kabel-TV nettet.

3.1 Details der ATEX-IECEX-Bescheinigung

3.1.1 Temperatur

Das Verhältnis zwischen Raumtemperatur, Gasaggregaten und EX-Kennzeichnung ist hier angegeben:

EINZELHEITEN DER MARKIERUNG		
Umgebungstemperatur	Kennzeichnung ATEX	Kennzeichnung IECEX
-60°C ≤ Ta ≤ +65°C	⊕ II 2 G Ex db IIC T5 Gb	Ex db IIC T5 Gb
-50°C ≤ Ta ≤ +65°C	⊕ II 2 D Ex tb IIIC T100°C Db IP66/IP68	Ex tb IIIC T100°C Db IP66/IP68
-60°C ≤ Ta ≤ +55°C	⊕ II 2 G Ex db IIC T6 Gb	Ex db IIC T6 Gb
-50°C ≤ Ta ≤ +55°C	⊕ II 2 D Ex tb IIIC T85°C Db IP66/IP68	Ex tb IIIC T85°C Db IP66/IP68

Tab. 1

3.1.2 Notwendige Eigenschaften installierbarer Videokameras

NOTWENDIGE EIGENSCHAFTEN INSTALLIERBARER VIDEOKAMERAS				
	Verbrauch		Abmessungen (WxHxL)	
	Mit IP-Video-Encoder	Ohne IP-Video-Encoder	Mit IP-Video-Encoder	Ohne IP-Video-Encoder
Gehäuse				
MVX	6W	8W	70mmx65mmx120mm	70mmx65mmx140mm
MVXT	6W	8W	70mmx65mmx120mm	70mmx65mmx140mm
MVXHD	6W	8W	70mmx65mmx100mm	70mmx65mmx140mm

Tab. 2

3.1.3 Installationsanleitungen

Alle Steckverbinder/Kabelverschraubungen müssen entsprechend mit explosions sicherer Schutzart "db" bzw. "tb", IP66/IP68 ATEX/IECEX-zertifiziert, für die Einsatzbedingungen geeignet und richtig installiert sein.

Wenn Conduit benutzt wird, muss ein ATEX/IECEX-zertifizierter Sperranschluss entsprechend mit explosions sicherer Schutzart "db" bzw. "tb", IP66/IP68 verwendet werden, der für die Einsatzbedingungen geeignet und richtig installiert ist. Der Sperranschluss darf nicht weiter als 50mm (1.97in) von der Vorrichtung angebracht sein.

Die Eingänge für die nicht benutzten Kabel müssen mit ATEX/IECEX-zertifizierten Schließvorrichtungen entsprechend mit explosions sicherer Schutzart "db" bzw. "tb", IP66/IP68 versiegelt werden, die für die Einsatzbedingungen geeignet und richtig installiert sind.

Bei Raumtemperaturen unter -10°C sind Kabel zu verwenden, die für die Mindestraumtemperatur geeignet sind.

Zu verwenden sind Kabel, Kabeldurchführungen, Zubehörteile oder andere Anschlusselemente, die sich dafür eignen, einer Temperatur standzuhalten, und zwar über: +80°C

3.1.4 Montageanleitungen



Das Gehäuse kann in jeder beliebigen Position installiert werden.

3.1.5 Besondere Bedingungen für die sichere Anwendung

- Die zu installierenden Videokameras dürfen nicht elektromagnetisch sein oder Laser, Quellen für kontinuierliche Wellen oder Ausrüstungen, die Ultraschallenergie ausstrahlen, enthalten.
- Die installierbaren Videokameras dürfen keine Batterien enthalten.
- Die Videokameras müssen geometrische Grundformen aufweisen.
- Der Abstand zwischen der installierten Kamera und der Innenfläche des Gehäusefensters muss den folgenden Wert haben.: 4mm

3.1.6 Zusätzliche Informationen

Das Produkt hat den Ingress Protection-Test gemäß EN/IEC60529 bestanden: IP66, IP68.

4 Identifizierung

4.1 Beschreibung und Bezeichnung des Produktes

Das explosionsichere Gehäuse der Serie MAXIMUS MVX wurde für den Gebrauch von Videokameras in industriellen Umgebungen realisiert, wo es zu explosiven Atmosphären durch Gas, Dämpfe, Nebel oder Mischungen aus Luft oder Staub kommen kann.

Die Gehäuse MAXIMUS MVX werden aus mikrogestrahltem Edelstahl AISI 316L hergestellt.

Im hinteren Flansch ist der Innenschlitten eingebaut, auf dem die Videokamera positioniert werden muss; er enthält auch den Steuerteil der internen Elektronik, der die Versorgung und die Heizvorrichtungen des Gehäuses steuert.

Eingeführt werden die Kabel über ein Gewindeloch 3/4" NPT in der Rückwand. Die Anschlüsse müssen im Einklang mit IEC/EN60079-14 vorgenommen werden.

Die Gehäuse der Familie MAXIMUS MVX haben eine Schutzart von IP66/IP68 und können bei folgenden Temperaturen installiert werden.

T5: von -60°C bis zu +65°C oder von -50°C bis zu +65°C

T6: von -60°C bis zu +55°C oder von -50°C bis zu +55°C

4.2 Kennzeichnung des Produkts

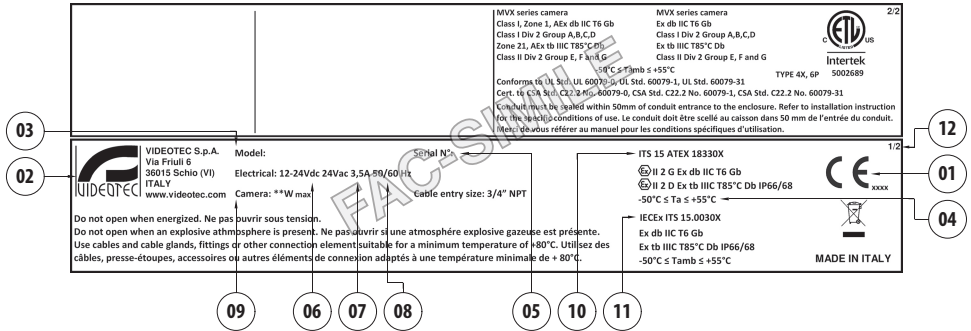


Abb. 2

- CE-Kennzeichnung und Nummer der benannten Stelle für die Überprüfung der Konformität der Produktion.
- Name und Adresse des Herstellers
- Identifizierungscode des Modells
- Umgebungsbetriebstemperatur bezüglich Identifizierungscode des Modells
- Seriennummer (Die zweite und dritte Ziffer geben das Baujahr an)
- Versorgungsspannung (V)
- Stromaufnahme (A)
- Frequenz (Hz)
- Verbrauch von Kamera/Optik (W)
- ATEX-Zertifizierung:
 - Kennzeichnungsnummer ATEX
 - Klassifizierung des Zonentyps, Schutzmethode, Temperaturklasse für die die Verwendung dieses Produktes gemäß der Richtlinie ATEX zugelassen ist.

KENNZEICHNUNG ATEX		
Umgebungstemperatur	Gaskennzeichnung	Staubkennzeichnung
-60°C to +65°C	⊕ II 2 G Ex db IIC T5 Gb	⊕ II 2 D Ex tb IIIC T100°C Db
-50°C to +65°C		
-60°C to +55°C	⊕ II 2 G Ex db IIC T6 Gb	⊕ II 2 D Ex tb IIIC T85°C Db
-50°C to +55°C		

Tab. 3

11. IECEx-Zertifizierung:

- Kennzeichnungsnummer IECEx
- Klassifizierung des Zonentyps, Schutzmethode, Temperaturklasse für die die Verwendung dieses Produktes gemäß der Richtlinie IECEx zugelassen ist.

KENNZEICHNUNG IECEx		
Umgebungstemperatur	Gaskennzeichnung	Staubkennzeichnung
-60°C to +65°C	Ex db IIC T5 Gb	Ex tb IIIC T100°C Db
-50°C to +65°C		
-60°C to +55°C	Ex db IIC T6 Gb	Ex tb IIIC T85°C Db
-50°C to +55°C		

Tab. 4

12. Im Gehäuse können zusätzliche Etiketten angebracht sein, die die Zeichen weiterer Zertifizierungen tragen. Die Etiketten sind nummeriert, das Markierungsdetail ist in einem das Produkt begleitenden Zusatzdokument angegeben.

5 Produktschlüssel

MAXIMUS MVX - PRODUKTSCHLÜSSEL														
	Spannung		Kamera		Zubehör		Anschluss		Video Ausgang		Modelle		Ausgabe	
MVX	2	12Vdc-24Vdc/24Vac	00	Ohne Kamera	S	Ohne Zubehör	0	Ohne Kabel, ohne Kabeldurchführung	0	Analog	00	T5 -60°C/+65°C	A	Erste Ausgabe
			**	Vorinstallierte Videokamera	W	Mit Scheibenwischer	*	Anschlussvorrichtungen	Z	IP H.264	01	T5 -50°C/+65°C		
											02	T6 -60°C/+55°C		
											03	T6 -50°C/+55°C		

Tab. 5

MAXIMUS MVXT - PRODUKTSCHLÜSSEL																
	Spannung		Kamera		Zubehör		Anschluss		Video Ausgang		Modelle		Ausgabe		Wärmekamera Frame-Rate	
MVXT	2	12Vdc-24Vdc/24Vac	00	Ohne Kamera	S	Ohne Zubehör	0	Ohne Kabel, ohne Kabeldurchführung	0	Analog	00	T5 -60°C/+65°C	A	Erste Ausgabe	Leer	7.5-8.3Hz
			**	Vorinstallierte Videokamera			*	Anschlussvorrichtungen	Z	IP H.264	01	T5 -50°C/+65°C	B	Zweite Ausgabe	H	25-30Hz
											02	T6 -60°C/+55°C				
											03	T6 -50°C/+55°C				

Tab. 6

MAXIMUS MVXHD - PRODUKTSCHLÜSSEL														
	Spannung		Kamera		Zubehör		Anschluss		Video Ausgang		Modelle		Ausgabe	
MVXHD	2	12Vdc-24Vdc/24Vac	00	Ohne Kamera	S	Ohne Zubehör	0	Ohne Kabel, ohne Kabeldurchführung	0	Ohne Video-Encoder	00	T5 -60°C/+65°C	A	Erste Ausgabe
			**	Vorinstallierte Videokamera	W	Mit Scheibenwischer	*	Anschlussvorrichtungen	Z	IP H.264	01	T5 -50°C/+65°C	B	Zweite Ausgabe
											02	T6 -60°C/+55°C		
											03	T6 -50°C/+55°C		

Tab. 7

6 Versionen

6.1 Getempertes Glas

Das Produkt kann mit gehärtetem Glas ausgestattet sein.

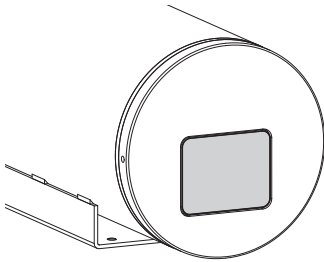


Abb. 3

6.2 Vorinstallierter Wischer

Das Produkt kann mit einem Scheibenwischer ausgestattet sein.

Der integrierte Scheibenwischer kann über eine Tastatur oder einen potenzialfreien Kontakt ferngesteuert werden.

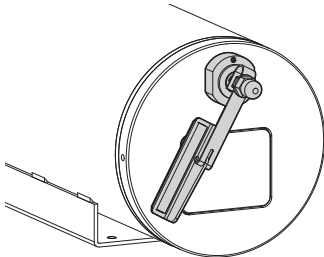


Abb. 4

6.3 Fensterscheibe aus Germanium



Das Schutzgitter muss immer vorhanden sein, wenn die Einheit in Betrieb ist. Die Missachtung dieses Verbotes kann die Sicherheit des Personals und der Anlage stark gefährden und führt sie zum Verlust der Gewährleistungsrechte.

Die Version ist mit Fensterscheibe aus Germanium ausgestattet, die eigens für Anlagen mit Wärmebildkameras ausgelegt ist.

Diese Ausführung sieht ein Schutzgitter aus Edelstahl AISI 316L vor.

Je nach Kameramodell können 2 verschieden große Germaniumfenster mit ihren Gittern installiert werden.

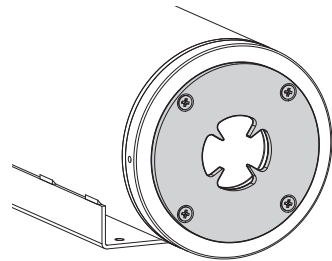


Abb. 5 Kleines Schutzgitter.

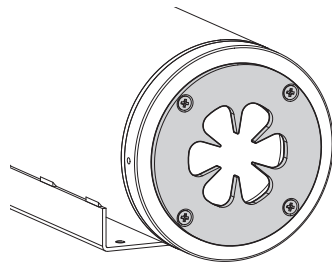


Abb. 6 Großes Schutzgitter.

7 Vorbereitung des Produktes auf den Gebrauch



Jede Art von Änderung, die nicht ausdrücklich vom Hersteller gebilligt wurde, lässt die Garantie und die Zertifizierung verfallen.

7.1 Sicherheitsvorkehrungen vor dem Gebrauch



Sicherstellen, dass alle Geräte für den Gebrauch im Installationsraum zugelassen sind.



Unterbrechen Sie die Stromversorgung, bevor die beschriebenen Arbeiten durchgeführt werden.



Die elektrische Anlage muss mit einem Netztrennschalter versehen sein, der im Bedarfsfall sofort erkannt und gebraucht werden kann.



Unterbrechen Sie die Stromversorgung, bevor die beschriebenen Arbeiten durchgeführt werden.



Vor der Installation die Anschlüsse und die Laborprüfungen ausführen. Dazu entsprechende Werkzeuge verwenden.



Bevor man irgendwelche Operationen ausführt, muss sichergestellt werden, dass die Spannung der Leitung korrekt ist.



Da das Gerät relativ schwer ist, muss man ein entsprechendes System für den Transport und das Handling verwenden. Wir empfehlen daher dem zuständigen Personal, diese Operationen gemäß der allgemeinen Sicherheitsnormen bezüglich Unfallverhütung auszuführen.

Falls das Gerät mit aggressiven Substanzen in Kontakt kommt, ist der Benutzer dafür verantwortlich, entsprechende Vorsichtsmaßnahmen zu ergreifen, um einer Beschädigung vorzubeugen und die Schutzvorrichtungen nicht zu beeinträchtigen.

- **Aggressive Substanzen:** Säurehaltige Flüssigkeiten oder Gase können die Metalle angreifen oder Lösungsmittel, die polymere Materialien beeinflussen können.
- **Zutreffende Vorsichtsmaßnahmen:** Regelmäßige Kontrollen in den Routineinspektionsbereichen bzw. Prüfungen gemäß der technischen Beschreibung der Materialfestigkeit gegen spezifische chemische Wirkstoffe.

Der Endbenutzer ist dafür verantwortlich, sicherzustellen, dass die für die Herstellung des Produktes verwendeten Materialien für den vorgesehenen Installationsort geeignet sind. Im Zweifelsfall den Hersteller konsultieren.

7.2 Entfernen der Verpackung

Bei der Lieferung des Produktes ist zu prüfen, ob die Verpackung intakt ist oder offensichtliche Anzeichen von Stürzen oder Abrieb aufweist.

Bei offensichtlichen Schadensspuren an der Verpackung muss umgehend der Lieferant verständigt werden.

Im Falle der Rückgabe des nicht korrekt funktionierenden Produktes empfiehlt sich die Verwendung der Originalverpackung für den Transport.

Bewahren Sie die Verpackung auf für den Fall, dass das Produkt zur Reparatur eingesendet werden muss.

7.3 Inhalt

Prüfen Sie, ob der Inhalt mit der nachstehenden Materialliste übereinstimmt:

- Ex-geschütztes Gehäuse
- Abstandstück und Schrauben für die Montage des Dachs
- Dokumentation
- Kabelbinder
- Silikonummantelung
- Ersatzteilkit O-Ring
- Bedienungsanleitungen
- Sonnenschutzdach
- Schrauben (Montage der Halterung)

7.4 Sichere Entsorgung der Verpackungsmaterialien

Die Verpackungsmaterialien sind vollständig wiederverwertbar. Es ist Sache des Installationstechnikers, sie getrennt, auf jeden Fall aber nach den geltenden Vorschriften des Anwendungslandes zu entsorgen.

7.5 Auf die Installation vorbereitende Tätigkeiten



Die Installation mit geeigneten Werkzeugen ausführen. Dennoch kann der Ort, an dem die Vorrichtung installiert wird, den Einsatz von Spezialwerkzeugen erfordern.



Der Installierende muss sicherstellen, dass zwischen dem installierten Produkt und der Anlage eine durchgängige Erdung vorhanden ist.



Eine Installationsoberfläche auswählen, die ausreichend widerstandsfähig ist und dazu geeignet, dem Gewicht des Gerätes standzuhalten; dabei müssen die besonderen Umgebungsbedingungen wie starker Wind berücksichtigt werden.



Vor dem Einschalten der Stromversorgung prüfen, dass das Gerät fest verankert ist.



ACHTUNG! Die Installation und Wartung der Vorrichtung ist technischen Fachleuten vorbehalten.



Für Kundendiensteingriffe wenden Sie sich ausschließlich an autorisiertes technisches Personal.



Da der Benutzer für die Auswahl der Verankerungsfläche der Einheit verantwortlich ist, liefert der Hersteller die Befestigungsvorrichtungen für die Verankerung der Einheit auf der Oberfläche nicht mit. Der Installateur ist daher für die Auswahl der für die zur Verfügung stehende Oberfläche geeigneten Vorrichtungen verantwortlich. Normalerweise empfehlen wir die Verwendung von Methoden und Materialien, die in der Lage sind, einem Gewicht standzuhalten, das 4 Mal größer als das Gewicht des Gerätes ist.

Die Einheit kann mit verschiedenen Bügeln und Halterungen installiert werden.

Wir empfehlen, ausschließlich Bügel und Zubehör zu verwenden, die für die Installation geeignet sind.

7.5.1 Befestigung an der Brüstung

Zunächst den Sockel des Adapters am endgültigen Bestimmungsort befestigen. Schrauben verwenden, die einem Gewicht standhalten können, das mindestens 4 mal größer als das der Einheit ist.

Eine ausreichende Menge an Schraubensicherung (Loctite 270) anbringen.

Schrauben festziehen.

Die Schraubensicherung eine Stunde lang wirken lassen, dann die Installation beenden.

Die Basis (01) kann am Säulenadapter NXFWBT mithilfe von 4 mitgelieferten Senkschrauben (02) befestigt werden.

Das Gelenk (03) mit den mitgelieferten Muttern und Unterlegescheiben unten blockieren.

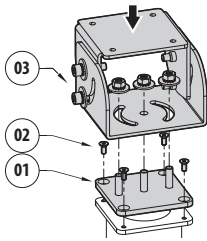


Abb. 7

Das Gehäuse mit den Schrauben und den mitgelieferten Unterlegescheiben am Gelenk befestigen.

Eine ausreichende Menge an Schraubensicherung (Loctite 270) anbringen.

Schrauben festziehen.

Auf die Befestigung achten.
Anzugsdrehmoment: Von 6Nm bis zu 8Nm.

Die Schraubensicherung eine Stunde lang wirken lassen, dann die Installation beenden.

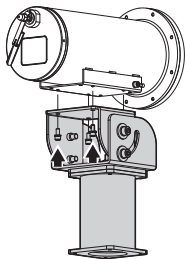


Abb. 8

7.5.2 Befestigung mit Bügel

Die Halterung kann direkt an einer vertikalen Wand befestigt werden. Schrauben und Wandbefestigungsvorrichtungen verwenden, die einem Gewicht standhalten können, das mindestens viermal größer als das der Einheit ist.

Für die Befestigung der Vorrichtung am Bügel müssen 4 flache Unterlegescheiben, 4 gezahnte Unterlegescheiben aus Edelstahl und 4 versenkte Sechskantschrauben aus Edelstahl verwendet werden (mitgeliefert).

Sicherstellen, dass die Gewinde ohne Schmutz und Rückstände sind.

Eine ausreichende Menge von Schraubensicherung (Loctite 270) an den 4 Schrauben anbringen.

Schrauben festziehen.

Die Schraubensicherung eine Stunde lang wirken lassen, dann die Installation beenden.

Auf die Befestigung achten.
Anzugsdrehmoment: Von 6Nm bis zu 8Nm.

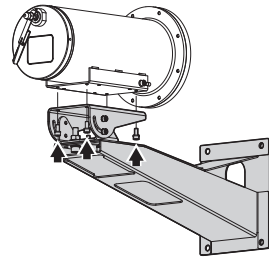


Abb. 9

7.5.3 Befestigung durch Mastverseilung oder Winkeladaptermodul

Um das Produkt an der Mastverseilung zu installieren bzw. in Übereinstimmung eines Winkels muss man in erster Linie die Einheit an der Wandhalterung befestigen (7.5.2 Befestigung mit Bügel, Seite 18).

7.5.3.1 Befestigung an Mastverseilung

Um den Wandhalterungsbügel an der Mastverseilung zu befestigen verwendet man 4 flache Unterlegescheiben, 4 Grower-Unterlegescheiben aus Edelstahl und 4 Sechskantschrauben aus Edelstahl (A4 Klasse 70) M10x30mm.

Sicherstellen, dass die Gewinde ohne Schmutz und Rückstände sind.

Reichlich Gewindegewissungsmittel (Loctite 270) auf die 4 Gewindeöffnungen des Wandhalterungsbügel auftragen.

Schrauben festziehen.

**⚠ Auf die Befestigung achten.
Anzugsdrehmoment: 35Nm.**

Die Schraubensicherung eine Stunde lang wirken lassen, dann die Installation beenden.

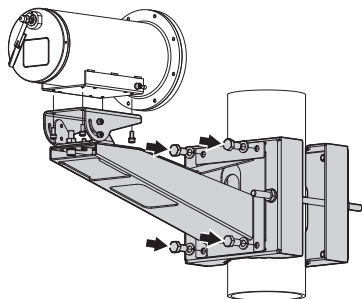


Abb. 10

7.5.3.2 Befestigung mit Winkelmodul

Um den Halterungsbügel am Winkeladaptermodul zu befestigen verwendet man 4 flache Unterlegescheiben, 4 Grower-Unterlegescheiben aus Edelstahl und 4 Sechskantschrauben aus Edelstahl (A4 Klasse 70) M10x30mm.

Sicherstellen, dass die Gewinde ohne Schmutz und Rückstände sind.

Reichlich Gewindegewissungsmittel (Loctite 270) auf die 4 Gewindeöffnungen des Winkelmoduls aufbringen.

Schrauben festziehen.

**⚠ Auf die Befestigung achten.
Anzugsdrehmoment: 35Nm.**

Die Schraubensicherung eine Stunde lang wirken lassen, dann die Installation beenden.

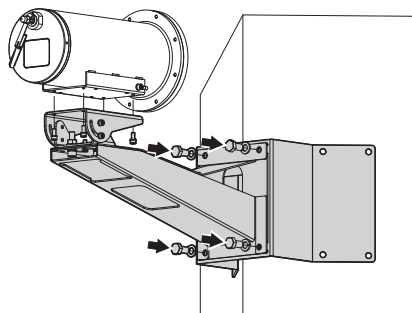


Abb. 11

8 Zusammenbau



Alle Anschlüsse, die Installations- und Wartungseingriffe in nicht explosionsgefährdeten Bereichen ausführen.



Sicherstellen, dass alle Geräte für den Gebrauch im Installationsraum zugelassen sind.



ACHTUNG! Die elektrische Anlage, an der die Einheit angeschlossen ist, muss mit einem automatischen zweipoligen Schutzschalter 10A max ausgestattet sein. Zwischen den Schutzschalter Kontakten muss mindestens ein Abstand von 3mm vorhanden sein. Der Schalter muss eine Schutzeinrichtung gegen Erde Fehlerstrom (Differenzial) und gegen Überstrom haben (magnetothermisch).



Die elektrischen Anschlüsse nur durchführen, wenn die Stromversorgung abgetrennt und die Trennvorrichtung offen ist.



Die elektrische Anlage muss mit einem Netztrennschalter versehen sein, der im Bedarfsfall sofort erkannt und gebraucht werden kann.



Es dürfen keine Kabel mit Verschleiß- oder Alterungsspuren verwendet werden.



ACHTUNG! Die Installation und Wartung der Vorrichtung ist technischen Fachleuten vorbehalten.



Die nationalen Vorschriften für die Installation der Einrichtung sind einzuhalten.



Das Gehäuse kann in jeder beliebigen Position installiert werden.



Die installierbaren Videokameras dürfen keine Batterien enthalten.



VIDEOTEC empfiehlt, vor der endgültigen Montage am Installationsort die Konfiguration und die Leistungen des Gerätes zu prüfen.

8.1 Benutzerfeld

Die Einheit ist für den Gebrauch an einem festen Ort für die Überwachung eines potenziell explosionsgefährdeten Bereichs, 1-21 oder 2-22 klassifiziert, realisiert worden.

Die Einheit wurde gemäß der Richtlinie 2014/34/UE und den internationalen Standards IECEx, die den Anwendungsbereich und die Sicherheitsmindestanforderungen festsetzen, hergestellt und zertifiziert.

8.2 Öffnung des Schutzgehäuse



Während der Öffnung und Schließung des Produktes ist darauf zu achten, dass die explosionsgeschützte Verbindung dadurch nicht unbrauchbar wird.

Für die Installation der Videokamera muss der hintere Boden des Gehäuses geöffnet werden.

Die zur Schließung der Rückseite dienenden Schrauben ausdrehen, die Unterlegscheiben entfernen und die Rückseite vom Gehäusekorpus abziehen.

Merkmale der Schrauben

- Durchmesser/Schraubengang: M5x0.8
- Material: A4 Gruppe 70
- Schraubenkopf: ISO 4762
- Länge: 12mm
- Fließspannung (min): 450N/mm²



Besondere Vorsicht ist beim Öffnen der Ausführung mit integriertem Scheibenwischer geboten. Der Schlitten ist langsam auszufahren, damit die Anschlüsse keinen Schaden nehmen. Die Steckverbinder sind abzutrennen, bevor der Schlitten vollständig ausgefahren wird.

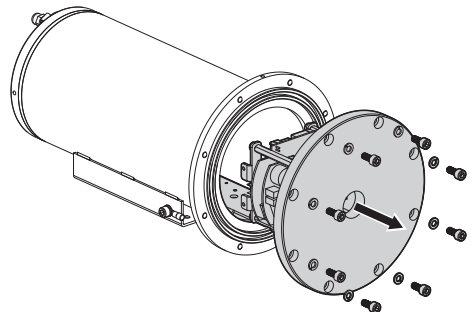


Abb. 12

8.3 Beschreibung der Prüfplatine

BESCHREIBUNG DER PLATINE	
Verbinder/ Klemme	Funktion
J1	Stromversorgung/Videosignal (Analogkamera)
J2	Sensoren des Scheibenwischers
J3	Relais und Alarm (Kamera)
J4	Stromversorgung (Lüfter)
J5	Stromversorgung (Scheibenwischer)
J6	Stromversorgung (Kamera)
DIP1	Konfiguration der seriellen Leitung

Tab. 8

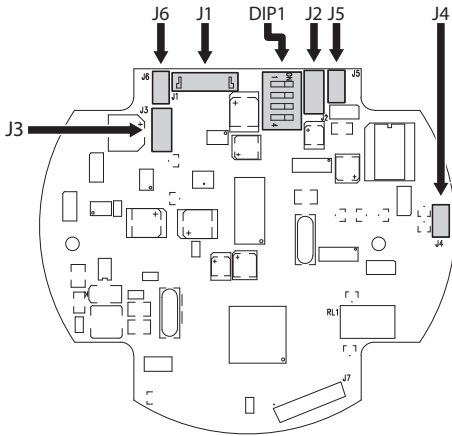


Abb. 13

8.4 Beschreibung der Karte Anschlüsse

BESCHREIBUNG DER PLATINE	
Verbinder/ Klemme	Funktion
J1	Video Ausgang (digital)
J5	Video Ausgang (Kamera)
J6	Stromversorgung (IP-Video-Encoder)
J7	Stromversorgung (Gehäuse)
J8	Video Ausgang (analog)
J11	Relais, Alarm, Serielle linie, factory default
J12	Signalkabel (IP-Video-Encoder)
J13	Kameraversorgung
FUS1	Sicherung

Tab. 9

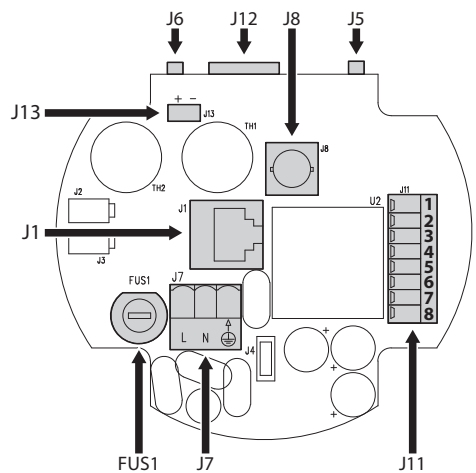


Abb. 14

8.5 Installation der Kamera



Die installierbaren Videokameras dürfen keine Batterien enthalten.



Weitere Informationen zu den installierbaren Kameras können dem entsprechenden Kapitel entnommen werden. (3.1.2 Notwendige Eigenschaften installierbarer Videokameras, Seite 10).

Videokamera/Optik auf dem internen Schlitten montieren, sodass die Installationshöhe eine perfekte Sicht aus dem Fenster garantiert.

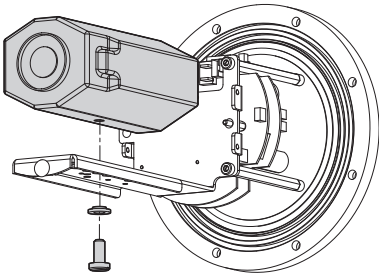


Abb. 15

Mindestinstallationsabstand zwischen Kamera und Gehäuseglas: 4mm (Die Distanz ist der Wert zwischen Glas und Schlittenrand).

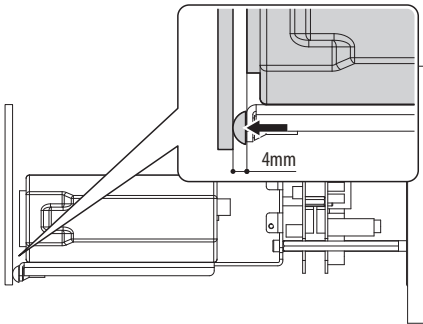


Abb. 16

8.6 Anschluss der Kamera

ANSCHLUSS DER KAMERA

Version	Netzteil	Videosignal	Übertragungsleitungen
Unspezifische IP-Version	J13 (Karte der Verbinder)	Steckverbinder der Videokamera/ Direkter Anschluss an die Kamera	-
Analogversion/ Digitale SD-Version	J1 (Prüfplatine)	J1 (Prüfplatine)	J1 (Prüfplatine)
Digitale HD-Version	J6 (Prüfplatine)	J12 (Karte der Verbinder)	J12 (Karte der Verbinder)

Tab. 10



Das Videosignalkabel der IP-Version wird direkt an die Kamera angeschlossen.

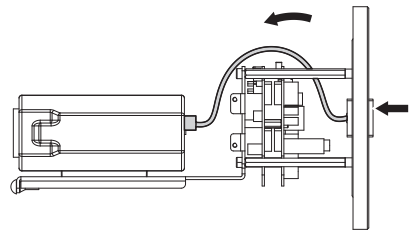





Abb. 17


9 Installation


 Die Einrichtung nicht öffnen, wenn sie Spannung führt oder eine explosionsfähige Atmosphäre herrscht.

 Alle Anschlüsse, die Installations- und Wartungseingriffe in nicht explosionsgefährdeten Bereichen ausführen.

 Sicherstellen, dass alle Geräte für den Gebrauch im Installationsraum zugelassen sind.


 **ACHTUNG!** Die elektrische Anlage, an der die Einheit angeschlossen ist, muss mit einem automatischen zweipoligen Schutzschalter 10A max ausgestattet sein. Zwischen den Schutzschalter Kontakten muss mindestens ein Abstand von 3mm vorhanden sein. Der Schalter muss eine Schutzeinrichtung gegen Erde Fehlerstrom (Differenzial) und gegen Überstrom haben (magnetothermisch).

 Die elektrischen Anschlüsse nur durchführen, wenn die Stromversorgung abgetrennt und die Trennvorrichtung offen ist.

 Die elektrische Anlage muss mit einem Netztrennschalter versehen sein, der im Bedarfsfall sofort erkannt und gebraucht werden kann.

 Es dürfen keine Kabel mit Verschleiß- oder Alterungsspuren verwendet werden.


 **ACHTUNG!** Die Installation und Wartung der Vorrichtung ist technischen Fachleuten vorbehalten.

 Die nationalen Vorschriften für die Installation der Einrichtung sind einzuhalten.

 Das Gehäuse kann in jeder beliebigen Position installiert werden.

 Alle nicht angeschlossenen Drähte sind elektrisch zu isolieren.

 Die installierbaren Videokameras dürfen keine Batterien enthalten.

 **VIDEOTEC empfiehlt, vor der endgültigen Montage am Installationsort die Konfiguration und die Leistungen des Gerätes zu prüfen.**

9.1 Kabeleingang

Um die Verbreitung von Flammen oder Explosionen von der Vorrichtung auf das Leitungssystem oder die Kabelverschraubung und von diesen wiederum auf die Außenumgebung zu verhindern, muss man einen Anschluss gemäß EC/EN60079-14 ausführen.

Es dürfen keine einzelnen Kabel ohne Mantel benutzt werden, es sei denn, diese sind innerhalb einer Leerrohranlage installiert.

Alle Kabelverschraubungen müssen entsprechend mit explosions sicherer Schutzart "db" bzw. "tb", IP66/IP68 ATEX/IECEX-zertifiziert, für die Einsatzbedingungen geeignet und richtig installiert sein.

Der Einbau einer mit Harz verfestigten Vorrichtung zwischen Gehäuse und sicherem Bereich ist vorgeschrieben (Kabeldurchführung mit Dichtbarriere oder Klemmverschraubung).

Wenn Conduit benutzt wird, muss ein ATEX/IECEX-zertifizierter Sperranschluss entsprechend mit explosions sicherer Schutzart "db" bzw. "tb", IP66/IP68 verwendet werden, der für die Einsatzbedingungen geeignet und richtig installiert ist. Der Sperranschluss darf nicht weiter als 50mm (1.97in) von der Vorrichtung angebracht sein.

9.2 Anschluss der Verbinderplatine

9.2.1 Anschluss der Stromversorgung

! Die elektrischen Anschlüsse nur durchführen, wenn die Stromversorgung abgetrennt und die Trennvorrichtung offen ist.

! Im Zuge der Installation ist zu prüfen, ob die Merkmale der von der Anlage bereitgestellten Versorgung mit den erforderlichen Merkmalen der Einrichtung übereinstimmen.

! **ACHTUNG!** Die Anlage gehört zum Typ TNV-1. Nicht an Kreisläufe SELV anschließen.

! Prüfen Sie, ob die Quelle und das Versorgungskabel sachgerecht bemessen sind.

! Für den Erdungsschutzanschluss verwendet man Kabel mit entsprechendem Querschnitt: 2.5mm² (13AWG).

ANSCHLUSS DER STROMVERSORGUNG	
Farbe	Klemmen
Stromversorgung 24Vac/24Vdc/12Vdc	
Vom Installateur festgelegt.	~/+
Vom Installateur festgelegt.	~/-
Gelb/Grün	⊕

Tab. 11

Die Versorgungskabel sind an die Versorgungsklemme der Steckerplatte anzuschließen. Achten Sie darauf, wo das Erdungskabel zu fixieren ist. (J7, 8.4 Beschreibung der Karte Anschlüsse, Seite 21).

! Das Erdungskabel muss um etwa 10mm länger sein, als die anderen beiden Kabel, um das ungewollte Lösen durch Ziehen des Kabels zu verhindern.

! Ferner muss das Versorgungskabel von einer Silikonummantelung (01) überzogen sein, die im Lieferumfang enthalten ist. Die Silikonummantelung soll mit dem zugehörigen Binder fixiert werden (02).

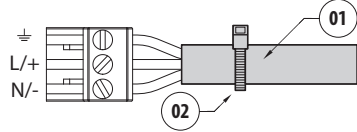


Abb. 18

Die in der Tabelle für die einzelnen Versorgungsarten angegebenen Höchstlängen für die Versorgungskabel sind einzuhalten.

EIGENSCHAFTEN DER KABEL		
Kabelquerschnitt	Versorgungsspannung	Maximale Kabellänge
1mm ² (17AWG)	12Vdc	5m
	24Vdc	15m
	24Vac	30m
1.5mm ² (16AWG)	12Vdc	7m
	24Vdc	25m
	24Vac	45m
2.5mm ² (13AWG)	12Vdc	15m
	24Vdc	40m
	24Vac	80m

Tab. 12

9.2.2 Anschluss des Videokabels

⚠ ACHTUNG! Zur Senkung der Brandgefahr dürfen nur Kabel benutzt werden, die mindestens dem Querschnitt 0.14mm² entsprechen (26AWG).

Wir empfehlen die Verwendung der folgenden Koaxialkabel:

- RG59
- RG174A/U UL1354

Empfohlen wird die Verwendung von Ethernetkabeln mit den folgenden Eigenschaften:

- STP (geschirmt)
- Kategorie 5E (oder höher)

9.2.2.1 Anschluss des Videokabels (Analoges Ausgangssignal)

Das vom Gehäuse abgehende Videokabel ist an den analogen Videoausgang anzuschließen. (J8, 8.4 Beschreibung der Karte Anschlüsse, Seite 21).

9.2.2.2 Anschluss des Videokabels (IP generic camera)

i Das Kabel RS-485 und das Videokabel nicht anschließen, wenn eine IP-Kamera verwendet wird.

Das vom Gehäuse abgehende Ethernet-Netzwerkkabel ist direkt an die allgemeine IP-Kamera anzuschließen.

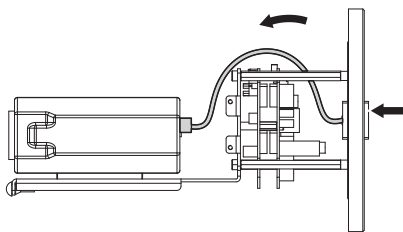


Abb. 19

9.2.2.3 Anschluss des Videokabels (Digitales Ausgangssignal)

i Das Kabel RS-485 und das Videokabel nicht anschließen, wenn eine IP-Kamera verwendet wird.

Das vom Gehäuse abgehende Ethernet-Netzwerkkabel ist an den digitalen Videoausgang anzuschließen (J1, 8.4 Beschreibung der Karte Anschlüsse, Seite 21).

9.2.3 Anschluss der Signalkabel.

⚠ ACHTUNG! Die Anlage gehört zum Typ TNV-1. Nicht an Kreisläufe SELV anschließen.

i Verwenden Sie ein geschirmtes Mehraderkabel. Das Abschirmgeflecht des geschirmten Kabels an Klemme 8 anschließen. (J11, Tab. 13, Seite 25).

Die abgehenden Signalkabel sind an den Steckverbinder „Relais, Alarmer, serielle Leitung, Factory default“ anzuschließen. (J11, 8.4 Beschreibung der Karte Anschlüsse, Seite 21).

BEZEICHNUNG DER KLEMME (J11)	
Kontakte der Klemme	Funktion
1	RS-485 A (+)
2	RS-485 B (-)
3	Relais 1, Terminal A
4	Relais 1, Terminal B
5	Digitaleingang
6	GND
7	Reset
8	Shield

Tab. 13

9.2.3.1 Anschluss der seriellen Linie

Das Produkt sieht eine intern abgeschlossene, Halbduplex, serielle Kommunikationsleitung RS-485 vor (der Schalter 4 von DIP1 befindet sich standardmäßig in der Position ON).

Für die Analogkameraausführungen kann eine Änderung der Einstellung notwendig sein. Den Schalter 4 von DIP1 in die Position OFF bringen, um die nicht im Inneren abgetrennte Leitung RS-485 zu konfigurieren (8.3 Beschreibung der Prüfplatine, Seite 21).

Die serielle Leitung an den Steckverbinder „Relais, Alarmer, serielle Leitung, Factory default“ anschließen. (J11, Klemme 1/Klemme 2, 8.4 Beschreibung der Karte Anschlüsse, Seite 21).

9.2.3.2 Anschluss der Relais



Es kann das Relais mit den in Folge beschriebenen Spezifikationen verwendet werden. Arbeitsspannung: bis zu 30Vac oder 60Vdc. Strom: 1A max. Verwenden Sie Kabel mit einem geeigneten Querschnitt und mit folgenden Eigenschaften: von 0.25mm² (24AWG) bis zu 1.5mm² (16AWG).

Da keine Polarität vorhanden ist, können beide Anschlüsse desselben Relais mit Wechsel- oder Gleichspannung verwendet werden.

Der potenzialfreie Kontakt ist vom Typ NO (Arbeitskontakt - normalerweise offen).

9.2.3.3 Anschluss des Scheibenwischers

Der Wiper kann ferngesteuert über einen potenzialfreien Kontakt NO (normalerweise geöffnet) aktiviert werden. Die Kabel des potentialfreien Kontakts an den Steckverbinder „Relais, Alarme, serielle Leitung, Factory default“ anschließen. (J11, Klemme 5/Klemme 6, 8.4 Beschreibung der Karte Anschlüsse, Seite 21).

In der Ausführung mit Scheibenwischer sind die Kabel an die Steckverbinder der Sensoren und der Versorgungsleitung des Scheibenwischers anzuschließen. (J2, J5, 8.3 Beschreibung der Prüfplatine, Seite 21).

9.3 Erdung



ACHTUNG! Die externen Anschlüsse für den Potenzialausgleich müssen mithilfe der Öse außen am Produkt vorgenommen werden. Nicht als Schutzklemme benutzen.

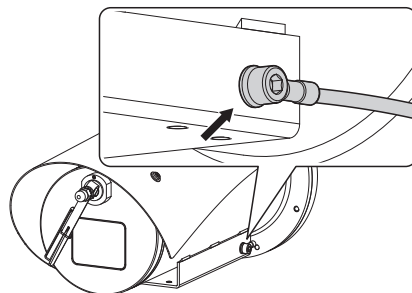


Abb. 20

Der Erdpotenzialausgleich muss durch ein externes Kabel mit Mindestquerschnitt vorgenommen werden, das die folgenden Eigenschaften aufweist: 4mm² (11AWG).

Das Kabel für den Erdpotenzialausgleich mit dem zum Lieferumfang gehörenden Ringkabelschuh verbinden. Geeignet für Kabel: von 4mm² bis zu 6mm².

Die Öse mit der im Lieferumfang enthaltenen Schraube (M5) und der gezahnten Unterlegscheibe fixieren.

Merkmale der Schraube (M5)

- Material: A4 Gruppe 70
- Schraubenkopf: ISO 4762
- Länge: 12mm

Der Potentialausgleich ist notwendig, um die vom Gesetz vorgesehenen zusätzlichen Verbindungen durchzuführen.

9.4 Schließen des Gehäuses



Sicherstellen, dass die Funktionstüchtigkeit des Systems positiven Ausgang hat, bevor man das Gehäuse schließt und das Gerät in explosionsgefährdeten Bereichen verwendet.



Während der Öffnung und Schließung des Produktes ist darauf zu achten, dass die explosionsgeschützte Verbindung dadurch nicht unbrauchbar wird.



Vor dem Schließen des Bodens die Integrität der O-Ring-Dichtung sicherstellen. Falls die Dichtung beschädigt ist, muss sie durch die mitgelieferte ersetzt werden.



Bei der Ausführung mit integriertem Scheibenwischer müssen die Verkabelungen vor dem Schließen des Gehäuses angeschlossen werden. (J2, J5, 8.3 Beschreibung der Prüfplatte, Seite 21).

Sicherstellen, dass kein Schmutz oder Rückstände vorhanden sind.

Die Kabel so anordnen, dass es während des Schließens des Bodens nicht zu Interferenzen kommt.

Den Boden in den Gehäusekörper einfügen, dabei die Schließbohrungen des Bodens mit denen des Gehäusekörpers ausrichten.



Darauf achten, die O-Ring-Dichtung nicht zu beschädigen.

Die zuvor demontierten Schrauben und Unterlegscheiben wieder festziehen.

Merkmale der Schrauben

- Durchmesser/Schraubengang: M5x0.8
- Material: A4 Gruppe 70
- Schraubenkopf: ISO 4762
- Länge: 12mm
- Fließspannung (min): 450N/mm²



Verwenden Sie zur Befestigung der Schrauben stets die zum Lieferumfang gehörenden Unterlegscheiben.



Auf die Befestigung achten.
Anzugsdrehmoment: Von 8Nm bis zu 9Nm.

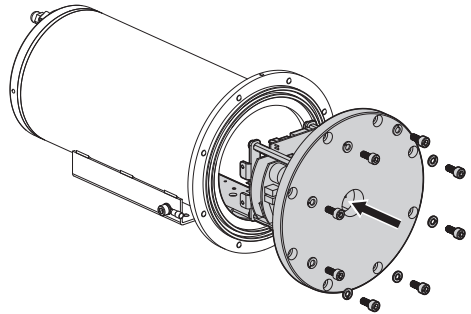


Abb. 21

9.5 Befestigung des Dachs



Bevor das Sonnenschutzdach des Gehäuses fixiert wird, ist die Schutzfolie abzuziehen (falls vorhanden).

Es ist möglich, das Sonnenschutzdach am Gehäuse zu befestigen. Hierzu die mitgelieferten Schrauben verwenden.

Eine ausreichende Menge an Schraubensicherung (Loctite 270) an den Gewindebohrungen anbringen.

Die Schraubensicherung eine Stunde lang wirken lassen, dann die Installation beenden.

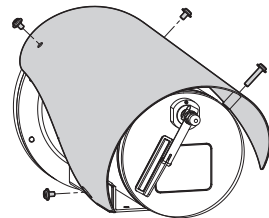


Abb. 22

10 Anleitung für einen sicheren Betrieb

10.1 Betrieb unter sicheren Bedingungen



Bevor man folgendes ausführt, muss sichergestellt werden, dass die Versorgungsspannung korrekt ist.

10.1.1 Inbetriebnahme

Das vorliegende Gebrauchshandbuch vor der Installation aufmerksam und vollständig durchlesen.

VIDEOTECH empfiehlt, vor der endgültigen Montage am Installationsort die Konfiguration und die Leistungen des Gerätes zu prüfen. Dazu entsprechende Werkzeuge verwenden.

Sicherstellen, dass die Funktionstüchtigkeit des Systems positiven Ausgang hat, bevor man das Gehäuse schließt und das Gerät in explosionsgefährdeten Bereichen verwendet.

Sicherstellen, dass alle Geräte für den Gebrauch im Installationsraum zertifiziert sind.

Um das Risiko eines Einschaltens zu verhindern, darf man das Gerät nicht bei potenziell explosionsgefährdeter Atmosphäre öffnen.

Nach der Inbetriebnahme muss das vorliegende Handbuch an einem sicheren Ort aufbewahrt werden, um in Zukunft konsultiert werden zu können.

10.1.2 Sicherheitsvorschriften

Sicherstellen, dass alle Vorsichtsmaßnahmen für die Sicherheit des Personals getroffen wurden.

Sicherstellen, dass die Versorgung abgetrennt wurde, bevor man Operationen ausführt.

Bevor man das System versorgt muss man in der elektrischen Anlage des Gebäudes eine Schutzvorrichtung installieren.

Die elektrische Installation der Anlage muss gemäß der geltenden Normen des Nutzerlandes erfolgen.

Die Installation des Gerätes darf ausschließlich von spezialisiertem Fachpersonal ausgeführt werden.

10.1.3 Vorschriften zur Vorbeugung von Explosionen

Entsprechendes Werkzeug für die Eingriffe in der jeweiligen Zone verwenden.

Denken Sie daran, dass die Vorrichtung an eine entsprechende elektrische Erdungsleitung angeschlossen werden muss.

Bevor man technische Eingriffe am Gerät vornimmt muss sichergestellt werden, dass die Zone nicht potenziell explosionsgefährdet ist.

Bevor man bedient, muss man die elektrische Versorgung abtrennen.

Keinen der Deckel öffnen, wenn die Möglichkeit besteht, dass man sich in einer potenziell explosionsgefährdeten Zone befindet.

- Alle Anschlüsse, die Installations- und Wartungseingriffe in nicht explosionsgefährdeten Bereichen ausführen.

11 Einschaltung

Für das Einschalten der Einheit die elektrische Versorgung anzulegen.

Die elektrische Versorgung abtrennen, um die Einheit abzuschalten.

11.1 Bevor man das Produkt in explosionsgefährdeten Bereichen versorgt



Sicherstellen, dass die Einheit und die anderen Bauteile der Anlage korrekt geschlossen sind, um den Kontakt mit unter Spannung stehenden Bauteilen zu verhindern.



Sicherstellen, dass das Gerät gemäß der Anweisungen im Handbuch an einer Erdungsleitung angeschlossen ist.



Sich vergewissern, dass die hintere Abdeckplatte korrekt verschlossen ist.



Sicherstellen, dass die Versiegelung der Kabeldurchführungen (falls vorhanden) korrekt ausgeführt wurde: die Härtungsdauer des Präparats für die Versiegelung muss ausreichend lang gewesen sein.



Sicherstellen, dass alle Bauteile auf sichere Weise installiert wurden.

12 Wartung



Bevor man technische Eingriffe am Gerät vornimmt muss sichergestellt werden, dass die Zone nicht potenziell explosionsgefährdet ist.



ACHTUNG! Die Installation und Wartung der Vorrichtung ist technischen Fachleuten vorbehalten.



Vor technischen Eingriffen am Gerät muss die Stromversorgung unterbrochen werden.



Der Hersteller lehnt jede Haftung für Schäden ab, die durch eigenmächtigen Zugriff, die Verwendung nicht originaler Ersatzteile sowie die Installation, Wartung oder Reparatur sämtlicher in diesem Handbuch genannter Geräte durch nicht fachkundige Personen entstehen.



Im Falle von Beschädigungen muss das Auswechseln oder die Reparatur der betreffenden Teile von VIDEOTEC ausgeführt werden bzw. unter ihrer Aufsicht.



Das Auswechseln der aufgeführten Bauteile darf nur durch originale Ersatzbauteile von VIDEOTEC erfolgen, dabei müssen strikt die Wartungsanweisungen im Anhang von jedem Ersatzteilbausatz befolgt werden.



Für Informationen zu den Abmessungen der explosionsgeschützten Verbindung wenden Sie sich bitte an den Hersteller.



Für jegliche Wartungsarbeiten wird empfohlen, das Produkt für die notwendigen Arbeiten in die Werkstatt zu bringen.

Wenn der Kundendienst von VIDEOTEC kontaktiert wird, muss die Seriennummer zusammen mit dem Identifizierungscode des Gerätes angegeben werden.

12.1 Wechsel der Sicherungen



ACHTUNG! Damit ein ständiger Brandschutz garantiert wird, sind die Sicherungen nur in dem gleichen Typ und Wert zu ersetzen. Die Sicherungen sind nur von Fachleuten zu ersetzen.

Die benutzte Schmelzsicherung ist wie folgt beschrieben.

WECHSEL DER SICHERUNGEN	
Versorgungsspannung	Sicherung (FUS1)
12Vdc	T 2A H 250V 5x20
24Vdc	T 2A H 250V 5x20
24Vac, 50/60Hz	T 2A H 250V 5x20

Tab. 14

Als Alternative eine zugelassene Sicherung mit denselben Eigenschaften verwenden.

Die Schrauben, mit denen der Schlitten an den Abstandhaltern der Rückseite festgehalten wird, müssen ausgedreht, die Steckverbinder müssen aus der Karte abgezogen werden.

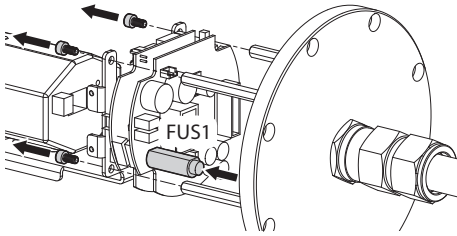
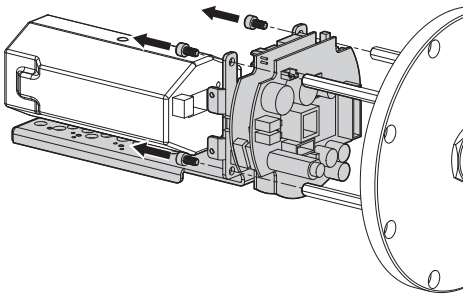


Abb. 23

12.2 Austausch des Schlittens



Die Schrauben, mit denen der Schlitten an den Abstandhaltern der Rückseite festgehalten wird, müssen ausgedreht, die Steckverbinder müssen aus der Karte abgezogen werden.

Abb. 24

12.3 Auswechseln der Dichtung des hinteren Bodens

Im Falle eines Verschleißes der O-Ring-Dichtung muss sie durch die mitgelieferte Dichtung ersetzt werden. Als Ersatz für die mitgelieferte Dichtung dürfen nur originale Ersatzteile von VIDEOTEC verwendet werden.

Die Dichtung auswechseln und dabei darauf achten, sie korrekt im vorgesehenen Sitz einzufügen.

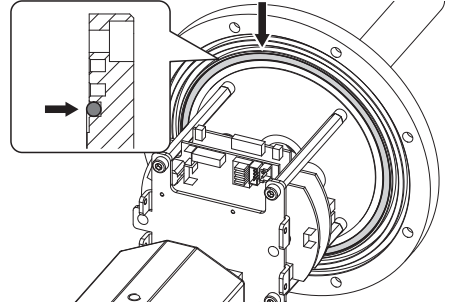


Abb. 25

12.4 Austausch des Wischerblatts

Bei den mit einem Scheibenwischer ausgestatteten Modellen können die abgenutzten Wischerblätter ausgetauscht werden.

Die Kapselmutter, mit der das Wischerblatt befestigt ist, lösen und entfernen. Das abgenutzte Wischerblatt mit einem Neuen ersetzen. Die Kapselmutter erneut positionieren. Dabei die Befestigung so vornehmen, bis das Wischerblatt richtig auf der Scheibe anliegt. Den Scheibenwischer betätigen, um die korrekte Einstellung des Wischerblatts zu überprüfen.

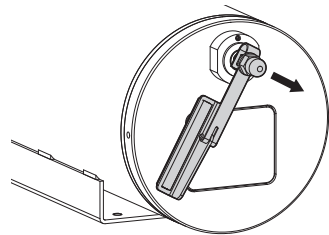


Abb. 26

13 Reinigung



Die Häufigkeit der Eingriffe hängt von der Umgebung ab, in der die Einheit verwendet wird.

13.1 Reinigung des Glases

Die Reinigung sollte mit Wasser oder einer anderen Reinigungsflüssigkeit, die keine Gefahrensituationen verursacht, durchgeführt werden.

13.2 Putzen des Germaniumfensters



Das Schutzgitter muss immer vorhanden sein, wenn die Einheit in Betrieb ist. Die Missachtung dieses Verbotes kann die Sicherheit des Personals und der Anlage stark gefährden und führt sie zum Verlust der Gewährleistungsrechte.



Zu vermeiden sind Äthylalkohol, Lösungsmittel, hydrierte Kohlenwasserstoffe, starke Säuren und alkalische Lösungen. Diese Produkte können die behandelte Oberfläche beschädigen.



Bei der Reinigung des Fensters ist darauf zu achten, dass die mit Carbon Coating behandelte Oberfläche nicht verkratzt oder gerillt wird. Wenn diese Beschichtung Schaden nimmt, besteht die Gefahr, dass die Durchlässigkeit der Oberfläche für Infrarotstrahlen beeinträchtigt wird.

Die Reinigung sollte mit einer milden Seife mit Wasser verdünnt erfolgen.

Das Schutzgitter entfernen, dazu die Schrauben und die Unterlegscheiben an der Vorderseite des Gehäuses mit einem funkensicherem Werkzeug lösen.

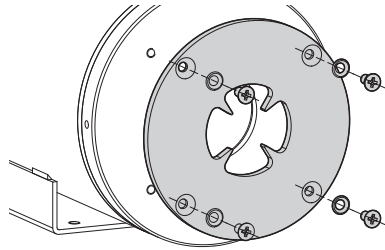


Abb. 27 Kleines Schutzgitter.

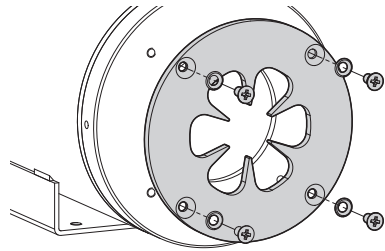


Abb. 28 Großes Schutzgitter.

Nach der Reinigung das Schutzgitter erneut mit den entsprechenden Schrauben und Unterlegscheiben montieren.

13.3 Reinigung des Produktes



Auf der Außenfläche des Produkts darf niemals eine Staubschicht von mehr als 5 mm liegen.

Die Reinigung muss mit einem feuchten Tuch ohne Zuhilfenahme von Druckluft vorgenommen werden.

14 Informationen bezüglich Entsorgung und Recycling

DE - Deutsch - Bedienungsanleitung

Die EU-Richtlinie 2012/19/EU über Elektro- und Elektronik-Altgeräte (WEEE) verpflichtet, dass diese Geräte nicht zusammenn mit festen Haushaltsabfällen entsorgt werden sollten. Diese besonderen Abfällen müssen separat gesammelt werden, um den Rückgewinnungsstrom und das Recycling der darin enthaltenen Materialien zu optimieren, sowie zur Minderung der Einwirkung auf die menschliche Gesundheit und Umwelt aufgrund des Vorhandenseins von potentiell gefährlichen Stoffen.



Das Symbol des gekreuzten Müllbehälters ist auf allen Produkten markiert, um sich daran zu erinnern.

Die Abfälle dürfen an die ausgewiesenen Müllsammelstellen gebracht werden. Andernfalls darf man es kostenlos an den Vertragshändler bringen, bei dem das Gerät gekauft wurde. Das kann beim Einkauf von neuen gleichartigen Produkten passieren oder auch ohne Verpflichtung eines Neukaufes, falls die Größe des Gerätes kleiner als 25 cm ist.

Mehr Informationen über die korrekte Entsorgung dieser Geräte erhalten Sie bei der entsprechenden Behörde.

15 Problemlösung



Kontaktieren Sie bitte das autorisierte Kundenzentrum bei jedem nicht beschriebenen Problem oder falls das aufgelistete Problem weiterhin bestehen sollte.

PROBLEM	Das Produkt lässt sich nicht einschalten.
URSACHE	Verkabelung fehlerhaft, Schaden an der Sicherung.
LÖSUNG	Anschlüsse prüfen. Die Kontinuität der Sicherung überprüfen und im Schadensfall mit dem angegebenen Modell austauschen.

PROBLEM	Der Scheibenwischer ist blockiert und reagiert nicht mehr auf Befehle.
URSACHE	Scheibenwischer blockiert oder defekt.
LÖSUNG	Sicherstellen, dass sich der Scheibenwischer ungehindert bewegen kann. Prüfen Sie, ob die Kabel des Scheibenwischers abgetrennt oder schadhaft sind.

16 Technische Daten

16.1 MAXIMUS MVX

16.1.1 Mechanik

Sonnenschutzdach

Vorinstallierter Wischer

Einheitsgewicht:

- 6kg (nur Gehäuse)
- 8.5kg (Gehäuse mit armiertem Mehrleiterkabel mit 4m Länge)
- 12kg (Gehäuse mit armiertem Mehrleiterkabel mit 10m Länge)

16.1.2 Kabelverschraubungen

Kabeleingang: 1 Loch, 3/4", NPT

Kabelschelle Ex db 3/4"NPT und mit 4m/10m vorinstallierten armierten Mehrleiterkabel oder mit 4m/10m Kabelsatz (für die Installation mit Leitung sind der Leitungshalter und die Leitung nicht beinhaltet)

16.1.3 Fenster für Gehäuse

Material: Thermisch gehärtetes Glas

- Abmessungen: 51x41mm
- Stärke: 12mm

16.1.4 Elektrik

Versorgungsspannung/Stromaufnahme (laufende Heizung, Ton 15°C±3°C, Toff 22°C±3°C):

- 24Vac ±10%, 2.2A, 50/60Hz
- 24Vdc ±5%, 2.2A
- 12Vdc ±5%, 3.5A

16.1.5 Netzwerk

Ethernet-Verbindung (nur für IP-Produktversionen): 10BASE-T/100BASE-T

Verbinder: RJ45

Kabellänge: 100m max

16.1.6 Seriellen Datenübertragungen

Serielle Schnittstelle

- Linie RS-485, half-duplex
- Kabellänge: 1200m max
- Adressierbare Einheiten: 255 (Konfiguration über OSM)

Serielles Kommunikationsprotokoll

- PANASONIC 850: 9600baud, 19200baud
- PELCO D: 2400baud, 9600baud
- VIDEOTEC MACRO: 9600baud, 38400baud

16.1.7 Video

Video-Encoder

- Kommunikationsprotokoll: ONVIF, Profil S
- Gerätekonfiguration: TCP/IPv4-IPv6, UDP/IPv4-IPv6, HTTP, NTP, DHCP, WS-DISCOVERY, QoS, IGMP (Multicast)
- Streaming: RTSP, RTCP, RTP/IPv4
- Video-Komprimierung: H.264/AVC, MJPEG
- Unabhängige Video-Streams: 2
- Bildauflösung: von Full D1 (720x576 für PAL, 720x480 für NTSC) auf 352x240 in 18 Schritten !da duplicazione!
- Webserver

16.1.8 I/O-Schnittstelle

I/O Alarm-Karte

- Alarmeingänge: 1
- Relais-Ausgänge: 1 (1A, 30Vac/60Vdc max)

Kabellänge: 200m max

Version mit integriertem Scheibenwischer

- Fern-Aktivierung des Scheibenwischers: 1 Eingang, potenzialfreier Kontakt NO

16.1.9 Kamera

Leistungsaufnahme (insgesamt, Videokamera und Optik)

- Ohne IP-Video-Encoder: 8W
- Mit IP-Video-Encoder: 6W

Mindestabstand zwischen der Kamera und dem Gehäusefenster: 4mm

Abmessungen der Kameras/Einsetzbare Objektive (WxHxL)

- Ohne Video-Encoder: 70x65x140mm
- Mit Video-Encoder: 70mmx65mmx120mm

16.1.10 Umgebung

Montage für den Innen- und Außenbereich

Betriebstemperatur:

- Kaltstart von -40°C bis zu +65°C
- In Betrieb von -50°C bis zu +65°C

Relative Luftfeuchtigkeit: von 10% bis zu 95% (keine Kondensation)

16.1.11 Zertifizierungen

ATEX (EN 60079-0: 2012, EN 60079-1: 2014, EN 60079-31: 2014)

- ⊕ II 2 G Ex db IIC T5 Gb
- ⊕ II 2 D Ex tb IIIC T100°C Db IP66/IP68
-60°C ≤ Ta ≤ +65°C
- ⊕ II 2 G Ex db IIC T5 Gb
- ⊕ II 2 D Ex tb IIIC T100°C Db IP66/IP68
-50°C ≤ Ta ≤ +65°C
- ⊕ II 2 G Ex db IIC T6 Gb
- ⊕ II 2 D Ex tb IIIC T85°C Db IP66/IP68
-60°C ≤ Ta ≤ +55°C
- ⊕ II 2 G Ex db IIC T6 Gb
- ⊕ II 2 D Ex tb IIIC T85°C Db IP66/IP68
-50°C ≤ Ta ≤ +55°C

IECEX (IEC 60079-0: 2011 Ed.6, IEC 60079-1: 2014-06 Ed.7, IEC 60079-31: 2013 Ed.2)

- Ex db IIC T5 Gb
- Ex tb IIIC T100°C Db IP66/IP68
-60°C ≤ Ta ≤ +65°C
- Ex db IIC T5 Gb
- Ex tb IIIC T100°C Db IP66/IP68
-50°C ≤ Ta ≤ +65°C
- Ex db IIC T6 Gb
- Ex tb IIIC T85°C Db IP66/IP68
-60°C ≤ Ta ≤ +55°C
- Ex db IIC T6 Gb
- Ex tb IIIC T85°C Db IP66/IP68
-50°C ≤ Ta ≤ +55°C

TYPE 6P, TYPE 4X (UL50E)

IP69 (EN/IEC60529), nur Gehäuse

IP66/IP67/IP68 (2 Stunden, 5m, EN/IEC60529)

16.2 MAXIMUS MVXT

16.2.1 Mechanik

Sonnenschutzdach

Einheitsgewicht:

- 6kg (nur Gehäuse)
- 8.5kg (Gehäuse mit armiertem Mehrleiterkabel mit 4m Länge)
- 12kg (Gehäuse mit armiertem Mehrleiterkabel mit 10m Länge)

16.2.2 Kabelverschraubungen

Kabeleingang: 1 Loch, 3/4", NPT

Kabelschelle Ex db 3/4"NPT und mit 4m/10m vorinstallierten armierten Mehrleiterkabel oder mit 4m/10m Kabelsatz (für die Installation mit Leitung sind der Leitungshalter und die Leitung nicht beinhaltet)

16.2.3 Fenster für Gehäuse

Fensterscheibe aus Germanium (großes Schutzgitter)

- Nutzdurchmesser: 57mm
- Stärke: 10mm
- Außenbehandlung: kratzfest (Hard Carbon Coating - DLC), entspiegelt
- Innenbehandlung: entspiegelt
- Spektralbereich: von 7.5µm bis zu 14µm
- Mittel Transmittanz (von 7.5µm bis zu 11.5µm): 87.3%
- Mittel Transmittanz (von 11.5µm bis zu 14µm): 67.3%

Fensterscheibe aus Germanium (kleines Schutzgitter)

- Nutzdurchmesser: 40mm
- Stärke: 8mm
- Außenbehandlung: kratzfest (Hard Carbon Coating - DLC), entspiegelt
- Innenbehandlung: entspiegelt
- Spektralbereich: von 7.5µm bis zu 14µm
- Mittel Transmittanz (von 7.5µm bis zu 11.5µm): 87.5%
- Mittel Transmittanz (von 11.5µm bis zu 14µm): 72.1%

16.2.4 Elektrik

Versorgungsspannung/Stromaufnahme (laufende Heizung, Ton 15°C±3°C, Toff 22°C±3°C):

- 24Vac ±10%, 2.2A, 50/60Hz
- 24Vdc ±5%, 2.2A
- 12Vdc ±5%, 3.5A

16.2.5 Netzwerk

Ethernet-Verbindung (nur für IP-Produktversionen): 10BASE-T/100BASE-T

Verbinder: RJ45

Kabellänge: 100m max

16.2.6 Seriellen Datenübertragungen

Serielle Schnittstelle

- Linie RS-485, half-duplex
- Kabellänge: 1200m max
- Adressierbare Einheiten: 255 (Konfiguration über OSM)

Serielles Kommunikationsprotokoll

- PANASONIC 850: 9600baud, 19200baud
- PELCO D: 2400baud, 9600baud
- VIDEOTEC MACRO: 9600baud, 38400baud

16.2.7 Video

i **Um das installierte Video-Encodermodell festzustellen, muss der auf dem Kennzeichnungsetikett vorhandene Produktcode mit der Kodierungstabelle verglichen werden (5 Produktschlüssel, Seite 14). Die Feststellung des Modells kann in der Spalte Ausgabe erfolgen (A oder B).**

Video-Encoder (Ausgabe A)

- Kommunikationsprotokoll: ONVIF, Profil S
- Gerätekonfiguration: TCP/IPv4-IPV6, UDP/IPv4-IPV6, HTTP, NTP, DHCP, WS-DISCOVERY, QoS, IGMP (Multicast)
- Streaming: RTSP, RTCP, RTP/IPv4
- Video-Komprimierung: H.264/AVC, MJPEG
- Unabhängige Video-Streams: 2
- Bildauflösung: von Full D1 (720x576 für PAL, 720x480 für NTSC) auf 352x240 in 18 Schritten !da duplicazione!
- Webserver

Video-Encoder (Ausgabe B)

- Kommunikationsprotokoll: ONVIF, Profil S und Profil Q
- Streaming: RTSP, RTCP, RTP/IPv4, Multicast
- Video-Komprimierung: H.264/AVC, MJPEG, MPEG4, JPEG
- Bis zu 3 gleichzeitige Videostreams
- Bildauflösung: von Full D1 (720x576 für PAL, 720x480 für NTSC) auf 352x240 in 18 Schritten 1da duplicazione!
- Wählbare Framerate von 1 bis 60 Bilder pro Sekunde
- Webserver

16.2.8 I/O-Schnittstelle

I/O Alarm-Karte

- Alarめingänge: 1
- Relais-Ausgänge: 1 (1A, 30Vac/60Vdc max)

Kabellänge: 200m max

16.2.9 Kamera

Leistungsaufnahme (insgesamt, Videokamera und Optik)

- Ohne IP-Video-Encoder: 8W
- Mit IP-Video-Encoder: 6W

Mindestabstand zwischen der Kamera und dem Gehäusefenster: 4mm

Abmessungen der Kameras/Einsetzbare Objektive (WxHxL)

- Ohne Video-Encoder: 70x65x140mm
- Mit Video-Encoder: 70mmx65mmx120mm

16.2.10 Umgebung

Montage für den Innen- und Außenbereich

Betriebstemperatur:

- Kaltstart von -40°C bis zu +65°C
- In Betrieb von -50°C bis zu +65°C

Relative Luftfeuchtigkeit: von 10% bis zu 95% (keine Kondensation)

16.2.11 Zertifizierungen

ATEX (EN 60079-0: 2012, EN 60079-1: 2014, EN 60079-31: 2014)

- ⊕ II 2 G Ex db IIC T5 Gb
- ⊕ II 2 D Ex tb IIIC T100°C Db IP66/IP68
-60°C ≤ Ta ≤ +65°C
- ⊕ II 2 G Ex db IIC T5 Gb
- ⊕ II 2 D Ex tb IIIC T100°C Db IP66/IP68
-50°C ≤ Ta ≤ +65°C
- ⊕ II 2 G Ex db IIC T6 Gb
- ⊕ II 2 D Ex tb IIIC T85°C Db IP66/IP68
-60°C ≤ Ta ≤ +55°C
- ⊕ II 2 G Ex db IIC T6 Gb
- ⊕ II 2 D Ex tb IIIC T85°C Db IP66/IP68
-50°C ≤ Ta ≤ +55°C

IECEx (IEC 60079-0: 2011 Ed.6, IEC 60079-1: 2014-06 Ed.7, IEC 60079-31: 2013 Ed.2)

- Ex db IIC T5 Gb
- Ex tb IIIC T100°C Db IP66/IP68
-60°C ≤ Ta ≤ +65°C
- Ex db IIC T5 Gb
- Ex tb IIIC T100°C Db IP66/IP68
-50°C ≤ Ta ≤ +65°C
- Ex db IIC T6 Gb
- Ex tb IIIC T85°C Db IP66/IP68
-60°C ≤ Ta ≤ +55°C
- Ex db IIC T6 Gb
- Ex tb IIIC T85°C Db IP66/IP68
-50°C ≤ Ta ≤ +55°C

TYPE 6P, TYPE 4X (UL50E)

IP69 (EN/IEC60529), nur Gehäuse

IP66/IP67/IP68 (2 Stunden, 5m, EN/IEC60529)

16.3 MAXIMUS MVXHD

16.3.1 Mechanik

Sonnenschutzdach

Vorinstallierter Wischer

Einheitsgewicht:

- 6kg (nur Gehäuse)
- 8.5kg (Gehäuse mit armiertem Mehrleiterkabel mit 4m Länge)
- 12kg (Gehäuse mit armiertem Mehrleiterkabel mit 10m Länge)

16.3.2 Kabelverschraubungen

Kabeleingang: 1 Loch, 3/4", NPT

Kabelschelle Ex db 3/4"NPT und mit 4m/10m vorinstallierten armierten Mehrleiterkabel oder mit 4m/10m Kabelsatz (für die Installation mit Leitung sind der Leitungshalter und die Leitung nicht beinhaltet)

16.3.3 Fenster für Gehäuse

Material: Thermisch gehärtetes Glas

Abmessungen: 51x41mm

Stärke: 12mm

16.3.4 Elektrik

Versorgungsspannung/Stromaufnahme (laufende Heizung, Ton 15°C±3°C, Toff 22°C±3°C):

- 24Vac ±10%, 2.2A, 50/60Hz
- 24Vdc ±5%, 2.2A
- 12Vdc ±5%, 3.5A

16.3.5 Video



Um das installierte Video-Encodermodell festzustellen, muss der auf dem Kennzeichnungsetikett vorhandene Produktcode mit der Kodierungstabelle verglichen werden (5 Produktschlüssel, Seite 14). Die Feststellung des Modells kann in der Spalte Ausgabe erfolgen (A oder B).

Video-Encoder (Ausgabe A)

- Kommunikationsprotokoll: ONVIF, Profil S
- Gerätekonfiguration: TCP/IPv4-IPv6, UDP/IPv4-IPv6, HTTP, HTTPS, NTP, DHCP, WSDISCOVERY, QoS, DSCP, IGMP (Multicast), SOAP, DNS, SNMP
- Streaming: RTSP, RTCP, RTP/IPv4, Multicast
- Video-Komprimierung: H.264/AVC, MJPEG
- 2 unabhängige Video-Streams Full HD oder 4 unabhängige Video-Streams je nach Konfiguration
- Bildauflösung: von FullHD auf 352x240 in 18 Schritten
- Wählbare Framerate von 1 bis 60 Bilder pro Sekunde
- Webserver
- Motion Detection

Video-Encoder (Ausgabe B)

- Kommunikationsprotokoll: ONVIF, Profil S und Profil Q
- Gerätekonfiguration: TCP/IPv4-IPv6, UDP/IPv4-IPv6, HTTP, HTTPS, NTP, DHCP, WS-DISCOVERY, DSCP, IGMP (Multicast), SOAP, DNS
- Streaming: RTSP, RTCP, RTP/IPv4, HTTP, Multicast
- Video-Komprimierung: H.264/AVC, MJPEG, JPEG, MPEG4
- 3 unabhängige Video-Streams Full HD
- Bildauflösung: von 320x180 bis zu 1920x1080 in 6 Schritten
- Wählbare Framerate von 1 bis 60 Bilder pro Sekunde
- Webserver
- Motion Detection

16.3.6 Netzwerk

Ethernet-Verbindung

- Video-Encoder A: 10BASE-T/100BASE-T
- Video-Encoder B: 100BASE-TX

Verbindertyp: RJ45

Kabellänge: 100m max

16.3.7 I/O-Schnittstelle

I/O Alarm-Karte

- Alarmeingänge: 1
- Relais-Ausgänge: 1 (1A, 30Vac/60Vdc max)

Kabellänge: 200m max

16.3.8 Kamera

Leistungsaufnahme (insgesamt, Videokamera und Optik)

- Ohne IP-Video-Encoder: 8W
- Mit IP-Video-Encoder: 6W

Mindestabstand zwischen der Kamera und dem Gehäusefenster: 4mm

Abmessungen der Kameras/Einsetzbare Objektive (WxHxL)

- Ohne Video-Encoder: 70x65x140mm
- Mit Video-Encoder: 70mmx65mmx100mm

16.3.9 Umgebung

Montage für den Innen- und Außenbereich

Betriebstemperatur:

- Kaltstart von -40°C bis zu +65°C
- In Betrieb von -50°C bis zu +65°C

Relative Luftfeuchtigkeit: von 10% bis zu 95% (keine Kondensation)

16.3.10 Zertifizierungen

ATEX (EN 60079-0: 2012, EN 60079-1: 2014, EN 60079-31: 2014)

- ⊕ II 2 G Ex db IIC T5 Gb
- ⊕ II 2 D Ex tb IIIC T100°C Db IP66/IP68
-60°C ≤ Ta ≤ +65°C
- ⊕ II 2 G Ex db IIC T5 Gb
- ⊕ II 2 D Ex tb IIIC T100°C Db IP66/IP68
-50°C ≤ Ta ≤ +65°C
- ⊕ II 2 G Ex db IIC T6 Gb
- ⊕ II 2 D Ex tb IIIC T85°C Db IP66/IP68
-60°C ≤ Ta ≤ +55°C
- ⊕ II 2 G Ex db IIC T6 Gb
- ⊕ II 2 D Ex tb IIIC T85°C Db IP66/IP68
-50°C ≤ Ta ≤ +55°C

IECEX (IEC 60079-0: 2011 Ed.6, IEC 60079-1: 2014-06 Ed.7, IEC 60079-31: 2013 Ed.2)

- Ex db IIC T5 Gb
- Ex tb IIIC T100°C Db IP66/IP68
-60°C ≤ Ta ≤ +65°C
- Ex db IIC T5 Gb
- Ex tb IIIC T100°C Db IP66/IP68
-50°C ≤ Ta ≤ +65°C
- Ex db IIC T6 Gb
- Ex tb IIIC T85°C Db IP66/IP68
-60°C ≤ Ta ≤ +55°C
- Ex db IIC T6 Gb
- Ex tb IIIC T85°C Db IP66/IP68
-50°C ≤ Ta ≤ +55°C

TYPE 6P, TYPE 4X (UL50E)

IP69 (EN/IEC60529), nur Gehäuse

IP66/IP67/IP68 (2 Stunden, 5m, EN/IEC60529)

17 Technische Zeichnungen

i Die Maße sind in Millimetern angegeben.

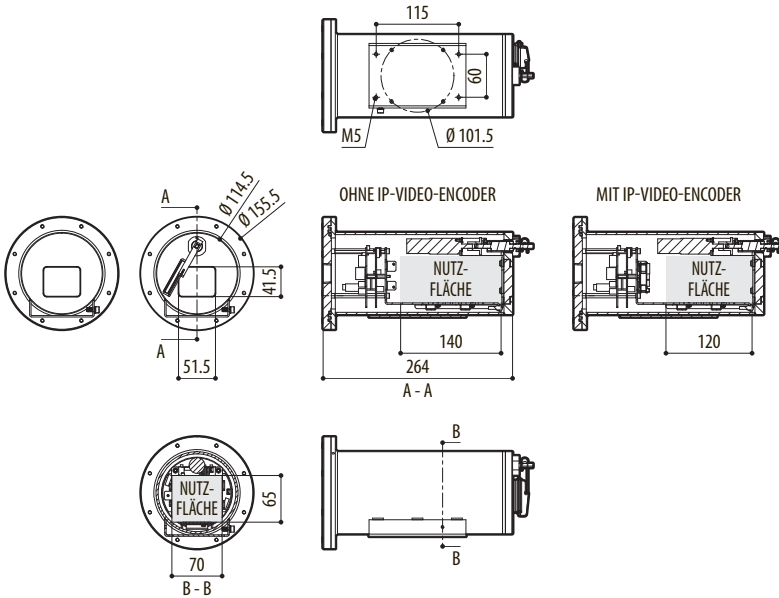


Abb. 29 MAXIMUS MVX.

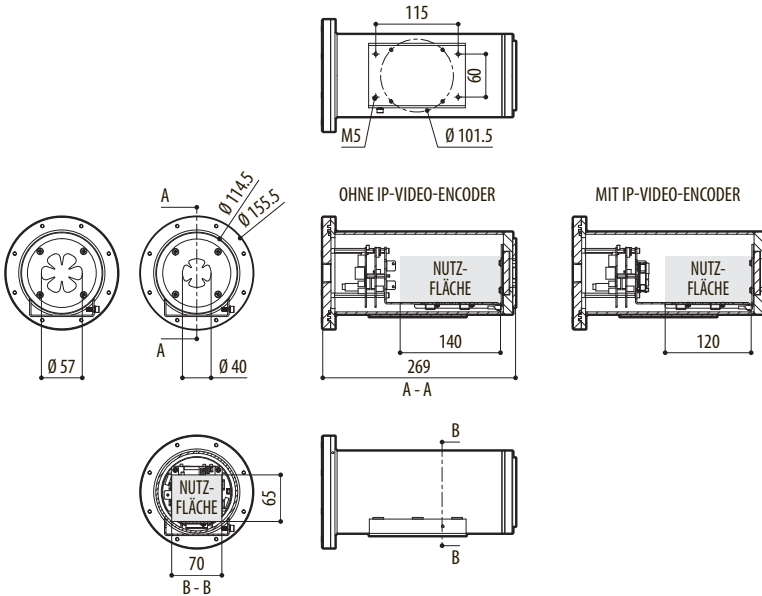


Abb. 30 MAXIMUS MVXT.

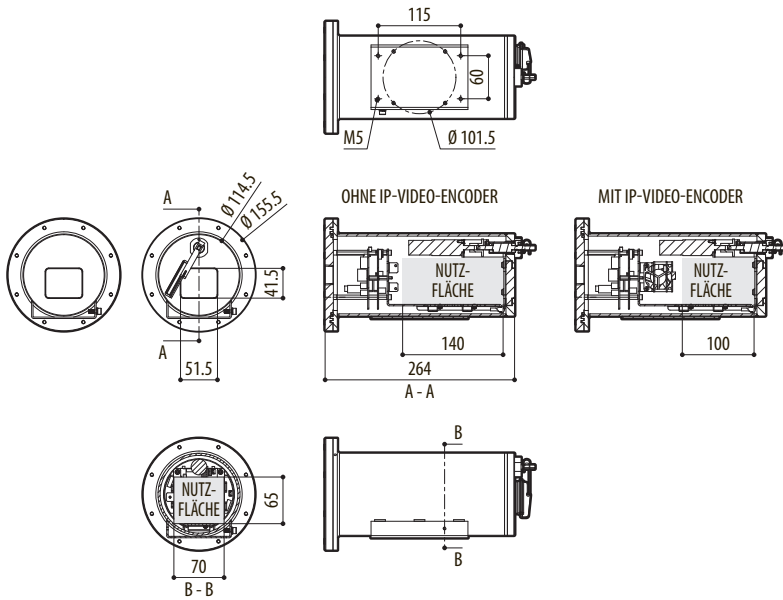


Abb. 31 MAXIMUS MVXHD.

Headquarters Italy Videotec S.p.A.
Via Friuli, 6 - I-36015 Schio (VI) - Italy
Tel. +39 0445 697411 - Fax +39 0445 697414
Email: info@videotec.com

Asia Pacific Videotec (HK) Ltd
Flat 8, 19/F. On Dak Industrial Building, No. 2-6 Wah Sing Street
Kwai Chung, New Territories - Hong Kong
Tel. +852 2333 0601 - Fax +852 2311 0026
Email: info.hk@videotec.com

France Videotec France SARL
Immeuble Le Montreal, 19bis Avenue du Québec, ZA de Courtaoœur
91140 Villebon sur Yvette - France
Tel. +33 1 60491816 - Fax +33 1 69284736
Email: info.fr@videotec.com

Americas Videotec Security, Inc.
Gateway Industrial Park, 35 Gateway Drive, Suite 100
Plattsburgh, NY 12901 - U.S.A.
Tel. +1 518 825 0020 - Fax +1 518 825 0022
Email: info.usa@videotec.com



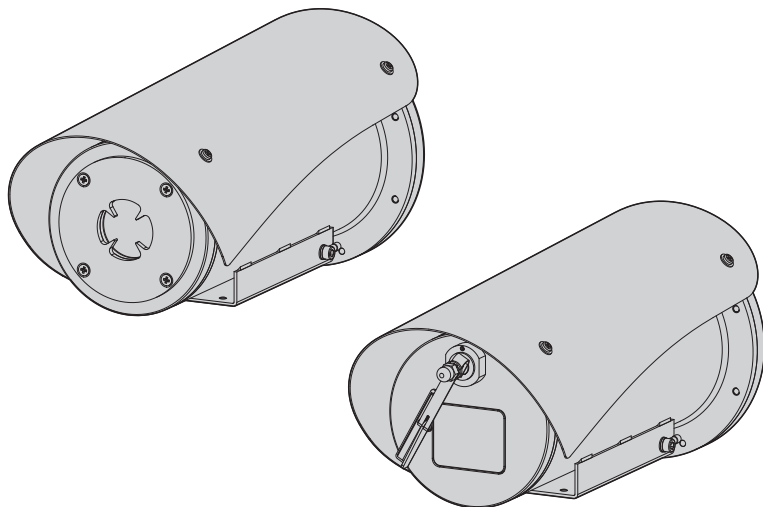
www.videotec.com
MNVCMVXTHD_1813_DE



MAXIMUS MVX, MAXIMUS MVXT, MAXIMUS MVXHD

Взрывобезопасный кожух из нержавеющей стали

СПРАВОЧНИК А



Комплект оборудования

1 О настоящем руководстве.....	7
1.1 Типографские условные обозначения.....	7
2 Примечания в отношении авторского права и информация о торговых марках.....	7
3 Правила техники безопасности	7
3.1 Данные сертификата ATEX-IECEх.....	10
3.1.1 Температура.....	10
3.1.2 Характеристики устанавливаемых камер.....	10
3.1.3 Инструкции по установке	10
3.1.4 Инструкции по монтажу	11
3.1.5 Специальные условия безопасного использования	11
3.1.6 Дополнительная информация.....	11
4 Обозначение.....	11
4.1 Описание и обозначение типа устройства.....	11
4.2 Маркировка изделия	12
5 Код изделия	14
6 Модели	15
6.1 Закаленное стекло	15
6.2 Встроенный стеклоочиститель	15
6.3 Германиевое окно	15
7 Подготовка устройства к использованию	16
7.1 Меры безопасности, предпринимаемые перед началом эксплуатации	16
7.2 Распаковка	17
7.3 Комплект оборудования.....	17
7.4 Безопасная утилизация упаковочных материалов.....	17
7.5 Подготовительные работы перед установкой	17
7.5.1 Крепление к парпету	18
7.5.2 Крепление с помощью кронштейна	18
7.5.3 Крепление устройства к адаптеру для установки на стойке или адаптеру для установки на угол.....	19
7.5.3.1 Крепление с помощью адаптера для установки на стойке.....	19
7.5.3.2 Крепление с помощью адаптера для установки на угол.....	19
8 Монтаж	20
8.1 Область применения.....	20
8.2 Как открыть кожух.....	20
8.3 Описание платы управления.....	21
8.4 Описание платы разъемов	21
8.5 Установка камеры.....	22
8.6 Подключение камеры.....	22
9 Монтаж	23
9.1 Ввод кабелей.....	23
9.2 Подключение платы разъемов.....	24
9.2.1 Подключение линии питания	24


9.2.2	Подключение видеокабеля.....	25
9.2.2.1	Подключение видеокабеля (аналоговый выходной сигнал)	25
9.2.2.2	Подключение видеокабеля (Базовая модель IP-камеры)	25
9.2.2.3	Подключение видеокабеля (цифровой выходной сигнал)	25
9.2.3	Подключение сигнального кабеля	25
9.2.3.1	Подключение последовательной линии	25
9.2.3.2	Подключение реле.....	26
9.2.3.3	Подключение стеклоочистителя.....	26
9.3	Подключение заземления	26
9.4	Закрывание кожуха	27
9.5	Установка солнцезащитного козырька.....	27
10	Инструкции по безопасной эксплуатации.....	28
10.1	Безопасная эксплуатация	28
10.1.1	Ввод в эксплуатацию.....	28
10.1.2	Правила техники безопасности.....	28
10.1.3	Правила обеспечения взрывобезопасности.....	28
11	Включение	29
11.1	Меры, принимаемые до включения питания устройства во взрывоопасной атмосфере	29
12	Техническое обслуживание	29
12.1	Замена предохранителей	30
12.2	Замена направляющей	30
12.3	Замена прокладки задней крышки	30
12.4	Замена щетки стеклоочистителя.....	30
13	Очистка.....	31
13.1	Очистка стекла.....	31
13.2	Очистка германиевого окна.....	31
13.3	Очистка устройства	31
14	Информация об утилизации и переработке.....	32
15	Поиск и устранение неисправностей	32
16	Технические характеристики	33
16.1	MAXIMUS MVX	33
16.1.1	Механические характеристики	33
16.1.2	Кабельные муфты.....	33
16.1.3	Окно кожуха.....	33
16.1.4	Электрические характеристики.....	33
16.1.5	Сеть	33
16.1.6	Последовательная связь.....	33
16.1.7	Видео.....	33
16.1.8	Интерфейс ввода-вывода	33
16.1.9	Камеры.....	34
16.1.10	Окружающая среда	34
16.1.11	Сертификаты.....	34
16.2	MAXIMUS MVXT.....	35
16.2.1	Механические характеристики	35
16.2.2	Кабельные муфты.....	35
16.2.3	Окно кожуха.....	35


16.2.4 Электрические характеристики	35
16.2.5 Сеть	35
16.2.6 Последовательная связь	35
16.2.7 Видео	35
16.2.8 Интерфейс ввода-вывода	36
16.2.9 Камеры	36
16.2.10 Окружающая среда	36
16.2.11 Сертификаты	36
16.3 MAXIMUS MVXHD	37
16.3.1 Механические характеристики	37
16.3.2 Кабельные муфты	37
16.3.3 Окно кожуха	37
16.3.4 Электрические характеристики	37
16.3.5 Видео	37
16.3.6 Сеть	38
16.3.7 Интерфейс ввода-вывода	38
16.3.8 Камеры	38
16.3.9 Окружающая среда	38
16.3.10 Сертификаты	38
17 Технические чертежи	39


1 О настоящем руководстве


Внимательно ознакомьтесь со всей документацией, входящей в комплект поставки, перед тем как приступить к установке и эксплуатации данного оборудования. Всегда держите руководство под рукой, чтобы им можно было воспользоваться в будущем.

1.1 Типографские условные обозначения

 **ОПАСНОСТЬ!**
Опасность взрыва.
Внимательно прочитайте указания, чтобы избежать опасности взрыва.

 **ОПАСНОСТЬ!**
Высокий уровень опасности.
Риск поражения электрическим током. При отсутствии иных указаний отключите питание устройства, перед тем как приступить к выполнению любой операции.


 **ПРЕДУПРЕЖДЕНИЕ!**
Средний уровень опасности.
Данная операция крайне важна для обеспечения надлежащего функционирования системы. Внимательно ознакомьтесь с описанием процедуры и выполните ее в соответствии с приведенными указаниями.

 **INFO**
Описание характеристик системы.
Рекомендуем внимательно ознакомиться с содержанием этого раздела, для того чтобы понять следующие этапы.

2 Примечания в отношении авторского права и информация о торговых марках

Названия устройств или компаний, упоминаемые в настоящем документе, являются торговыми марками или зарегистрированными торговыми знаками соответствующих компаний.

3 Правила техники безопасности

 **ПРЕДУПРЕЖДЕНИЕ!** Внешние эквипотенциальные соединения выполняются через ушко с наружной стороны устройства. Не следует использовать ушко в качестве защитной клеммы.

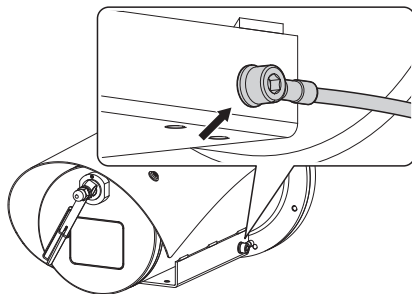






Рис. 1

 **ПРЕДУПРЕЖДЕНИЕ!** Система электропитания, к которой подключается устройство, должна быть оснащена двухполюсным автоматическим прерывателем цепи номинальным током 10А max. Минимальное расстояние между контактами автоматического выключателя цепи должно составлять 3mm. Выключатель цепи должен иметь защиту от тока КЗ на землю (дифференциальная защита) и защиту от перегрузки по току (термомагнитная защита).

 **ПРЕДУПРЕЖДЕНИЕ!** Система типа НТС-1 Это система типа НТС-1, не подключайте ее к СНБН-схемам.

 **ПРЕДУПРЕЖДЕНИЕ!** Установка и обслуживание устройства должны осуществляться только специализированным персоналом.

 **ПРЕДУПРЕЖДЕНИЕ!** Для обеспечения постоянной защиты от риска возгорания при замене предохранителей следует использовать предохранители того же типа и номинала. Только обслуживающий персонал может проводить замену предохранителей.



ПРЕДУПРЕЖДЕНИЕ! Данное устройство должно быть подключено к проводу заземления (защитное заземление). Подключение осуществляется только через внутренний разъем (J7, 8.4 Описание платы разъемов, страница 21 и 9.2.1 Подключение линии питания, страница 24).

- Прочитайте данное руководство.
- Сохраните данное руководство.
- Соблюдайте все меры предосторожности.
- Выполняйте все указания.
- Чтобы уменьшить риск возгорания, не открывайте устройство в потенциально взрывоопасной среде. Во время работы оборудование должно оставаться плотно закрытым.
- Установка данного оборудования должна осуществляться надлежащим образом подготовленным техническим персоналом в соответствии с действующим сводом правил IEC/EN60079-14.
- Температура поверхности устройства повышается, если оборудование находится под прямыми солнечными лучами. Температурный класс поверхности устройства определен только в соответствии с температурой окружающей среды без учета воздействия прямых солнечных лучей.
- Выбирайте место для установки, поверхность которого достаточно прочная и способна выдержать вес устройства, при этом необходимо помнить об особых факторах окружающей среды, например, воздействии сильного ветра.
- Поскольку пользователь самостоятельно выбирает поверхность, на которой будет закреплено устройство, мы не предоставляем крепежные приспособления для надежной фиксации оборудования на определенной поверхности. За выбор крепежных приспособлений, подходящих для соответствующей поверхности, отвечает установщик. Рекомендуется использовать методы и материалы, которые способны выдерживать вес, превышающий вес устройства минимум в 4 раза.
- Перед тем как включить питание, убедитесь в том, что устройство надежно зафиксировано.
- Установка оборудования, предназначенного для использования в зонах с ограниченным доступом, должна осуществляться только квалифицированным техническим персоналом.
- Развязка цепей обеспечивается внешними устройствами, например, защитным трансформатором и (или) изолированным источником питания постоянного тока.
- Для питания устройства используется защитный трансформатор и (или) изолированный источник питания постоянного тока, обладающий соответствующими характеристиками. Выходная мощность не должна превышать указанные ниже значения. Напряжение сети питания: 26.4Vac или 26.4Vdc max. Выходной ток: 5A max.
- Электрическая система оснащается выключателем питания, который можно легко найти и использовать в случае необходимости.
- Техническое обслуживание должно проводиться только уполномоченным техническим персоналом.
- Производитель не несет ответственности за любые повреждения, возникающие в результате неправильного использования указанного в настоящем руководстве оборудования. Помимо этого, производитель сохраняет за собой право изменять содержание руководства без предварительного уведомления. Представленная в настоящем руководстве документация прошла тщательную проверку. Однако производитель не несет ответственности за ее использование. Аналогичные условия предусмотрены в отношении любого лица или компании, привлеченных для составления и создания данного руководства.
- Перед тем, как приступить к выполнению любых операций, убедитесь в том, что источник питания устройства отключен.
- Не используйте кабели, которые кажутся изношенными или старыми.
- Никогда и ни при каких обстоятельствах не выполняйте изменений или подключений, не предусмотренных настоящим руководством. Ненадлежащее использование оборудования может привести к возникновению серьезных опасных ситуаций, угрожающих безопасности персонала и системы.
- Используйте только оригинальные запасные части. Неоригинальные запасные части могут привести к возникновению пожара, электрического разряда или другой опасной ситуации.
- Перед монтажом проверьте соответствие поставленных материалов спецификациям заказа, сверив идентификационные ярлыки (4.2 Маркировка изделия, страница 12).

- Это устройство разработано для подключения и установки на здании или подходящей конструкции на постоянной основе. Устройство следует надежно закрепить и подключить перед выполнением каких-либо работ.
- При установке устройства должны соблюдаться национальные правила.
- Электрическая система оснащается выключателем питания, который можно легко найти и использовать в случае необходимости.
- Это устройство Класса А. При установке в жилых помещениях данное устройство может вызывать радиопомехи. В таком случае пользователю может потребоваться предпринять соответствующие меры.
- Подключите устройство к источнику питания в соответствии с указаниями на этикетке с маркировкой. Перед тем как продолжить установку, убедитесь, что линия питания надлежащим образом изолирована. В случае устройств с номиналом 24Vac напряжение питания не должно превышать предельное значение ($\pm 10\%$). В случае устройств номиналом 12Vdc и 24Vdc напряжение питания не должно превышать предельного значения с допуском ($\pm 5\%$).
- В случае источников питания напряжением 24Vac необходимо обеспечить разделение с линией питания переменного тока с помощью двойной или армированной изоляции на участке между основной линией питания и вторичным контуром.
- Устройство следует подключать через соответствующий источник бесперебойного питания (ИБП) в целях компенсации кратковременной посадки напряжения или кратковременного нарушения электроснабжения.
- Выполняйте все операции по подключению, установке и техническому обслуживанию во взрывобезопасной атмосфере.
- Категория установки (также называемая категорией перенапряжения) указывает на уровень сетевых скачков напряжения, которым подвержено оборудование. Категория зависит от места размещения оборудования и наличия каких-либо устройств защиты от скачков напряжения. Оборудование, устанавливаемое на промышленном объекте и напрямую подключаемое к магистральным линиям сети питания, относится к категории установки III. В этом случае необходимо снизить категорию перенапряжения до II. Этого можно добиться путем использования изолирующего трансформатора с заземленным экраном между первичной и вторичной обмоткой или путем установки устройств защиты от скачков напряжения (УЗСН) на участке между фазой и нулем, а также нулем и землей. УЗСН должны обеспечивать многократное ограничение скачков напряжения и подходить для работы в следующих номинальных условиях: Тип 2 (УЗСН, постоянно подключаемые к сети питания и предназначенные для установки на стороне нагрузки вспомогательного оборудования); номинальный ток разряда (In) мин. 20 кА. Например, можно использовать: FERRAZ SHAWMUT, STT2240SPG-CN, STT2BL240SPG-CN с номиналом 120Vac/240Vac, (In=20кА). Максимальное расстояние между устройством и ограничителем перенапряжения составляет 5м.
- Модификации для рынков Норвегии и Швеции: При определенных обстоятельствах использование оборудования, подключенного к системе защитного заземления здания через сеть электропитания или другие устройства с соответствующим заземляющим соединителем (и к системе кабельного распределения с помощью коаксиального кабеля) может быть связано с риском возникновения пожара. Поэтому подключение к системе кабельного распределения должно выполняться через устройство, обеспечивающее электрическую изоляцию для определенного диапазона частот (гальванический изолятор, см. EN60728-11). В Норвегии и Швеции правилами монтажа систем кабельного распределения предусматривается использование гальванического изолятора, обеспечивающего электрическую изоляцию для частот ниже 5MHz. Электрическая прочность диэлектрической изоляции должна составлять 1,5 кВ (СКЗ) при частоте 50 Гц или 60 Гц в течение 1 минуты.
- Utstyr som er koplet til beskyttelsesjord via nettplugg og/eller via annet jordtilkoplet utstyr - og er tilkoplet et kabel-TV nett, kan forårsake brannfare. For å unngå dette skal det ved tilkopling av utstyret til kabel-TV nettet installeres en galvanisk isolator mellom utstyret og kabel-TV nettet.

3.1 Данные сертификата АТЕХ-IECEx

3.1.1 Температура

Ниже представлено соответствие значений температуры окружающей среды, группы газов и маркировки EX:

ЭЛЕМЕНТЫ МАРКИРОВКИ		
Температура окружающей среды	Маркировка АТЕХ	Маркировка IECEx
-60°C ≤ Ta ≤ +65°C	⊕ II 2 G Ex db IIC T5 Gb	Ex db IIC T5 Gb
-50°C ≤ Ta ≤ +65°C	⊕ II 2 D Ex tb IIIC T100°C Db IP66/IP68	Ex tb IIIC T100°C Db IP66/IP68
-60°C ≤ Ta ≤ +55°C	⊕ II 2 G Ex db IIC T6 Gb	Ex db IIC T6 Gb
-50°C ≤ Ta ≤ +55°C	⊕ II 2 D Ex tb IIIC T85°C Db IP66/IP68	Ex tb IIIC T85°C Db IP66/IP68

Табл. 1

3.1.2 Характеристики устанавливаемых камер

ХАРАКТЕРИСТИКИ УСТАНОВЛИВАЕМЫХ КАМЕР				
	Энергопотребление		Размеры (ШxВxD)	
Кожух	С IP-видеокодером	Без IP-видеокодера	С IP-видеокодером	Без IP-видеокодера
MVX	6W	8W	70mmx65mmx120mm	70mmx65mmx140mm
MVXT	6W	8W	70mmx65mmx120mm	70mmx65mmx140mm
MVXHD	6W	8W	70mmx65mmx100mm	70mmx65mmx140mm

Табл. 2

3.1.3 Инструкции по установке

Все кабельные соединители / муфты должны отвечать следующим требованиям: наличие сертификата АТЕХ/IECEx, тип взрывозащиты "db" и (или) "tb", степень защиты оболочки IP66/68, соответствие предусмотренным условиям эксплуатации, корректность установки.

В случае применения изоляционной трубки следует использовать заглушку, имеющую сертификацию АТЕХ/IECEx, тип защиты от взрыва "db" и/или "tb", IP66/IP68, соответствующую предусмотренным условиям применения и установленную как положено. Заглушка устанавливается на расстоянии не более 50mm от стенки корпуса устройства.

Неиспользуемые кабельные вводы должны быть закрыты специальными защитными пробками, отвечающими следующим требованиям: наличие сертификата АТЕХ/IECEx, тип взрывозащиты "db" и (или) "tb", степень защиты оболочки IP66/68, соответствие предусмотренным условиям эксплуатации, корректность установки.

При температуре окружающей среды ниже -10°C следует использовать внешнюю электропроводку, подходящую для применения в условиях низких температур.

Должны использоваться кабели, кабельные муфты, комплектующие или другие соединительные элементы, выдерживающие температуру выше: +80°C

3.1.4 Инструкции по монтажу



Кожух можно установить в любом положении.

3.1.5 Специальные условия безопасного использования

- Устанавливаемые телекамеры не должны содержать источников электромагнитного, лазерного и ультразвукового излучения, а также источников незатухающих колебаний.
- Устанавливаемые телекамеры не должны содержать гальванических элементов или аккумуляторов.
- Используемые камеры должны иметь простую геометрическую форму.
- Расстояние между камерой и внутренней поверхностью окна кожуха должно составлять: 4mm

3.1.6 Дополнительная информация

Устройство прошло испытание на защиту от проникновения пыли и воды в соответствии со стандартом EN/IEC60529: IP66, IP68.

4 Обозначение

4.1 Описание и обозначение типа устройства

Взрывозащищенные кожухи камер серии MAXIMUS MVX предназначены для установки телекамер, используемых в производственной среде, где может присутствовать взрывоопасная среда из газа, пара, тумана или смеси воздуха и пыли.

Кожухи камер серии MAXIMUS MVX изготавливаются из нержавеющей стали марки AISI 316L, прошедшей тонкую дробеструйную обработку.

В заднем фланце располагается внутренняя направляющая для установки телекамеры, а также внутренние электронные устройства для управления питанием и нагревательными элементами кожуха.

Ввод кабеля осуществляется через резьбовое отверстие 3/4" NPT, просверленное в нижней части задней крышки. Соединения выполняются в соответствии с требованиями стандарта IEC/EN60079-14.

Кожухи камер серии MAXIMUS MVX имеют степень защиты IP66/IP68 и могут использоваться в зонах со следующим диапазоном температур.

T5: от -60°C до +65°C или от -50°C до +65°C

T6: от -60°C до +55°C или от -50°C до +55°C

4.2 Маркировка изделия

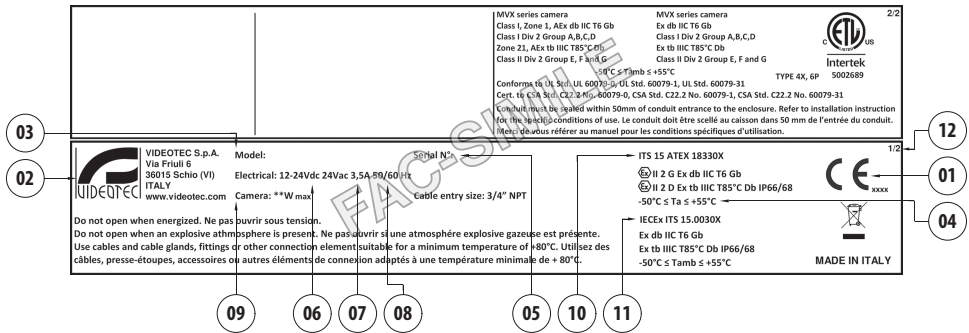


Рис. 2

1. Маркировка ЕС и номер уполномоченного органа, ответственного за выполнение производственного контроля.
2. Наименование и адрес производителя
3. Идентификационный код модели
4. Температура окружающей среды, соответствующая идентификационному коду модели
5. Серийный номер (вторая и третья цифра обозначают год изготовления)
6. Напряжение сети питания (V)
7. Потребляемый ток (A)
8. Частота (Гц)
9. Энергопотребление камеры / объектива (W)
10. Сертификат АТЕХ:
 - Номер сертификата АТЕХ
 - Классификация по типу зоны размещения, методу защиты и температурному классу, для которых допускается применение данного устройства согласно директиве АТЕХ

МАРКИРОВКА АТЕХ		
Температура окружающей среды	Маркировка группы газов	Маркировка группы пыли
-60°C to +65°C	Ⓜ II 2 G Ex db IIC T5 Gb	Ⓜ II 2 D Ex tb IIIC T100°C Db
-50°C to +65°C		
-60°C to +55°C	Ⓜ II 2 G Ex db IIC T6 Gb	Ⓜ II 2 D Ex tb IIIC T85°C Db
-50°C to +55°C		

Табл. 3

11. Сертификат IECEx:

- Номер сертификата IECEx
- Классификация по типу зоны размещения, методу защиты и температурному классу, для которых допускается применение данного устройства согласно стандарту IECEx

МАРКИРОВКА IECEx		
Температура окружающей среды	Маркировка группы газов	Маркировка группы пыли
-60°C to +65°C	Ex db IIC T5 Gb	Ex tb IIIC T100°C Db
-50°C to +65°C		
-60°C to +55°C	Ex db IIC T6 Gb	Ex tb IIIC T85°C Db
-50°C to +55°C		

Табл. 4

12. На кожухе могут присутствовать дополнительные этикетки с маркировкой согласно прочим сертификатам. Номера этикеток и подробная информация о маркировке будут приведены в дополнительном документе, предоставляемом вместе с изделием.

5 Код изделия

MAXIMUS MVX - КОД ИЗДЕЛИЯ									
	Напряжение		Камера	Комплектующие	Подключение	Выход видеосигнала	Модели	Версия	
MVX	2	12Vdc-24Vdc/24Vac	00 Без камеры	S Без комплектующих	0 Без кабеля, без кабельной муфты	0 Аналог	00 T5 -60°C/+65°C	A Первая версия	
			** Предустановленная камера	W Со стеклочистителем	* Соединительные устройства	Z IP H.264	01 T5 -50°C/+65°C		
							02 T6 -60°C/+55°C		
							03 T6 -50°C/+55°C		

Табл. 5

MAXIMUS MVXT - КОД ИЗДЕЛИЯ										
	Напряжение		Камера	Комплектующие	Подключение	Выход видеосигнала	Модели	Версия	Частота тепловой камеры	
MVXT	2	12Vdc-24Vdc/24Vac	00 Без камеры	S Без комплектующих	0 Без кабеля, без кабельной муфты	0 Аналог	00 T5 -60°C/+65°C	A Первая версия	Пусто 7.5-8.3Hz	
			** Предустановленная камера		* Соединительные устройства	Z IP H.264	01 T5 -50°C/+65°C	B Второе издание	H 25-30Hz	
							02 T6 -60°C/+55°C			
							03 T6 -50°C/+55°C			

Табл. 6

MAXIMUS MVXHD - КОД ИЗДЕЛИЯ									
	Напряжение		Камера	Комплектующие	Подключение	Выход видеосигнала	Модели	Версия	
MVXHD	2	12Vdc-24Vdc/24Vac	00 Без камеры	S Без комплектующих	0 Без кабеля, без кабельной муфты	0 Без видеокодера	00 T5 -60°C/+65°C	A Первая версия	
			** Предустановленная камера	W Со стеклочистителем	* Соединительные устройства	Z IP H.264	01 T5 -50°C/+65°C	B Второе издание	
							02 T6 -60°C/+55°C		
							03 T6 -50°C/+55°C		

Табл. 7

6 Модели

6.1 Закаленное стекло

Устройство может быть оснащено закаленным стеклом.

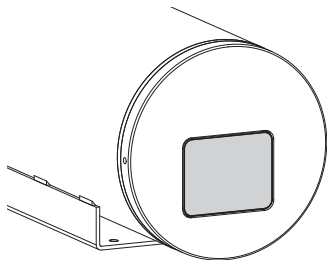


Рис. 3

6.2 Встроенный стеклоочиститель

Устройство может быть оснащено стеклоочистителем.

Управление встроенным стеклоочистителем осуществляется дистанционно с помощью пульта управления или сухого контакта.

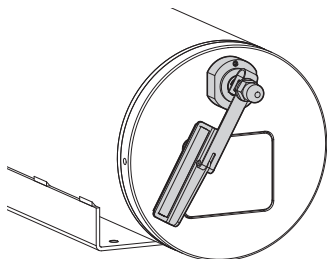


Рис. 4

6.3 Германиевое окно



При эксплуатации устройства необходимо всегда устанавливать защитную решетку. Несоблюдение настоящей инструкции может привести к возникновению серьезной угрозы для безопасности людей и установки, а также аннулирует гарантию.

Модель с германиевым окном была разработана для использования в сочетании с тепловизорами.

Данная модель оснащена защитной решеткой из нержавеющей стали марки AISI 316L.

В зависимости от выбранной камеры, можно установить германиевые окна двух различных размеров с соответствующими решетками.

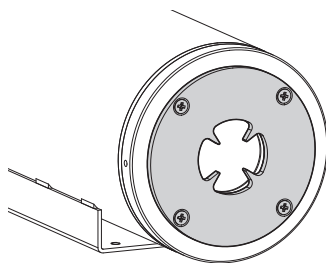


Рис. 5 Мелкая сетка.

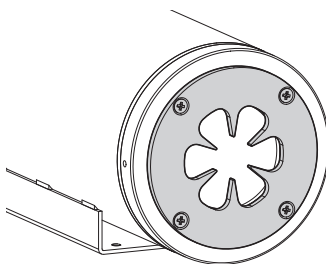


Рис. 6 Крупная сетка.

7 Подготовка устройства к использованию



Любое изменение, которое выполняется без разрешения, явным образом предоставленного производителем, аннулирует гарантии и сертификаты.

7.1 Меры безопасности, предпринимаемые перед началом эксплуатации



Убедитесь, что все оборудование сертифицировано для использования в тех условиях, в которых оно будет установлено.



Перед тем, как приступить к выполнению любых операций, убедитесь в том, что источник питания устройства отключен.



Электрическая система оснащается выключателем питания, который можно легко найти и использовать в случае необходимости.



Перед тем, как приступить к выполнению любых операций, убедитесь в том, что источник питания устройства отключен.



Перед установкой оборудования в месте эксплуатации выполните подключения и проведите испытания в лабораторных условиях. Для этой цели используйте подходящие инструменты.



Перед выполнением любой операции проверьте правильность значения напряжения сети питания.



Поскольку система имеет значительный вес, используйте соответствующее подъемно-транспортное оборудование. Подобные операции должен выполнять уполномоченный персонал в соответствии с общими правилами техники безопасности.

Если устройство подвергается воздействию агрессивных веществ, пользователь должен предпринять соответствующие меры, чтобы не допустить возникновения повреждений и отказа используемых защитных приспособлений.

- **Агрессивные вещества:** Кислотосодержащие жидкости или газы, вызывающие коррозию металлов, а также растворители, повреждающие полимерные материалы.
- **Надлежащие меры предосторожности:** Регулярные проверки в рамках планового технического обслуживания; подтверждение устойчивости материала к воздействию определенных химических веществ согласно паспорту безопасности.

Конечные пользователи обязаны убедиться в том, что используемые для создания устройства материалы подходят для планируемого места установки. При возникновении вопросов следует обратиться к производителю.

7.2 Распаковка

При получении устройства убедитесь, что упаковка не повреждена и не имеет явных признаков падения или царапин.

В случае наличия видимых повреждений незамедлительно свяжитесь с поставщиком.

В случае возврата неисправного устройства мы рекомендуем использовать оригинальную упаковку для транспортировки.

Сохраняйте упаковку на случай, если потребуется отправить устройство на ремонт.

7.3 Комплект оборудования

Проверьте комплект оборудования на соответствие представленному ниже списку материалов:

- Взрывобезопасный кожух
- Прокладка и винты для крепления солнцезащитного козырька
- Документация
- Кабельная стяжка
- Силиконовая оболочка
- Комплект запасных уплотнительных колец
- Руководства по эксплуатации
- Солнцезащитный козырек
- Болты и винты (сборка кронштейна)

7.4 Безопасная утилизация упаковочных материалов

Упаковочные материалы могут подвергаться переработке. Технический специалист установщика отвечает за сортировку материалов для переработки, а также за соблюдение требований законодательства, действующего в месте установки устройства.

7.5 Подготовительные работы перед установкой



Для установки используйте подходящие инструменты. Особый характер места установки устройства может потребовать использования специальных инструментов.



Монтажник должен обеспечить целостность цепи заземления на участке между устройством и системой.



Выбирайте место для установки, поверхность которого достаточно прочная и способна выдержать вес устройства, при этом необходимо помнить об особых факторах окружающей среды, например, воздействии сильного ветра.



Перед тем как включить питание, убедитесь в том, что устройство надежно зафиксировано.



ПРЕДУПРЕЖДЕНИЕ! Установка и обслуживание устройства должны осуществляться только специализированным персоналом.



Техническое обслуживание должно проводиться только уполномоченным техническим персоналом.



Поскольку пользователь самостоятельно выбирает поверхность, на которой будет закреплено устройство, мы не предоставляем крепежные приспособления для надежной фиксации оборудования на определенной поверхности. За выбор крепежных приспособлений, подходящих для соответствующей поверхности, отвечает установщик. Как правило, рекомендуется использовать способы установки и материалы, которые способны выдерживать вес, превышающий вес устройства минимум в 4 раза.

Устройство может быть установлено с помощью нескольких кронштейнов.

При установке настоятельно рекомендуется использовать только разрешенные кронштейны и комплектующие.

7.5.1 Крепление к парапету

Сначала закрепите основание адаптера в точке установки. Используйте винты, которые способны удерживать вес, превышающий вес устройства не менее чем в 4 раза.

Нанесите на поверхность толстый слой герметика для резьбовых соединений (Loctite 270).

Затяните винты.

Оставьте герметик застывать в течение одного часа; не забудьте выждать указанное количество времени до завершения установки.

Основание (01) можно закрепить на цилиндрическом адаптере NXFWBT с помощью 4 включенных в комплект оборудования винтов с потайной головкой (02).

Зафиксируйте муфту (03) на основании с помощью входящих в комплект оборудования гаек и шайб.

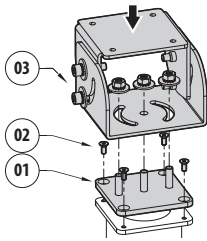


Рис. 7

Закрепите кожух в месте соединения с помощью включенных в комплект оборудования винтов и шайб.

Нанесите на поверхность толстый слой герметика для резьбовых соединений (Loctite 270).

Затяните винты.

⚠ Будьте внимательны при монтаже. Момент затяжки: От 6Nm до 8Nm.

Оставьте герметик застывать в течение одного часа; не забудьте выждать указанное количество времени до завершения установки.

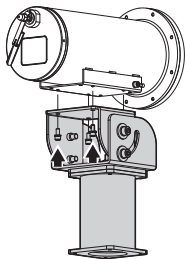


Рис. 8

7.5.2 Крепление с помощью кронштейна

Кронштейн может быть закреплен на вертикальной стене. Используйте винты и приспособления для крепления на стене, которые способны выдержать вес, превышающий вес устройства не менее чем в 4 раза.

Для крепления устройства к кронштейну используйте предоставленные 4 плоские шайбы, 4 пружинные шайбы из нержавеющей стали и 4 винтами из нержавеющей стали с головкой с углублением под ключ.

Убедитесь, что на резьбе нет грязи.

Нанесите на поверхность 4 винтов толстый слой герметика для резьбовых соединений (Loctite 270).

Затяните винты.

Оставьте герметик застывать в течение одного часа; не забудьте выждать указанное количество времени до завершения установки.

⚠ Будьте внимательны при монтаже. Момент затяжки: От 6Nm до 8Nm.

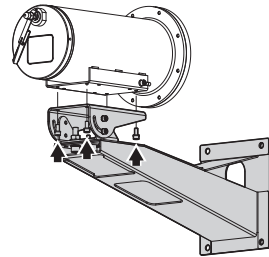


Рис. 9

7.5.3 Крепление устройства к адаптеру для установки на стойке или адаптеру для установки на угол

Перед тем как установить устройство на стойку или на угол стены, необходимо закрепить его на настенном кронштейне (7.5.2 Крепление с помощью кронштейна, страница 18).

7.5.3.1 Крепление с помощью адаптера для установки на стойке

Закрепите настенный кронштейн на адаптере для установки на стойке с помощью 4 шайб, 4 пружинных шайб из нержавеющей стали и 4 болтов с шестигранной головкой из нержавеющей стали (A4 класса 70) M10x30mm.

Убедитесь, что на резьбе нет грязи.

Нанесите большое количество герметика для резьбовых соединений (Loctite 270) на 4 резьбовых отверстия адаптера для установки на стойке.

Затяните винты.

⚠ Будьте внимательны при монтаже. Момент затяжки: 35Nm.

Оставьте герметик застывать в течение одного часа; не забудьте выждать указанное количество времени до завершения установки.

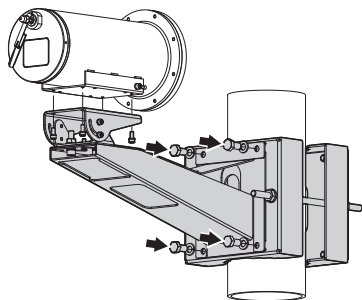


Рис. 10

7.5.3.2 Крепление с помощью адаптера для установки на угол

Закрепите настенный кронштейн на адаптере для установки на угол с помощью 4 шайб, 4 пружинных шайб из нержавеющей стали и 4 болтов с шестигранной головкой из нержавеющей стали (A4 класса 70) M10x30mm.

Убедитесь, что на резьбе нет грязи.

Нанесите большое количество герметика для резьбовых соединений (Loctite 270) на 4 резьбовых отверстия адаптера для установки на угол.

Затяните винты.

⚠ Будьте внимательны при монтаже. Момент затяжки: 35Nm.

Оставьте герметик застывать в течение одного часа; не забудьте выждать указанное количество времени до завершения установки.

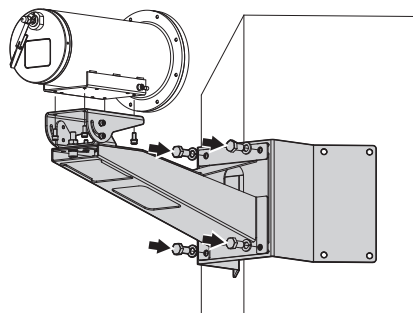


Рис. 11

8 Монтаж



Выполняйте все операции по подключению, установке и техническому обслуживанию во взрывобезопасной атмосфере.



Убедитесь, что все оборудование сертифицировано для использования в тех условиях, в которых оно будет установлено.



ПРЕДУПРЕЖДЕНИЕ! Система электропитания, к которой подключается устройство, должна быть оснащена двухполюсным автоматическим прерывателем цепи номинальным током 10А max. Минимальное расстояние между контактами автоматического выключателя цепи должно составлять 3mm. Выключатель цепи должен иметь защиту от тока КЗ на землю (дифференциальная защита) и защиту от перегрузки по току (термомагнитная защита).



Выполнять электрические подключения необходимо при отключенном источнике питания и разомкнутом выключателе сети.



Электрическая система оснащается выключателем питания, который можно легко найти и использовать в случае необходимости.



Не используйте кабели, которые кажутся изношенными или старыми.



ПРЕДУПРЕЖДЕНИЕ! Установка и обслуживание устройства должны осуществляться только специализированным персоналом.



При установке устройства должны соблюдаться национальные правила.



Кожух можно установить в любом положении.



Устанавливаемые телекамеры не должны содержать гальванических элементов или аккумуляторов.



VIDEOTEC настоятельно рекомендует проверить конфигурацию и эксплуатационные характеристики устройства перед его окончательной установкой в соответствующем месте.

8.1 Область применения

Устройство создано для работы в фиксированном положении и обеспечения наблюдения в зонах класса 1-21 или 2-22 с потенциально взрывоопасной средой.

Устройство изготовлено и сертифицировано в соответствии с директивой 2014/34/UE, а также международными стандартами IECEx, определяющими область его применения и минимальные требования безопасности.

8.2 Как открыть кожух



Соблюдайте осторожность во избежание повреждения взрывозащищенного соединения при открытии и закрытии устройства.

Для установки камеры необходимо открыть задний фланец кожуха.

Выкрутите винты, извлеките шайбы и снимите нижнюю часть кожуха.

Характеристики винтов

- Диаметр/Шаг резьбы винта: M5x0.8
- Материал: A4 Класс 70
- Головка винта: ISO 4762
- Длина: 12mm
- Предел текучести (мин.): 450N/mm²



Соблюдайте осторожность при открытии модели устройства со встроенным стеклоочистителем. Бережно извлеките направляющую во избежание повреждения соединений. Отсоедините разъемы, перед тем как полностью вынуть направляющую.

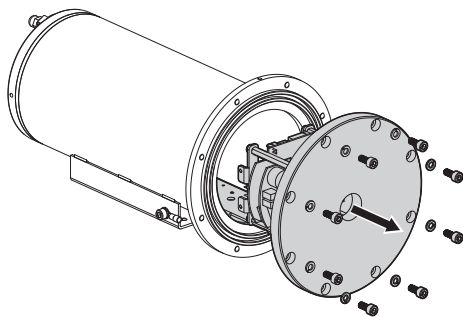


Рис. 12

8.3 Описание платы управления

ОПИСАНИЕ ПЛАТЫ	
Разъем/Клемма	Функция
J1	Линия электропитания/Видеосигнал (аналоговая камера)
J2	Датчики стеклоочистителя
J3	Реле и аварийный сигнал (камера)
J4	Линия электропитания (вентилятор)
J5	Линия электропитания (стеклоочиститель)
J6	Линия электропитания (камера)
DIP1	Настройка последовательной линии

Табл. 8

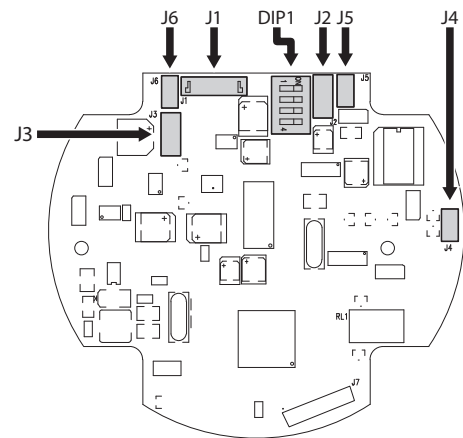


Рис. 13

8.4 Описание платы разъемов

ОПИСАНИЕ ПЛАТЫ	
Разъем/Клемма	Функция
J1	Выход видеосигнала (цифровой параметр)
J5	Выход видеосигнала (камера)
J6	Линия электропитания (IP-видеокодер)
J7	Линия электропитания (кожух)
J8	Выход видеосигнала (аналоговый)
J11	Реле, аварийные сигналы, последовательная линия, factory default
J12	Сигнальные кабели (IP-видеокодер)
J13	Питание камеры
FUS1	Предохранитель

Табл. 9

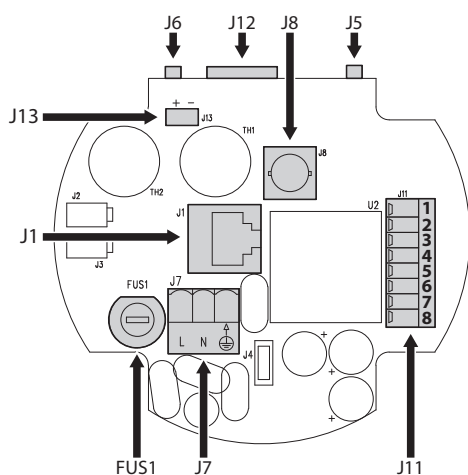


Рис. 14

8.5 Установка камеры

⚠ Устанавливаемые телекамеры не должны содержать гальванических элементов или аккумуляторов.

⚠ Дополнительная информация по устанавливаемым камерам приводится в соответствующей главе. (3.1.2 Характеристики устанавливаемых камер, страница 10).

Установите камеру/объектив на внутренней направляющей и отрегулируйте ее/его по высоте для обеспечения надлежащего обзора через окно.

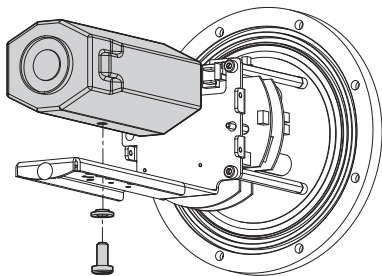


Рис. 15

Минимальный установочный зазор между камерой и окном/кожуха: 4mm (Камера устанавливается на расстоянии, равном расстоянию до кромки направляющей).

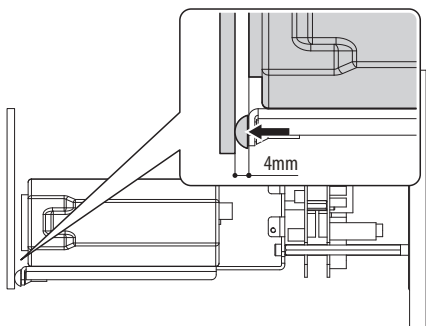


Рис. 16

8.6 Подключение камеры

ПОДКЛЮЧЕНИЕ КАМЕРЫ			
Модель	Источник питания	Видеосигнал	Линии связи
Базовая IP-модель	J13 (Плата разъемов)	Разъем камеры/ Прямое подключение к камере	—
Аналоговая модель/ Цифровая SD-модель	J1 (плата управления)	J1 (плата управления)	J1 (плата управления)
Цифровая HD-модель	J6 (плата управления)	J12 (Плата разъемов)	J12 (Плата разъемов)

Табл. 10

i В случае IP-модели кабель передачи видеосигнала подключается непосредственно к камере.

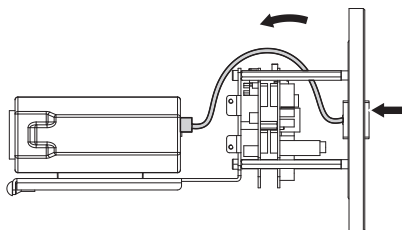


Рис. 17

9 Монтаж



Не открывайте устройство при включенном питании и эксплуатации во взрывоопасной атмосфере.



Выполняйте все операции по подключению, установке и техническому обслуживанию во взрывобезопасной атмосфере.



Убедитесь, что все оборудование сертифицировано для использования в тех условиях, в которых оно будет установлено.



ПРЕДУПРЕЖДЕНИЕ! Система электропитания, к которой подключается устройство, должна быть оснащена двухполюсным автоматическим прерывателем цепи номинальным током 10A max. Минимальное расстояние между контактами автоматического выключателя цепи должно составлять 3mm. Выключатель цепи должен иметь защиту от тока КЗ на землю (дифференциальная защита) и защиту от перегрузки по току (термомагнитная защита).



Выполнять электрические подключения необходимо при отключенном источнике питания и разомкнутом выключателе сети.



Электрическая система оснащается выключателем питания, который можно легко найти и использовать в случае необходимости.



Не используйте кабели, которые кажутся изношенными или старыми.



ПРЕДУПРЕЖДЕНИЕ! Установка и обслуживание устройства должны осуществляться только специализированным персоналом.



При установке устройства должны соблюдаться национальные правила.



Кожух можно установить в любом положении.



Все неподключенные провода должны быть изолированы.



Устанавливаемые телекамеры не должны содержать гальванических элементов или аккумуляторов.



VIDEOTEC настоятельно рекомендует проверить конфигурацию и эксплуатационные характеристики устройства перед его окончательной установкой в соответствующем месте.

9.1 Ввод кабелей

Соединения выполняются в соответствии с требованиями стандарта IEC/EN60079-14 в целях предотвращения распространения пламени или взрывной волны от устройства в кабельные каналы или от кабельной муфты во внешнюю среду.

Запрещается использовать одиночные кабели без оболочки, если они не установлены внутри трубопровода.


Все кабельные муфты должны отвечать следующим требованиям: наличие сертификата ATEX/IECEx, тип взрывозащиты "db" и (или) "tb", степень защиты оболочки IP66/68, соответствие предусмотренным условиям эксплуатации, корректность установки.


На участке между корпусом и безопасной зоной необходимо установить прорезиненную деталь (защитную кабельную муфту или заглушку).


В случае применения изоляционной трубки следует использовать заглушку, имеющую сертификацию ATEX/IECEx, тип защиты от взрыва "db" и/или "tb", IP66/IP68, соответствующую предусмотренным условиям применения и установленную как положено. Заглушка устанавливается на расстоянии не более 50mm от стенки корпуса устройства.


9.2 Подключение платы разъемов


9.2.1 Подключение линии питания

 Выполнять электрические подключения необходимо при отключенном источнике питания и разомкнутом выключателе сети.

 Перед началом монтажа убедитесь в том, что характеристики источника питания соответствуют характеристикам устройства.

 **ПРЕДУПРЕЖДЕНИЕ!** Система типа НТС-1 Это система типа НТС-1, не подключайте ее к СНБН-схемам.

 Проверьте соответствие размеров гнезда питания и кабеля.

 Для подключения защитного заземления используйте кабели с подходящим сечением: 2.5mm^2 (13AWG).




ПОДКЛЮЧЕНИЕ ЛИНИИ ПИТАНИЯ	
Цвет	Клеммы
Источник питания 24Vac/24Vdc/12Vdc	
Определяется установщиком	~/+
Определяется установщиком	~/-
Желтый/Зеленый	

Табл. 11

Подключите силовые кабели к гнезду питания на плате разъемов; соблюдайте осторожность при креплении кабеля заземления (J7, 8.4 Описание платы разъемов, страница 21).

 Кабель заземления должен быть длиннее двух других кабелей примерно на 10мм, чтобы предотвратить его случайное отсоединение при натягивании.

 Силовой кабель необходимо закрыть силиконовой оболочкой (01), входящей в комплект оборудования. Силиконовая оболочка крепится с помощью соответствующей кабельной стяжки (02).

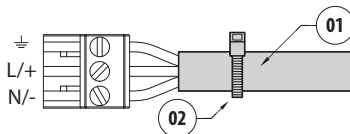


Рис. 18

Не превышайте допустимое значение длины силового кабеля, указанное в следующей таблице, в зависимости от типа источника питания.

СПЕЦИФИКАЦИИ НА КАБЕЛИ		
Сечение кабеля	Напряжение сети питания	Максимальная длина кабеля
1mm ² (17AWG)	12Vdc	5m
	24Vdc	15m
	24Vac	30m
1.5mm ² (16AWG)	12Vdc	7m
	24Vdc	25m
	24Vac	45m
2.5mm ² (13AWG)	12Vdc	15m
	24Vdc	40m
	24Vac	80m

Табл. 12

9.2.2 Подключение видеокабеля



ПРЕДУПРЕЖДЕНИЕ! В целях снижения риска возникновения пожара используйте кабели сечением не менее $0,14\text{mm}^2$ (26AWG).

Мы рекомендуем использовать следующие коаксиальные кабели:

- RG59
- RG174A/U UL1354

Настоятельно рекомендуется использовать Ethernet-кабели со следующими характеристиками:

- STP (экранированный)
- Категория 5E (или выше)

9.2.2.1 Подключение видеокабеля (аналоговый выходной сигнал)

Видеокабель, идущий от кожуха камеры, необходимо подключить к аналоговому видеовыходу (J8, 8.4 Описание платы разъемов, страница 21).

9.2.2.2 Подключение видеокабеля (Базовая модель IP-камеры)



Не подключайте кабель RS-485 и видеокабель при использовании IP-камеры.

Кабель сети Ethernet, идущий от кожуха камеры, необходимо подключить непосредственно к базовой модели IP-камеры.

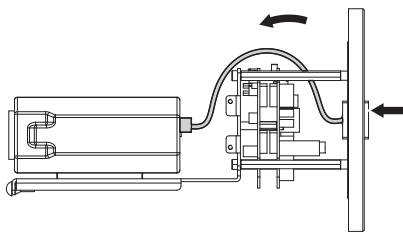


Рис. 19

9.2.2.3 Подключение видеокабеля (цифровой выходной сигнал)



Не подключайте кабель RS-485 и видеокабель при использовании IP-камеры.

Кабель сети Ethernet, идущий от кожуха камеры, необходимо подключить к цифровому видеовыходу (J1, 8.4 Описание платы разъемов, страница 21).

9.2.3 Подключение сигнального кабеля



ПРЕДУПРЕЖДЕНИЕ! Система типа НТС-1 Это система типа НТС-1, не подключайте ее к СНБН-схемам.



Используйте экранированный многожильный кабель. Подключите оплетку кабеля к клемме 8 (J11, Табл. 13, страница 25).

Кабели выходных сигналов необходимо подключить к разъемам реле, аварийных сигналов, последовательной линии и возврата к заводским настройкам (J11, 8.4 Описание платы разъемов, страница 21).

ОПИСАНИЕ КЛЕММ (J11)	
Контакты клемм	Функция
1	RS-485 A (+)
2	RS-485 B (-)
3	Реле 1, Клемма А
4	Реле 1, Клемма В
5	Цифровой вход
6	GND
7	Reset
8	Экран

Табл. 13

9.2.3.1 Подключение последовательной линии

Устройство оснащается последовательной, Полудуплексной, линией связи RS-485, Оконечной нагрузкой (переключатель 4 DIP1 устанавливается по умолчанию в положении ВКЛ).

Для версий с аналоговой камерой может потребоваться изменение настройки. Установите переключатель 4 DIP1 в положение Выкл., чтобы убрать оконечную нагрузку для линии RS-485 (8.3 Описание платы управления, страница 21).

Последовательный кабель необходимо подключить к разъемам реле, аварийных сигналов, последовательной линии и возврата к заводским настройкам (J11, клемма 1/клемма 2, 8.4 Описание платы разъемов, страница 21).

9.2.3.2 Подключение реле



Используйте реле с указанными ниже характеристиками. Рабочее напряжение: до 30Vac или 60Vdc. Сила тока: 1A max. Используйте кабели соответствующего сечения со следующими характеристиками: от 0.25mm² (24AWG) до 1.5mm² (16AWG).

В связи с отсутствием полярности обе клеммы одного реле могут использоваться как с напряжением прямого, так и переменного тока.

Сухой контакт является контактом типа NO (нормально разомкнутым).

9.2.3.3 Подключение стеклоочистителя

Управление стеклоочистителем может осуществляться дистанционно через сухой нормально разомкнутый (НР) контакт. Подсоедините сухие контакты кабеля к разъемам реле, аварийных сигналов, последовательной линии и возврата к заводским настройкам (J11, клемма 5/клемма 6, 8.4 Описание платы разъемов, страница 21).

В случае модели со встроенным стеклоочистителем подсоедините проводку к разъемам датчиков и разъемам линии электропитания (J2, J5, 8.3 Описание платы управления, страница 21).

9.3 Подключение заземления



ПРЕДУПРЕЖДЕНИЕ! Внешние эквипотенциальные соединения выполняются через ушко с наружной стороны устройства. Не следует использовать ушко в качестве защитной клеммы.

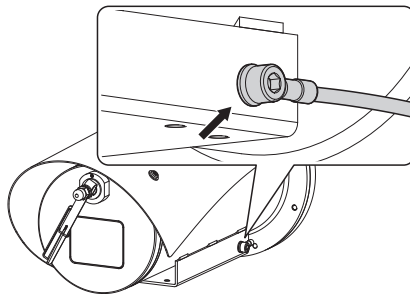


Рис. 20

Устройство следует подключить к эквипотенциальной системе заземления с помощью кабеля с указанным ниже минимальным сечением: 4mm² (11AWG).

Подсоедините эквипотенциальный кабель заземления к имеющемуся ушку. Подходящему для кабелей сечением: от 4mm² до 6mm².

Закрепите ушко с помощью винта (M5) и предоставленной в комплекте зубчатой шайбы.

Характеристики винта (M5)

- Материал: A4 Класс 70
- Головка винта: ISO 4762
- Длина: 12mm

Эквипотенциальное соединение необходимо для выполнения дополнительных предусмотренных законом соединений.

9.4 Закрывание кожуха

! Проверьте работоспособность системы, перед тем как закрыть устройство и приступить к эксплуатации в потенциально опасной среде.

! Соблюдайте осторожность во избежание повреждения взрывозащищенного соединения при открытии и закрытии устройства.

! Перед тем как закрыть задний фланец, проверьте целостность уплотнительного кольца. При повреждении уплотнения замените его на новое из комплекта поставки.

i В случае модели со встроенным стеклоочистителем выполните монтаж проводки, перед тем как закрыть кожух. (J2, J5, 8.3 Описание платы управления, страница 21).

Убедитесь в отсутствии грязи и инородных частиц.

Расположите кабели таким образом, чтобы они не мешали закрытию задней крышки.

Вставьте задний фланец в корпус кожуха, совместив отверстия обеих деталей.

! Соблюдайте осторожность во избежание повреждения уплотнительного кольца.

Закрутите ранее извлеченные винты с шайбами.

Характеристики винтов

- Диаметр/Шаг резьбы винта: M5x0.8
- Материал: A4 Класс 70
- Головка винта: ISO 4762
- Длина: 12mm
- Предел текучести (мин.): 450N/mm²

! Винты следует использовать вместе с комплектными шайбами.

! Будьте внимательны при монтаже. Момент затяжки: От 8Nm до 9Nm.

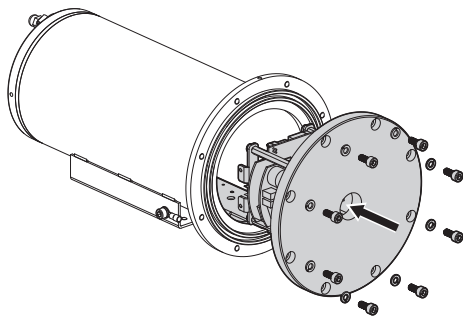


Рис. 21

9.5 Установка солнцезащитного козырька

i Перед тем как установить солнцезащитный козырек (при его наличии), снимите (защитную пленку).

Солнцезащитный козырек можно закрепить на кожухе с помощью комплектных винтов.

Нанесите толстый слой герметика для резьбовых соединений (Loctite 270) на поверхность резьбовых отверстий в основании устройства.

Оставьте герметик застывать в течение одного часа; не забудьте выждать указанное количество времени до завершения установки.

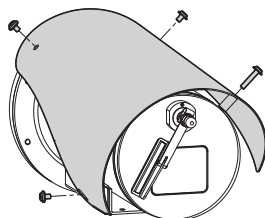


Рис. 22

10 Инструкции по безопасной эксплуатации

10.1 Безопасная эксплуатация



Перед тем как приступить к выполнению следующих операций, убедитесь в том, что напряжение сети питания соответствует требуемому.

10.1.1 Ввод в эксплуатацию

Перед началом установки внимательно ознакомьтесь со всеми пунктами настоящего руководства.

VIDEOTEС настоятельно рекомендует проверить конфигурацию и эксплуатационные характеристики устройства перед его окончательной установкой в соответствующем месте. Для этой цели используйте подходящие инструменты.

Проверьте работоспособность системы, перед тем как закрыть устройство и приступить к эксплуатации в потенциально опасной среде.

Убедитесь в том, что все устройства сертифицированы для использования в условиях среды установки.

Чтобы уменьшить риск возгорания, не открывайте устройство в потенциально взрывоопасной среде.

После ввода устройства в эксплуатацию храните настоящее руководство в надежном месте на случай необходимости повторного ознакомления.

10.1.2 Правила техники безопасности

Убедитесь в том, что приняты все необходимые меры для обеспечения безопасности персонала.

Перед тем как приступить к выполнению любых операций, убедитесь в том, что источник питания отключен.

Установите автомат защиты от перегрузки в электросистеме здания, перед тем как включить питание устройства.

Порядок установки электрооборудования должен отвечать требованиям действующего местного законодательства.

Установка устройства должна осуществляться только квалифицированным техническим персоналом.

10.1.3 Правила обеспечения взрывобезопасности

Используйте инструменты, подходящие для выполнения работ в соответствующей зоне.

Не забывайте о том, что устройство должно быть подключено к соответствующей системе заземления.

Перед тем как приступить к выполнению технического обслуживания или ремонта устройства, убедитесь в отсутствии потенциально взрывоопасной среды.

Перед тем как приступить к выполнению любых операций, убедитесь в том, что источник питания отключен.

Не открывайте крышки устройства при эксплуатации в потенциально взрывоопасной атмосфере.


- Выполняйте все операции по подключению, установке и техническому обслуживанию во взрывобезопасной атмосфере.


11 Включение


Для того чтобы включить устройство, подключите источник питания.


Для того чтобы выключить устройство, отключите источник питания.

11.1 Меры, принимаемые до включения питания устройства во взрывоопасной атмосфере

 Убедитесь в том, что устройство и прочие элементы системы снабжены защитными кожухами, исключающими возможность контакта с токопроводящими компонентами.


 Убедитесь в том, что устройство заземлено в соответствии с описанием, приведенным в настоящем руководстве.


 Убедитесь, что задняя нижняя пластина правильно закрыта.


 Убедитесь в том, что герметизация кабельных вводов (при наличии таковых) выполнена надлежащим образом с соблюдением требуемого времени выдержки до полного отверждения клея-герметика.


 Убедитесь в том, что все детали надежно закреплены.


12 Техническое обслуживание


 Перед тем как приступить к выполнению технического обслуживания или ремонта устройства, убедитесь в отсутствии потенциально взрывоопасной среды.


 **ПРЕДУПРЕЖДЕНИЕ!** Установка и обслуживание устройства должны осуществляться только специализированным персоналом.


 Отключите источник питания, перед тем как приступить к проведению каких-либо технических работ на устройстве.

 Производитель снимает с себя всю ответственность за повреждения любых перечисленных в настоящем документе устройств, которые связаны с небрежным обращением, использованием неоригинальных запасных частей, а также случаями проведения установочных и технических обслуживания и ремонта неуполномоченными сотрудниками и сотрудниками, не имеющими необходимых навыков.

 При наличии повреждений каких-либо деталей их ремонт или замена должны проводиться сотрудниками компании VIDEOTEC или под их наблюдением.

 При замене деталей всегда используйте оригинальные запасные части компании VIDEOTEC и тщательно соблюдайте инструкции по техническому обслуживанию, предоставляемые с каждым комплектом запасных частей.

 Для получения информации по размерам взрывозащищенного соединения следует обратиться к производителю.

 При необходимости проведения технического обслуживания рекомендуется направить изделие в лабораторию, сотрудники которой выполняют все требуемые операции.

При обращении за поддержкой в компанию VIDEOTEC предоставьте серийный номер и идентификационный код устройства.

12.1 Замена предохранителей



ПРЕДУПРЕЖДЕНИЕ! Для обеспечения постоянной защиты от риска возгорания при замене предохранителей следует использовать предохранители того же типа и номинала. Только обслуживающий персонал может проводить замену предохранителей.

Ниже приводится описание используемого предохранителя.

ЗАМЕНА ПРЕДОХРАНИТЕЛЕЙ	
Напряжение сети питания	Предохранитель (FUS1)
12Vdc	T 2A H 250V 5x20
24Vdc	T 2A H 250V 5x20
24Vac, 50/60Hz	T 2A H 250V 5x20

Табл. 14

В качестве альтернативы допускается использовать утвержденные предохранители с аналогичными характеристиками.

Ослабьте винты, используемые для крепления направляющей на прокладках в нижней части устройства, и отсоедините разъемы от платы.

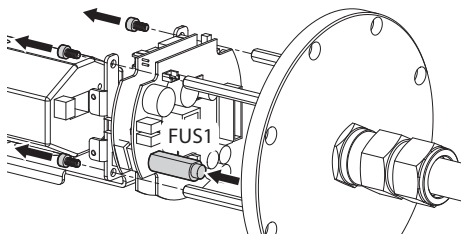
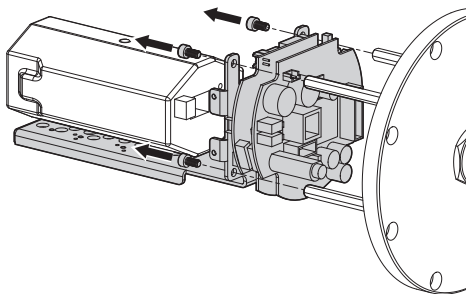


Рис. 23

12.2 Замена направляющей



Ослабьте винты, используемые для крепления направляющей на прокладках в нижней части устройства, и отсоедините разъемы от платы.

Рис. 24

12.3 Замена прокладки задней крышки

В случае износа уплотнительного кольца замените его на кольцо из комплекта поставки. При отсутствии комплектного уплотнителя используйте оригинальные запчасти VIDEOTECH.

Замените прокладку кожуха. Проследите за тем, чтобы она была установлена в требуемом положении.

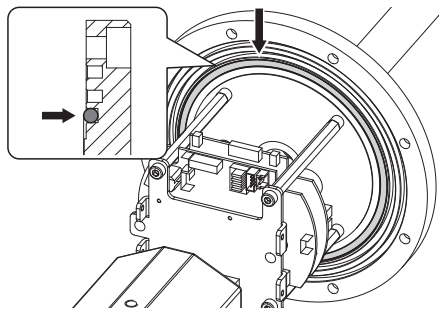


Рис. 25

12.4 Замена щетки стеклоочистителя

В моделях, оснащенных стеклоочистителями, можно заменить изношенные щетки.

Открутите глухую гайку, которая фиксирует щетку, и снимите щетку. Замените изношенную щетку на новую. Прикрутите обратно глухую гайку, отрегулировав крепление так, чтобы щетка правильно прилежала к стеклу. Включите стеклоочиститель, чтобы проверить, правильно ли установлена щетка.

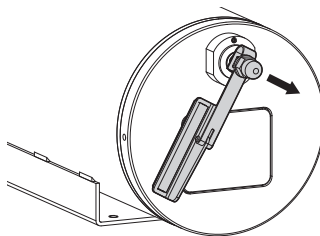


Рис. 26

13 Очистка

i Частота операций зависит от среды эксплуатации изделия.

13.1 Очистка стекла

Во избежание возникновения опасной ситуации при выполнении очистки устройства следует использовать воду или жидкое моющее средство.

13.2 Очистка германиевого окна

! При эксплуатации устройства необходимо всегда устанавливать защитную решетку. Несоблюдение настоящей инструкции может привести к возникновению серьезной угрозы для безопасности людей и установки, а также аннулирует гарантию.

! Не используйте этиловый спирт, растворители, галогенированные углеводороды, сильные кислоты и щелочи. Подобные вещества могут необратимо повредить поверхность устройства.

! При выполнении очистки постарайтесь не поцарапать и не повредить внешнюю поверхность окна с графитовым покрытием. Повреждение покрытия может негативно отразиться на проницаемости поверхности для инфракрасного излучения.

Очистку следует выполнять с помощью мягкого мыльного раствора.

Используя искробезопасный инструмент, выверните винты с шайбами в передней части кожуха и извлеките защитную сетку.

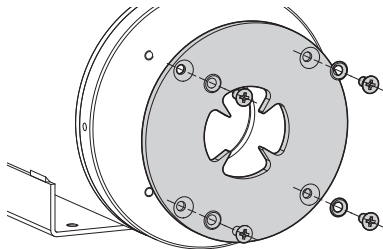


Рис. 27 Мелкая сетка.

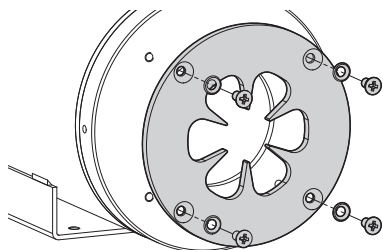


Рис. 28 Крупная сетка.

После выполнения очистки установите сетку на место, закрепив ее винтами и шайбами.

13.3 Очистка устройства

! Толщина слоя пыли на внешней поверхности устройства не должна превышать 5mm.

Очистку устройства необходимо выполнять с помощью влажной ткани; не следует использовать сжатый воздух.

14 Информация об утилизации и переработке

Европейская директива 2012/19/ЕС Об Отходах Электрического и Электронного Оборудования (РАЕЕ) предписывает, что данные устройства не следует утилизировать вместе с твердыми бытовыми отходами; их сбор осуществляется отдельно для оптимизации потока их утилизации и переработки содержащихся в них материалов, а также снижения воздействия на здоровье людей и окружающую среду в связи с присутствием потенциально опасных веществ.



Значок с изображением зачеркнутого мусорного контейнера присутствует на всей продукции для напоминания об указанном требовании.

Отходы могут доставляться в соответствующие центры по сбору отходов или бесплатно передаваться дистрибьютору, у которого было куплено оборудование, в момент покупки новой аналогичной продукции или без обязательства совершить новую покупку в случае оборудования, чей размер не превышает 25см.

Для получения более подробной информации о надлежащей утилизации данных устройств вы можете обратиться в уполномоченную государственную организацию.

15 Поиск и устранение неисправностей



В том случае, если перечисленные ниже проблемы не удается устранить или если вы столкнулись с другими проблемами, описание которых здесь не представлено, обратитесь в авторизованный сервисный центр.

НЕИСПРАВНОСТЬ Устройство не включается.

ПРИЧИНА Неправильная проводка, перегорание предохранителя.

СПОСОБ УСТРАНЕНИЯ Убедитесь в том, что соединения выполнены надлежащим образом. Проверьте целостность предохранителя и замените его, если он перегорел, на предохранитель указанной модели.

НЕИСПРАВНОСТЬ Замерзший стеклоочиститель не отвечает на команды управления.

ПРИЧИНА Стеклоочиститель заблокирован или сломан.

СПОСОБ УСТРАНЕНИЯ Убедитесь, что работе стеклоочистителя ничего не мешает. Убедитесь в том, что кабели стеклоочистителя не отсоединены и не повреждены.

16 Технические характеристики

16.1 MAXIMUS MVX

16.1.1 Механические характеристики

Солнцезащитный козырек

Встроенный стеклоочиститель

Вес устройства:

- 6kg (только кожух)
- 8.5kg (кожух с многожильным экранированным кабелем длиной 4m)
- 12kg (кожух с многополюсным экранированным кабелем длиной 10m)

16.1.2 Кабельные муфты

Ввод кабелей: 1 отверстие, 3/4", NPT

Кабельная муфта Ex db 3/4" NPT, а также предварительно установленным многожильным армированным кабелем длиной 4/10m или свободным концом кабеля длиной 4/10m (для установки в кабелепровод, держатель кабелепровода и кабелепровод не включены в комплект)

16.1.3 Окно кожуха

Материал: Термозакаленное стекло

- Размеры: 51x41mm
- Толщина: 12mm

16.1.4 Электрические характеристики

Напряжение сети питания/Потребляемый ток (подогрев включен, Ton 15°C±3°C, Toff 22°C±3°C):

- 24Vac ±10%, 2.2A, 50/60Hz
- 24Vdc ±5%, 2.2A
- 12Vdc ±5%, 3.5A

16.1.5 Сеть

Ethernet подключение (Только для IP-версий изделия):

10BASE-T/100BASE-T

Разъем: RJ45

Длина кабеля: 100m max

16.1.6 Последовательная связь

Последовательный интерфейс

- Линия RS-485, полудуплексный
- Длина кабеля: 1200m max
- Адресуемые устройства: 255 (настройка с OSM)

Протокол последовательной связи

- PANASONIC 850: 9600baud, 19200baud
- PELCO D: 2400baud, 9600baud
- VIDEOTEC MACRO: 9600baud, 38400baud

16.1.7 Видео

Видеокодер

- Протокол связи: ONVIF, Profile S
- Конфигурация устройства: TCP/IPv4-IPV6, UDP/IPv4-IPV6, HTTP, NTP, DHCP, WS-DISCOVERY, QoS, IGMP (Многоадресный)
- Поточковый: RTSP, RTCP, RTP/IPV4
- Видеожатие: H.264/AVC, MJPEG
- Независимых видеопотока: 2
- Разрешение изображения: от Full D1 (720x576 для PAL, 720x480 для NTSC) до 352x240
- Веб-сервер

16.1.8 Интерфейс ввода-вывода

Плата ввода-вывода аварийных сигналов

- Входы аварийных сигналов: 1
- Выходы реле: 1 (1A, 30Vac/60Vdc max)

Длина кабеля: 200m max

Модель со встроенным стеклоочистителем

- Дистанционное включение стеклоочистителя: 1 вход, Сухой нормально разомкнутый (NO) контакт

16.1.9 Камеры

Энергопотребление (монтаж, камера и объектив)

- Без IP-видеокодера: 8W
- С IP-видеокодером: 6W

Минимальное расстояние между камерой и окном кожуха:
4mm

Размеры камер/Устанавливаемые объективы (ШхВхД)

- Без видеокодера: 70x65x140mm
- С видеокодером: 70mmx65mmx120mm

16.1.10 Окружающая среда

Для установки внутри помещений и наружной установки

Рабочая температура:

- Холодный запуск от -40°C до +65°C
- Работа от -50°C до +65°C

Относительная влажность: от 10% до 95% (без образования конденсата)

16.1.11 Сертификаты

ATEX (EN 60079-0: 2012, EN 60079-1: 2014, EN 60079-31: 2014)

- Ex db IIC T5 Gb
- Ex tb IIIC T100°C Db IP66/IP68
-60°C ≤ Ta ≤ +65°C
- Ex db IIC T5 Gb
- Ex tb IIIC T100°C Db IP66/IP68
-50°C ≤ Ta ≤ +65°C
- Ex db IIC T6 Gb
- Ex tb IIIC T85°C Db IP66/IP68
-60°C ≤ Ta ≤ +55°C
- Ex db IIC T6 Gb
- Ex tb IIIC T85°C Db IP66/IP68
-50°C ≤ Ta ≤ +55°C

IECEX (IEC 60079-0: 2011 Ed.6, IEC 60079-1: 2014-06 Ed.7, IEC 60079-31: 2013 Ed.2)

- Ex db IIC T5 Gb
- Ex tb IIIC T100°C Db IP66/IP68
-60°C ≤ Ta ≤ +65°C
- Ex db IIC T5 Gb
- Ex tb IIIC T100°C Db IP66/IP68
-50°C ≤ Ta ≤ +65°C
- Ex db IIC T6 Gb
- Ex tb IIIC T85°C Db IP66/IP68
-60°C ≤ Ta ≤ +55°C
- Ex db IIC T6 Gb
- Ex tb IIIC T85°C Db IP66/IP68
-50°C ≤ Ta ≤ +55°C

TYPE 6P, TYPE 4X (UL50E)

IP69 (EN/IEC60529), только кожух

IP66/IP67/IP68 (2 ч, 5m, EN/IEC60529)

16.2 MAXIMUS MVXT

16.2.1 Механические характеристики

Солнцезащитный козырек

Вес устройства:

- 6kg (только кожух)
- 8.5kg (кожух с многожильным экранированным кабелем длиной 4m)
- 12kg (кожух с многополюсным экранированным кабелем длиной 10m)

16.2.2 Кабельные муфты

Ввод кабелей: 1 отверстие, 3/4" NPT

Кабельная муфта Ex db 3/4" NPT, а также предварительно установленным многожильным армированным кабелем длиной 4/10m или свободным концом кабеля длиной 4/10m (для установки в кабелепровод, держатель кабелепровода и кабелепровод не включены в комплект)

16.2.3 Окно кожуха

Германиевое окно (крупная сетка)

- Рабочий диаметр: 57mm
- Толщина: 10mm
- Обработка внешней поверхности: защита от царапин (Высокопрочное углеродное покрытие (DLC)), антибликовое покрытие
- Обработка внутренней поверхности: антибликовое покрытие
- Спектральный диапазон: от 7.5μm до 14μm
- Средний коэффициент пропускания (от 7.5μm до 11,5μm): 87.3%
- Средний коэффициент пропускания (от 11,5μm до 14μm): 67.3%

Германиевое окно (мелкая сетка)

- Рабочий диаметр: 40mm (1.6in)
- Толщина: 8mm
- Обработка внешней поверхности: защита от царапин (Высокопрочное углеродное покрытие (DLC)), антибликовое покрытие
- Обработка внутренней поверхности: антибликовое покрытие
- Спектральный диапазон: от 7.5μm до 14μm
- Средний коэффициент пропускания (от 7.5μm до 11,5μm): 87.5%
- Средний коэффициент пропускания (от 11,5μm до 14μm): 72.1%

16.2.4 Электрические характеристики

Напряжение сети питания/Потребляемый ток (подогрев включен, Ton 15°C±3°C, Toff 22°C±3°C):

- 24Vac ±10%, 2.2A, 50/60Hz
- 24Vdc ±5%, 2.2A
- 12Vdc ±5%, 3.5A

16.2.5 Сеть

Ethernet подключение (Только для IP-версий изделия): 10BASE-T/100BASE-T

Разъем: RJ45

Длина кабеля: 100m max

16.2.6 Последовательная связь

Последовательный интерфейс

- Линия RS-485, полудуплексный
- Длина кабеля: 1200m max
- Адресуемые устройства: 255 (настройка с OSM)

Протокол последовательной связи

- PANASONIC 850: 9600baud, 19200baud
- PELCO D: 2400baud, 9600baud
- VIDEOTEC MACRO: 9600baud, 38400baud

16.2.7 Видео



Чтобы определить установленную модель видеокодера, необходимо сравнить код изделия на этикетке с таблицей кодов (5 Код изделия, страница 14). Модель может быть идентифицирована в столбце «Версия» (А или В).

Видеокодер (Версия А)

- Протокол связи: ONVIF, Profile S
- Конфигурация устройства: TCP/IPv4-IPv6, UDP/IPv4-IPv6, HTTP, NTP, DHCP, WS-DISCOVERY, QoS, IGMP (Многоадресный)
- Поточковый: RTSP, RTCP, RTP/IPv4
- Видеожатие: H.264/AVC, MJPEG
- Независимых видеопотока: 2
- Разрешение изображения: от Full D1 (720x576 для PAL, 720x480 для NTSC) до 352x240
- Веб-сервер

Видеокодер (Версия В)

- Протокол связи: ONVIF, Profile S и Profile Q
- Поточный: RTSP, RTCP, RTP/IPv4, Многоадресный
- Видеосжатие: H.264/AVC, MJPEG, MPEG4, JPEG
- До 3 одновременных видеопотоков
- Разрешение изображения: от Full D1 (720x576 для PAL, 720x480 для NTSC) до 352x240
- Возможность выбора частоты кадров от 1 до 60 кадров/с
- Веб-сервер

16.2.8 Интерфейс ввода-вывода

Плата ввода-вывода аварийных сигналов

- Входы аварийных сигналов: 1
- Выходы реле: 1 (1A, 30Vac/60Vdc max)

Длина кабеля: 200m max

16.2.9 Камеры

Энергопотребление (монтаж, камера и объектив)

- Без IP-видеокодера: 8W
- С IP-видеокодером: 6W

Минимальное расстояние между камерой и окном кожуха: 4mm

Размеры камер/Устанавливаемые объективы (ШxВxД)

- Без видеокодера: 70x65x140mm
- С видеокодером: 70mmx65mmx120mm

16.2.10 Окружающая среда

Для установки внутри помещений и наружной установки

Рабочая температура:

- Холодный запуск от -40°C до +65°C
- Работа от -50°C до +65°C

Относительная влажность: от 10% до 95% (без образования конденсата)

16.2.11 Сертификаты

ATEX (EN 60079-0: 2012, EN 60079-1: 2014, EN 60079-31: 2014)

⊕ II 2 G Ex db IIC T5 Gb

⊕ II 2 D Ex tb IIIC T100°C Db IP66/IP68
-60°C ≤ Ta ≤ +65°C

⊕ II 2 G Ex db IIC T5 Gb

⊕ II 2 D Ex tb IIIC T100°C Db IP66/IP68
-50°C ≤ Ta ≤ +65°C

⊕ II 2 G Ex db IIC T6 Gb

⊕ II 2 D Ex tb IIIC T85°C Db IP66/IP68
-60°C ≤ Ta ≤ +55°C

⊕ II 2 G Ex db IIC T6 Gb

⊕ II 2 D Ex tb IIIC T85°C Db IP66/IP68
-50°C ≤ Ta ≤ +55°C

IECEX (IEC 60079-0: 2011 Ed.6, IEC 60079-1: 2014-06 Ed.7, IEC 60079-31: 2013 Ed.2)

Ex db IIC T5 Gb

Ex tb IIIC T100°C Db IP66/IP68
-60°C ≤ Ta ≤ +65°C

Ex db IIC T5 Gb

Ex tb IIIC T100°C Db IP66/IP68
-50°C ≤ Ta ≤ +65°C

Ex db IIC T6 Gb

Ex tb IIIC T85°C Db IP66/IP68
-60°C ≤ Ta ≤ +55°C

Ex db IIC T6 Gb

Ex tb IIIC T85°C Db IP66/IP68
-50°C ≤ Ta ≤ +55°C

TYPE 6P, TYPE 4X (UL50E)

IP69 (EN/IEC60529), только кожух

IP66/IP67/IP68 (2 ч, 5m, EN/IEC60529)

16.3 MAXIMUS MVXHD

16.3.1 Механические характеристики

Солнцезащитный козырек

Встроенный стеклоочиститель

Вес устройства:

- 6kg (только кожух)
- 8.5kg (кожух с многожильным экранированным кабелем длиной 4m)
- 12kg (кожух с многополюсным экранированным кабелем длиной 10m)

16.3.2 Кабельные муфты

Ввод кабелей: 1 отверстие, 3/4", NPT

Кабельная муфта Ex db 3/4" NPT, а также предварительно установленным многожильным армированным кабелем длиной 4/10m или свободным концом кабеля длиной 4/10m (для установки в кабелепровод, держатель кабелепровода и кабелепровод не включены в комплект)

16.3.3 Окно кожуха

Материал: Термозакаленное стекло

Размеры: 51x41mm

Толщина: 12mm

16.3.4 Электрические характеристики

Напряжение сети питания/Потребляемый ток (подогрев включен, Ton 15°C±3°C, Toff 22°C±3°C):

- 24Vac ±10%, 2.2A, 50/60Hz
- 24Vdc ±5%, 2.2A
- 12Vdc ±5%, 3.5A

16.3.5 Видео



Чтобы определить установленную модель видеокодера, необходимо сравнить код изделия на этикетке с таблицей кодов (5 Код изделия, страница 14). Модель может быть идентифицирована в столбце «Версия» (А или В).

Видеокодер (Версия А)

- Протокол связи: ONVIF, Profile S
- Конфигурация устройства: TCP/IPv4-IPv6, UDP/IPv4-IPv6, HTTP, HTTPS, NTP, DHCP, WSDISCOVERY, QoS, DSCP, IGMP (Multicast), SOAP, DNS, SNMP
- Поточковый: RTSP, RTCP, RTP/IPv4, Многоадресный
- Видеожатие: H.264/AVC, MJPEG
- 2 независимых видеопотока Full HD или 4 независимых видеопотока, в зависимости от конфигурации
- Разрешение изображения: от FullHD до 352x240 при 18 прогонах
- Возможность выбора частоты кадров от 1 до 60 кадров/с
- Веб-сервер
- Motion Detection

Видеокодер (Версия В)

- Протокол связи: ONVIF, Profile S и Profile Q
- Конфигурация устройства: TCP/IPv4-IPv6, UDP/IPv4-IPv6, HTTP, HTTPS, NTP, DHCP, WS-DISCOVERY, DSCP, IGMP (Мног аадресный), SOAP, DNS
- Поточковый: RTSP, RTCP, RTP/IPv4, HTTP, Многоадресный
- Видеожатие: H.264/AVC, MJPEG, JPEG, MPEG4
- 3 независимых видеопотока Full HD
- Разрешение изображения: от 320x180 до 1920x1080 при 6 прогонах
- Возможность выбора частоты кадров от 1 до 60 кадров/с
- Веб-сервер
- Motion Detection

16.3.6 Сеть

Ethernet подключение

- Видеокодер А: 10BASE-T/100BASE-T
- Видеокодер В: 100BASE-TX

Разъем: RJ45

Длина кабеля: 100m max

16.3.7 Интерфейс ввода-вывода

Плата ввода-вывода аварийных сигналов

- Входы аварийных сигналов: 1
- Выходы реле: 1 (1А, 30Vac/60Vdc max)

Длина кабеля: 200m max

16.3.8 Камеры

Энергопотребление (монтаж, камера и объектив)

- Без IP-видеокодера: 8W
- С IP-видеокодером: 6W

Минимальное расстояние между камерой и окном кожуха:
4mm

Размеры камер/Устанавливаемые объективы (ШxВxД)

- Без видеокодера: 70x65x140mm
- С видеокодером: 70mmx65mmx100mm

16.3.9 Окружающая среда

Для установки внутри помещений и наружной установки

Рабочая температура:

- Холодный запуск от -40°C до +65°C
- Работа от -50°C до +65°C

Относительная влажность: от 10% до 95% (без образования конденсата)

16.3.10 Сертификаты

ATEX (EN 60079-0: 2012, EN 60079-1: 2014, EN 60079-31: 2014)

- ⊕ II 2 G Ex db IIC T5 Gb
- ⊕ II 2 D Ex tb IIIC T100°C Db IP66/IP68
-60°C ≤ Ta ≤ +65°C
- ⊕ II 2 G Ex db IIC T5 Gb
- ⊕ II 2 D Ex tb IIIC T100°C Db IP66/IP68
-50°C ≤ Ta ≤ +65°C
- ⊕ II 2 G Ex db IIC T6 Gb
- ⊕ II 2 D Ex tb IIIC T85°C Db IP66/IP68
-60°C ≤ Ta ≤ +55°C
- ⊕ II 2 G Ex db IIC T6 Gb
- ⊕ II 2 D Ex tb IIIC T85°C Db IP66/IP68
-50°C ≤ Ta ≤ +55°C

IECEE (IEC 60079-0: 2011 Ed.6, IEC 60079-1: 2014-06 Ed.7, IEC 60079-31: 2013 Ed.2)

- Ex db IIC T5 Gb
- Ex tb IIIC T100°C Db IP66/IP68
-60°C ≤ Ta ≤ +65°C
- Ex db IIC T5 Gb
- Ex tb IIIC T100°C Db IP66/IP68
-50°C ≤ Ta ≤ +65°C
- Ex db IIC T6 Gb
- Ex tb IIIC T85°C Db IP66/IP68
-60°C ≤ Ta ≤ +55°C
- Ex db IIC T6 Gb
- Ex tb IIIC T85°C Db IP66/IP68
-50°C ≤ Ta ≤ +55°C

TYPE 6P, TYPE 4X (UL50E)

IP69 (EN/IEC60529), только кожух

IP66/IP67/IP68 (2 ч, 5m, EN/IEC60529)

17 Технические чертежи



Размеры указаны в миллиметрах.

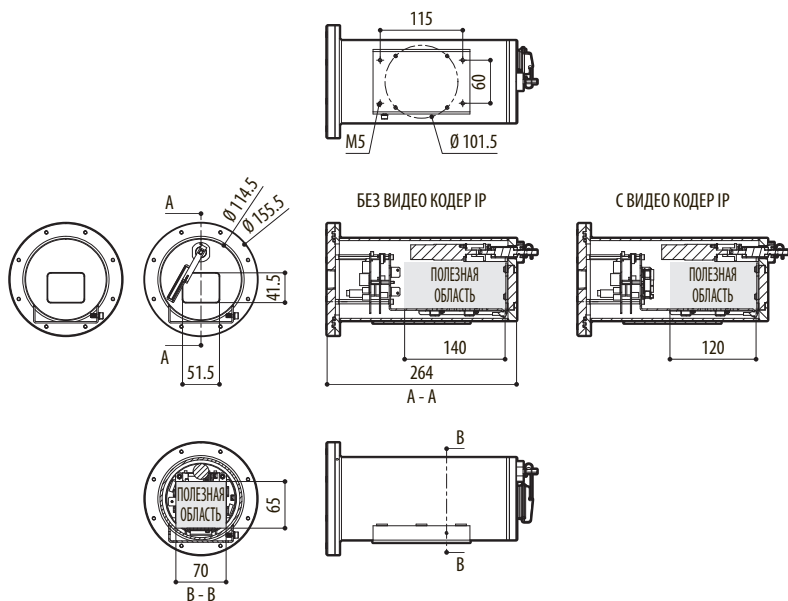


Рис. 29 MAXIMUS MVX.

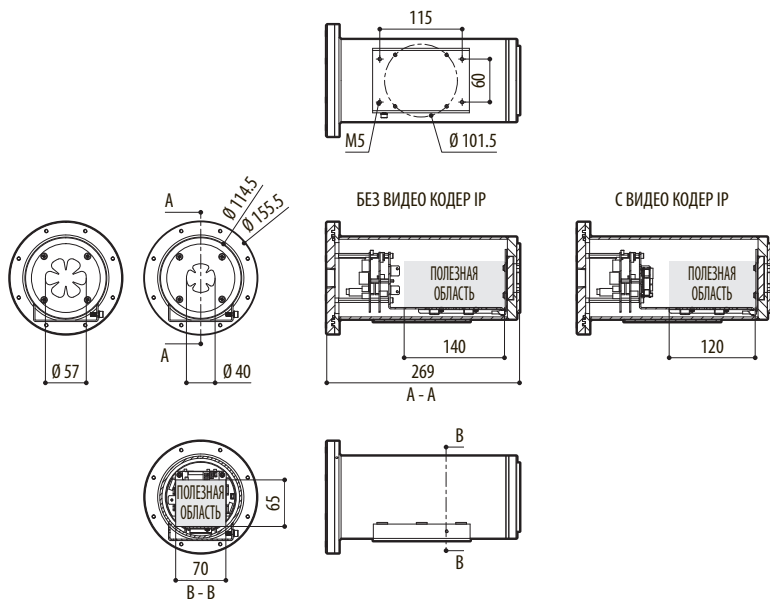


Рис. 30 MAXIMUS MVXT.

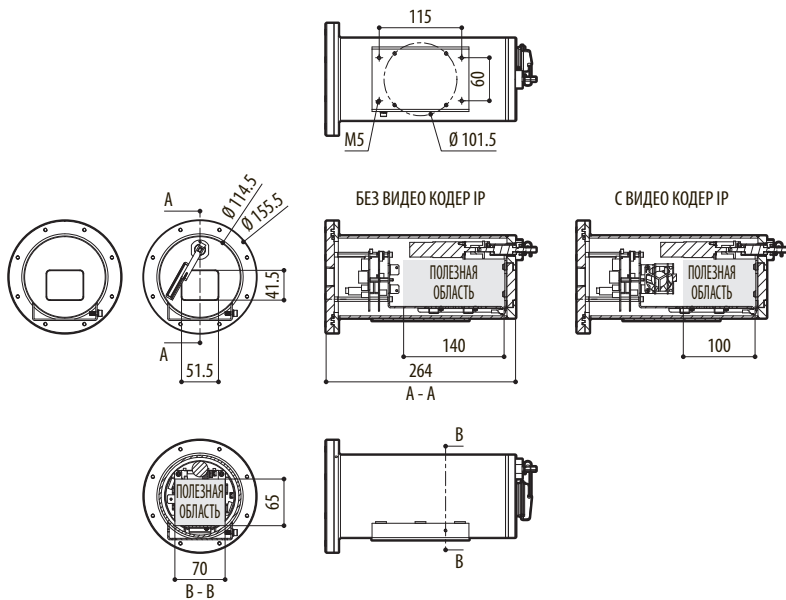


Рис. 31 MAXIMUS MVXHD.

Headquarters Italy Videotec S.p.A.
Via Friuli, 6 - I-36015 Schio (VI) - Italy
Tel. +39 0445 697411 - Fax +39 0445 697414
Email: info@videotec.com

Asia Pacific Videotec (HK) Ltd
Flat 8, 19/F. On Dak Industrial Building, No. 2-6 Wah Sing Street
Kwai Chung, New Territories - Hong Kong
Tel. +852 2333 0601 - Fax +852 2311 0026
Email: info.hk@videotec.com

France Videotec France SARL
Immeuble Le Montreal, 19bis Avenue du Québec, ZA de Courtaoef
91140 Villebon sur Yvette - France
Tel. +33 1 60491816 - Fax +33 1 69284736
Email: info.fr@videotec.com

Americas Videotec Security, Inc.
Gateway Industrial Park, 35 Gateway Drive, Suite 100
Plattsburgh, NY 12901 - U.S.A.
Tel. +1 518 825 0020 - Fax +1 518 825 0022
Email: info.usa@videotec.com



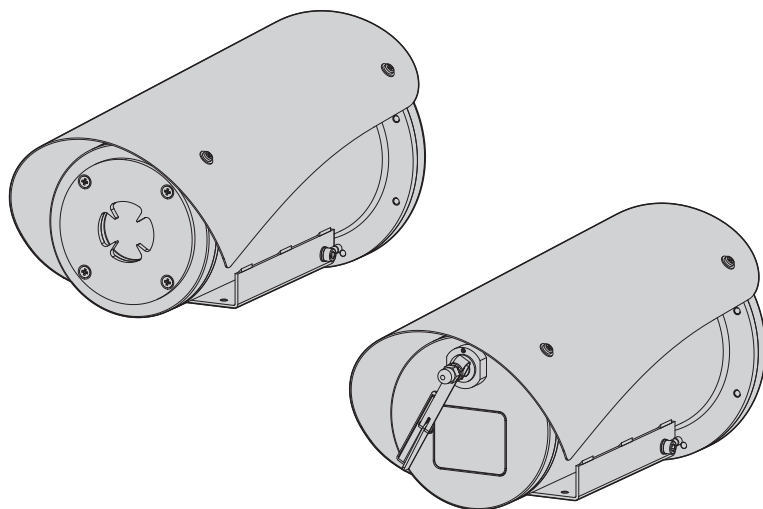
www.videotec.com
MNVCMVXTHD_1813_RU



MAXIMUS MVX, MAXIMUS MVXT, MAXIMUS MVXHD

Invólucro à prova de explosão

MANUAL A



Sumário

1	Informações neste manual.....	7
1.1	Convenções tipográficas.....	7
2	Direitos autorais e informações sobre marcas registradas	7
3	Normas de segurança.....	7
3.1	Detalhes do certificado ATEX-IECEx.....	10
3.1.1	Temperatura.....	10
3.1.2	Características das câmeras de vídeo instaláveis.....	10
3.1.3	Instruções de instalação.....	10
3.1.4	Instruções de montagem	11
3.1.5	Condições especiais para a utilização segura	11
3.1.6	Informações adicionais.....	11
4	Identificação	11
4.1	Descrição e designação do produto.....	11
4.2	Etiqueta do produto	12
5	Codificação do produto.....	14
6	Versões	15
6.1	Vidro temperado.....	15
6.2	Limpador de vidro integrado	15
6.3	Janela em germânio	15
7	Preparação do produto para o uso.....	16
7.1	Precauções de segurança antes do uso.....	16
7.2	Desembalagem	17
7.3	Conteúdo.....	17
7.4	Eliminação segura dos materiais de embalagem	17
7.5	Os trabalhos preparatórios antes da instalação	17
7.5.1	Fixação ao parapeito	18
7.5.2	Fixação com estribo.....	18
7.5.3	Fixação com cinto de poste ou módulo adaptador angular.....	19
7.5.3.1	Fixação com cinto de poste	19
7.5.3.2	Fixação com módulo angular.....	19
8	Montagem.....	20
8.1	Campo de utilização	20
8.2	Abertura da proteção.....	20
8.3	Descrição da placa de controle.....	21
8.4	Descrição da placa de conectores	21
8.5	Instalação da câmera de vídeo	22
8.6	Ligação da câmera de vídeo	22
9	Instalação	23
9.1	Entrada cabos.....	23
9.2	Ligação da placa de conectores	24
9.2.1	Ligação da linha de alimentação	24

9.2.2	Ligação do cabo de vídeo	25
9.2.2.1	Ligação do cabo de vídeo (sinal analógico na saída)	25
9.2.2.2	Ligação do cabo de vídeo (câmara de vídeo IP comum)	25
9.2.2.3	Ligação do cabo de vídeo (sinal digital na saída)	25
9.2.3	Ligação dos cabos de sinal.....	25
9.2.3.1	Ligação da linha de série.....	25
9.2.3.2	Ligação dos relés.....	26
9.2.3.3	Ligação do limpador de para-brisa	26
9.3	Aterramento	26
9.4	Fechamento da proteção.....	27
9.5	Fixação da cobertura.....	27
10	Instruções de funcionamento em segurança	28
10.1	Funcionamento em condições de segurança.....	28
10.1.1	Comissionamento.....	28
10.1.2	Requisitos de segurança.....	28
10.1.3	Requisitos para a prevenção de explosões.....	28
11	Acendimento.....	29
11.1	Antes de alimentar a unidade em uma atmosfera potencialmente explosiva	29
12	Manutenção	29
12.1	Substituição dos fusíveis	30
12.2	Substituição do cursor.....	30
12.3	Substituição da guarnição da tampa traseira	30
12.4	Substituição da palheta do limpador	30
13	Limpeza	31
13.1	Limpeza do vidro.....	31
13.2	Limpeza da janela em vidro ao germânio.....	31
13.3	Limpeza do produto.....	31
14	Informações sobre descarte e reciclagem	32
15	Solução de problemas.....	32
16	Dados técnicos.....	33
16.1	MAXIMUS MVX	33
16.1.1	Mecânica	33
16.1.2	Prensa cabos.....	33
16.1.3	Janelas para caixa.....	33
16.1.4	Elétrico	33
16.1.5	Rede	33
16.1.6	Comunicação serial	33
16.1.7	Vídeo	33
16.1.8	Interface I/O	33
16.1.9	Câmaras	34
16.1.10	Ambiente.....	34
16.1.11	Certificações	34
16.2	MAXIMUS MVXT.....	35
16.2.1	Mecânica	35
16.2.2	Prensa cabos	35
16.2.3	Janelas para caixa.....	35

16.2.4 Eléctrico	35
16.2.5 Rede	35
16.2.6 Comunicação serial	35
16.2.7 Vídeo	35
16.2.8 Interface I/O	36
16.2.9 Câmaras	36
16.2.10 Ambiente	36
16.2.11 Certificações	36
16.3 MAXIMUS MVXHD.....	37
16.3.1 Mecânica	37
16.3.2 Prensa cabos	37
16.3.3 Janelas para caixa.....	37
16.3.4 Eléctrico	37
16.3.5 Vídeo	37
16.3.6 Rede	38
16.3.7 Interface I/O	38
16.3.8 Câmaras	38
16.3.9 Ambiente	38
16.3.10 Certificações	38
17 Desenhos técnicos	39

1 Informações neste manual

Antes de instalar e utilizar esta unidade, deve ser lida com atenção toda a documentação fornecida. Manter o manual ao alcance da mão para consultas futuras.

1.1 Convenções tipográficas



DANGER!

Perigo de explosão.

Ler com cuidado para evitar o risco de explosão.



DANGER!

Periculosidade alta.

Risco de choque elétrico. Antes de fazer qualquer operação, certificar-se de desligar o produto, salvo indicação em contrário.



ATENÇÃO!

Periculosidade média.

A operação é muito importante para o funcionamento adequado do sistema. Por favor, ler com atenção os passos e executar na forma prescrita.



INFO

Descrição das características do sistema. Por favor, ler com atenção para compreender os próximos passos.

2 Direitos autorais e informações sobre marcas registradas

Os nomes dos produtos ou das empresas citadas são marcas comerciais ou marcas comerciais registradas pertencentes às respectivas sociedades.

3 Normas de segurança



ATENÇÃO! As conexões equipotenciais externas devem ser realizadas utilizando o olhal presente na parte externa do produto. Não deve ser utilizado como borne de proteção.

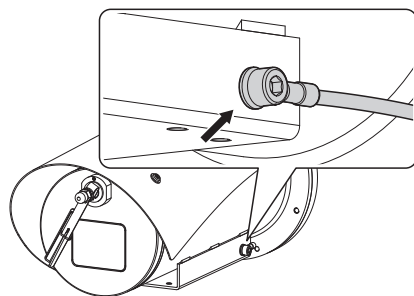


Fig. 1



ATENÇÃO! A instalação elétrica à qual a unidade é ligada deve ter um interruptor de proteção bipolar automático de no 10A max. A distância mínima entre os contatos do interruptor de proteção deve ser de 3mm. O interruptor deve ter uma proteção contra a corrente de falha para terra (diferencial) e sobrecorrente (disjuntor).



ATENÇÃO! O tipo de instalação TNV-1. Não conectar circuitos SELV.



ATENÇÃO! A instalação e a manutenção do dispositivo deve ser efetuada apenas por pessoal técnico especializado.



ATENÇÃO! Para assegurar o tipo de proteção à prova de explosão, substituir os fusíveis por outros do mesmo tipo e valor. Os fusíveis devem ser substituídos somente por pessoal qualificado.



ATENÇÃO! O aparelho deve ser ligado a um condutor de terra (ligação à terra de proteção). A ligação deve ser feita somente através a conexão interna (J7, 8.4 Descrição da placa de conectores, página 21 e 9.2.1 Ligação da linha de alimentação, página 24).

- Ler as instruções.
- Conservar as instruções.
- Preste atenção a todos os avisos.
- Seguir todas as instruções.
- Para reduzir o risco de ignição, não abrir o desligar o dispositivo, na presença de uma atmosfera potencialmente explosiva. Manter o produto fechado durante a utilização.
- A instalação deve ser realizada por pessoal qualificado, de acordo com o código fornecido para referência aplicável IEC/EN60079-14.
- A temperatura da superfície do dispositivo aumenta, no caso da exposição direta à luz do sol. A classe da temperatura da superfície do dispositivo foi calculada apenas em temperatura ambiente, sem considerar a exposição direta à luz solar.
- Escolher uma superfície de instalação suficientemente durável e adequada para suportar o peso da unidade, considerando as condições ambientais particulares, tais como a exposição a ventos fortes.
- Dado que a responsabilidade da escolha da superfície de ancoragem da unidade recai sobre o usuário, o fabricante não fornece os dispositivos de fixagem para a ancoragem da unidade na superfície. O instalador é responsável pela seleção de dispositivos adequados para a superfície de que dispõe. Recomenda-se o uso de métodos e materiais capazes de suportar um peso de, pelo menos, 4 vezes maior do que a do aparelho.
- Antes do fornecimento de energia garantir que o aparelho seja firmemente ancorado.
- O aparelho é destinado para a instalação em uma Posição com Acesso Limitado efetuada por pessoal técnico especializado.
- O isolamento principal deve ser efetuado na parte externa do produto mediante um transformador de segurança e/ou um alimentador com tensão contínua isolado.
- Para alimentar o produto utilizar um transformador de segurança e/ou um alimentador com tensão contínua isolado, com características adequadas. As características de alimentação na saída não devem superar os valores indicados a seguir. Fonte de alimentação: 26.4Vac ou 26.4Vdc max. Corrente abastecida: 5A max.
- O sistema elétrico deve ser fornecido com um seccionador de rede facilmente identificável e útil, caso seja necessário.
- Para ter a assistência técnica, entrar em contato com um profissional qualificado.
- O fabricante exime-se de todas as responsabilidades por eventuais danos derivados do uso impróprio dos aparelhos mencionados neste manual. Reserva-se, no entanto, o direito de modificar o conteúdo sem prévio aviso. A coleta e a verificação da documentação contida neste manual foram efetuadas com muito cuidado. O fabricante, contudo, não pode assumir alguma responsabilidade derivada da utilização da mesma. O mesmo aplica-se para cada pessoa ou sociedade envolvida na criação e produção deste manual.
- Antes de efetuar qualquer operação é preciso desligar a tensão no produto.
- Não usar cabos com sinais de desgaste ou envelhecimento.
- Não efetuar por motivo nenhum alterações ou ligações não previstas neste manual. O uso de aparelhos não apropriados pode causar graves perigos para a segurança do pessoal e da instalação.
- Utilizar apenas peças de reposição originais. Peças de reposição não originais poderão causar incêndios, descargas elétricas ou outros perigos.
- Antes de prosseguir com a instalação, verificar se o material fornecido corresponde às necessidades específicas examinando as etiquetas de marcação (4.2 Etiqueta do produto, página 12).

- Este dispositivo foi projetado para ser fixado e conectado de forma permanente em um edifício ou estrutura adequada. O dispositivo deve ser fixado e conectado de forma permanente antes de efetuar qualquer operação.
- Devem ser respeitadas as normas nacionais para a instalação do dispositivo.
- O sistema elétrico deve ser fornecido com um seccionador de rede facilmente identificável e útil, caso seja necessário.
- Esse é um produto de Classe A. Em um ambiente residencial esse produto pode provocar perturbações rádio. Nesse caso pode ser pedido ao usuário de tomar as medidas adequadas.
- Ligar o dispositivo a uma fonte de alimentação correspondente à indicada na etiqueta de marcação. Antes de prosseguir com a instalação verificar que a linha elétrica esteja adequadamente seccionada. Para dispositivos alimentados em 24Vac a tensão de alimentação não deve exceder os limites ($\pm 10\%$). Para dispositivos alimentados em 12Vdc e 24Vdc a tensão de alimentação não deve exceder os limites ($\pm 5\%$).
- No caso de alimentação em 24Vac, deve ser preparada uma separação adequada da linha de alimentação AC, fornecendo um isolamento duplo ou reforçado entre a linha de alimentação principal e o circuito secundário.
- Para estar em conformidade com os requisitos da norma sobre os abaixamentos e as breves interrupções da tensão de alimentação, utilizar um adequado grupo de continuidade (UPS) para alimentar a unidade.
- Efetuar todas as ligações, as intervenções de instalação e manutenção em uma atmosfera não explosiva.
- A categoria de instalação (também denominada categoria de sobrecarga de tensão) especifica os níveis da tensão transitória de rede à qual o aparelho está sujeito. A categoria depende do lugar de instalação e da presença de dispositivos de proteção contra as sobrecargas de tensão. Um dispositivo para ambientes industriais, conectado nos ramos principais da instalação de alimentação é sujeito à categoria de instalação III. Se for este o caso, é necessária uma redução à categoria II. Pode ser realizado utilizando um transformador de isolamento com blindagem aterrada entre o primário e o secundário, ou mediante o uso de dispositivos de proteção contra as sobrecargas de tensões (SPD), conectados entre a fase e o neutro e entre o neutro e terra. Os dispositivos SPD deverão ser preparados para limitar sobrecargas de tensões transitórias de forma repetitiva e para as seguintes condições nominais de funcionamento: Tipo 2 (Dispositivos SPD conectados permanentemente à rede de alimentação, para instalações do lado da carga do dispositivo de serviço); Corrente nominal de descarga (I_n) mínimo de 20kA. Por exemplo, podem ser utilizados: FERRAZ SHAWMUT, ST23401PG-CN, ST240SPG-CN específicos para 120Vac/240Vac, ($I_n=20kA$). A distância máxima entre a instalação e a redução é de 5m.
- Variações nacionais para a Noruega e a Suécia.: As aparelhagens ligadas ao sistema de aterramento do edifício através da ligação à rede elétrica ou através de outro dispositivo equipado com um sistema de aterramento (e a um sistema de distribuição por cabo utilizando um cabo coaxial) podem, em alguns casos, criar um perigo de incêndio. A ligação a um sistema de distribuição por cabo deve, portanto, ser fornecido através de um dispositivo de fornecimento de um isolamento elétrico abaixo de uma certa faixa de frequência (isolador galvânico, ver EN60728-11). Na Noruega, segundo o regulamento para instalações de sistemas de distribuição por cabo, e na Suécia, um isolador galvânico deve fornecer o isolamento elétrico com uma frequência inferior a 5MHz. O isolamento deve resistir a uma rigidez dielétrica de 1,5kV rms, 50Hz ou 60Hz, durante 1 min.
- Utstyr som er koplett til beskyttelsesjord via nettplugg og/eller via annet jordtilkoplett utstyr - og er tilkoplett et kabel-TV nett, kan forårsake brannfare. For å unngå dette skal det ved tilkopling av utstyret til kabel-TV nettet installeres en galvanisk isolator mellom utstyret og kabel-TV nettet.

3.1 Detalhes do certificado ATEX-IECEx

3.1.1 Temperatura

A relação entre a temperatura ambiente, os grupos de gás e a marcação EX é como indicado em seguida:

DETALHES DE MARCAÇÃO		
Temperatura ambiente	Marcação ATEX	Marcação IECEx
-60°C ≤ Ta ≤ +65°C	⊕ II 2 G Ex db IIC T5 Gb	Ex db IIC T5 Gb
-50°C ≤ Ta ≤ +65°C	⊕ II 2 D Ex tb IIIC T100°C Db IP66/IP68	Ex tb IIIC T100°C Db IP66/IP68
-60°C ≤ Ta ≤ +55°C	⊕ II 2 G Ex db IIC T6 Gb	Ex db IIC T6 Gb
-50°C ≤ Ta ≤ +55°C	⊕ II 2 D Ex tb IIIC T85°C Db IP66/IP68	Ex tb IIIC T85°C Db IP66/IP68

Tab. 1

3.1.2 Características das câmeras de vídeo instaláveis

CARACTERÍSTICAS DAS CÂMERAS DE VÍDEO INSTALÁVEIS				
	Consumo		Dimensões (WxHxL)	
Caixa	Com codificador de vídeo IP	Sem codificador de vídeo IP	Com codificador de vídeo IP	Sem codificador de vídeo IP
MVX	6W	8W	70mmx65mmx120mm	70mmx65mmx140mm
MVXT	6W	8W	70mmx65mmx120mm	70mmx65mmx140mm
MVXHD	6W	8W	70mmx65mmx100mm	70mmx65mmx140mm

Tab. 2

3.1.3 Instruções de instalação

Todos os conectores/prensa-cabos devem ser certificados ATEX/IECEx, de modo apropriado, com tipo de proteção à prova de explosão "db" e/ou "tb", IP66/IP68, adequados para as condições de utilização e instalados corretamente.

Quando for utilizado o conduit deve ser utilizada uma conexão de bloqueio certificada ATEX/IECEx, de modo apropriado, com tipo de proteção à prova de explosão "db" e/ou "tb", IP66/IP68, adequado para as condições de utilização e instalado corretamente. A conexão de bloqueio deve ser colocada dentro de 50mm (1.97in) do dispositivo.

As entradas para os cabos não utilizados devem ser fechadas usando os dispositivos de fechamento certificados ATEX/IECEx, de modo apropriado, com tipo de proteção à prova de explosão "db" e/ou "tb", IP66/IP68, adequados para as condições de utilização e instalados corretamente.

Para uma temperatura ambiente inferior ao -10°C, utilizar cabos adequados à temperatura ambiente mínima.

Devem ser utilizados cabos, prensa-cabos, acessórios ou outros elementos de conexão adequados para resistir a temperatura superior à: +80°C

3.1.4 Instruções de montagem



A caixa pode ser instalada em qualquer posição.

3.1.5 Condições especiais para a utilização segura

- As câmeras a serem instaladas não devem ser eletromagnéticas ou conter lasers, fontes de ondas contínuas ou equipamentos que irradiem energia ultrassônica.
- As câmeras instaláveis não devem conter pilhas ou baterias.
- As câmeras de vídeo devem ser de formas geométricas básicas.
- O espaço entre a câmera de vídeo instalada e a superfície interna da janela da caixa deve ser o seguinte: 4mm

3.1.6 Informações adicionais

O produto superaram os testes de Grau De Proteção em conformidade com EN/IEC60529: IP66, IP68.

4 Identificação

4.1 Descrição e designação do produto

O invólucro à prova de explosão da série MAXIMUS MVX foi projetada para permitir a utilização de câmeras que operem em ambientes industriais nos quais existe a probabilidade que se manifestem atmosferas explosivas devido a gases, vapores, névoas ou misturas de ar e poeiras.

As caixas MAXIMUS MVX são fabricadas em aço inox shot-peening AISI 316L.

A tampa traseira integra a correção interna onde a câmera deve estar posicionada, essa contém também a parte de gerenciamento da eletrônica interna que gerencia a alimentação e os dispositivos de aquecimento do invólucro.

A entrada dos cabos ocorre através de um furo com rosca 3/4" NPT realizado no fundo traseiro. As conexões devem ser feitas em conformidade com IEC/EN60079-14.

As caixas da família MAXIMUS MVX têm um grau de proteção IP66/IP68 e podem ser instaladas nas seguintes temperaturas.

T5: de -60°C até +65°C ou de -50°C até +65°C

T6: de -60°C até +55°C ou de -50°C até +55°C

4.2 Etiqueta do produto

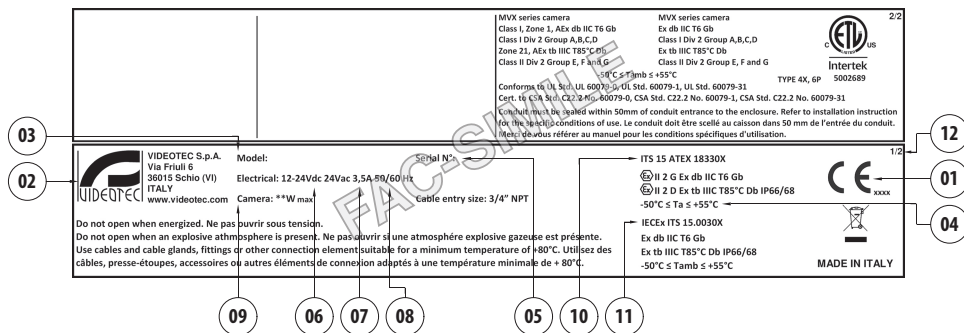


Fig. 2

1. Marcação CE e número do organismo certificado para a verificação da conformidade da produção.
2. Nome e endereço do fabricante
3. Código de identificação do modelo
4. Temperatura ambiente de utilização refere-se ao código de identificação do modelo
5. Número de série (o segundo e o terceiro número indicam o ano de produção)
6. Fonte de alimentação (V)
7. Corrente absorvida (A)
8. Frequência (Hz)
9. Consumo da câmera/óptica (W)
10. Certificado ATEX:
 - Número de certificado ATEX
 - Classificação do tipo de área, tipo de proteção, classe de temperatura para os quais é admitida a utilização deste produto segundo a diretiva ATEX

MARCAÇÃO ATEX		
Temperatura ambiente	Marcação gás	Marcação poeiras
-60°C to +65°C	⊕ II 2 G Ex db IIC T5 Gb	⊕ II 2 D Ex tb IIIC T100°C Db
-50°C to +65°C		
-60°C to +55°C	⊕ II 2 G Ex db IIC T6 Gb	⊕ II 2 D Ex tb IIIC T85°C Db
-50°C to +55°C		

Tab. 3

11. Certificado IECEx:

- Número de certificado IECEx
- Classificação do tipo de área, tipo de proteção, classe de temperatura para os quais é admitida a utilização deste produto segundo a diretiva IECEx

MARCAÇÃO IECEx		
Temperatura ambiente	Marcação gás	Marcação poeiras
-60°C to +65°C	Ex db IIC T5 Gb	Ex tb IIIC T100°C Db
-50°C to +65°C		
-60°C to +55°C	Ex db IIC T6 Gb	Ex tb IIIC T85°C Db
-50°C to +55°C		

Tab. 4

12. Podem estar presentes na caixa etiquetas adicionais que contêm a marcação de outras certificações. As etiquetas serão numeradas e o detalhe da marcação será indicado num documento adicional que acompanhará o produto.

5 Codificação do produto

MAXIMUS MVX - CODIFICAÇÃO DO PRODUTO									
	Tensão		Câmara	Acessórios	Conexão	Saída do vídeo	Modelo	Edição	
MVX	2	12Vdc-24Vdc/24Vac	00 Sem câmara de vídeo	S Sem acessórios	0 Sem cabo, sem prensa-cabo	0 Analógica	00 T5 -60°C/+65°C	A Primeira edição	
			** câmara de vídeo pré-instalada	W Com limpador de para-brisa	* Dispositivos de conexão	Z IP H.264	01 T5 -50°C/+65°C		
							02 T6 -60°C/+55°C		
							03 T6 -50°C/+55°C		

Tab. 5

MAXIMUS MVXT - CODIFICAÇÃO DO PRODUTO									
	Tensão		Câmara	Acessórios	Conexão	Saída do vídeo	Modelo	Edição	Frequência da câmara de vídeo térmica
MVXT	2	12Vdc-24Vdc/24Vac	00 Sem câmara de vídeo	S Sem acessórios	0 Sem cabo, sem prensa-cabo	0 Analógica	00 T5 -60°C/+65°C	A Primeira edição	Vazio 7.5-8.3Hz
			** câmara de vídeo pré-instalada		* Dispositivos de conexão	Z IP H.264	01 T5 -50°C/+65°C	B Segunda edição	H 25-30Hz
							02 T6 -60°C/+55°C		
							03 T6 -50°C/+55°C		

Tab. 6

MAXIMUS MVXHD - CODIFICAÇÃO DO PRODUTO									
	Tensão		Câmara	Acessórios	Conexão	Saída do vídeo	Modelo	Edição	
MVXHD	2	12Vdc-24Vdc/24Vac	00 Sem câmara de vídeo	S Sem acessórios	0 Sem cabo, sem prensa-cabo	0 Sem codificador de vídeo	00 T5 -60°C/+65°C	A Primeira edição	
			** câmara de vídeo pré-instalada	W Com limpador de para-brisa	* Dispositivos de conexão	Z IP H.264	01 T5 -50°C/+65°C	B Segunda edição	
							02 T6 -60°C/+55°C		
							03 T6 -50°C/+55°C		

Tab. 7

6 Versões

6.1 Vidro temperado

O produto pode ser equipado com vidro temperado.

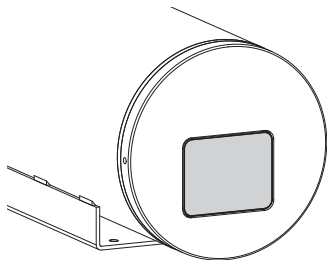


Fig. 3

6.2 Limpador de vidro integrado

O produto pode ser fornecido com um limpador de vidros.

O limpador de vidros integrado pode ser comandado remotamente através de um teclado ou um contato limpo.

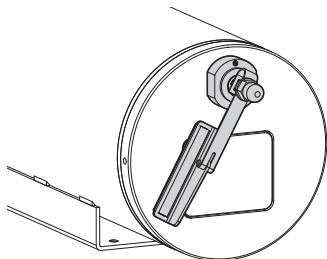


Fig. 4

6.3 Janela em germânio



A grelha de proteção deve estar sempre presente quando a unidade está em funcionamento. A falta de observação desta indicação pode causar graves perigos para a segurança do pessoal e da instalação, além de fazer decair a garantia.

A versão com janela em germânio foi estudada para aplicações com câmeras térmicas.

Esta versão tem uma grelha de proteção em aço inox AISI 316L.

De acordo com a câmera de vídeo escolhida é possível instalar 2 dimensões diferentes de janelas em germânio com suas relativas grades.

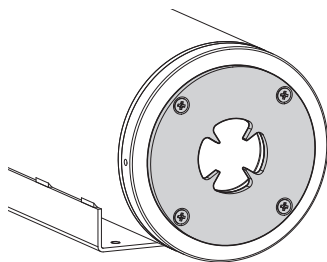


Fig. 5 Grade pequena.

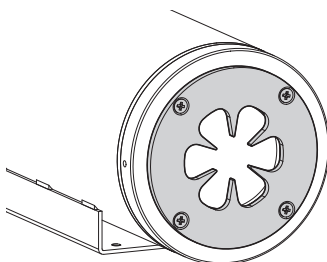


Fig. 6 Grade grande.

7 Preparação do produto para o uso



Quaisquer modificações não expressamente aprovadas pelo fabricante anulam a garantia e a certificação.

7.1 Precauções de segurança antes do uso



Certifique-se de que todos os aparelhos sejam aprovados para a utilização no ambiente no qual serão instalados.



Antes de efetuar qualquer operação é preciso desligar a tensão no produto.



O sistema elétrico deve ser fornecido com um seccionador de rede facilmente identificável e útil, caso seja necessário.



Antes de efetuar qualquer operação é preciso desligar a tensão no produto.



Efetuar as conexões e os testes em laboratório antes da instalação no local. Utilizar as ferramentas adequadas.



Antes de realizar qualquer operação, certificar-se de que a tensão da linha esteja correta.



Dado o peso considerável do aparelho, utilizar um sistema de transporte e movimento adequado. É recomendado ao pessoal de fazê-lo de acordo com as regras comuns para a prevenção de acidentes.

Sempre que o equipamento seja em contato com substâncias agressivas, é responsabilidade do usuário tomar as precauções adequadas para evitar danos e de não comprometer o tipo de proteção.

- **Substâncias agressivas:** Líquidos ou gases ácidos capazes de atacar metais ou solventes que podem afetar materiais poliméricos.
- **Precauções adequadas:** Controles regulares no âmbito das inspeções de rotina ou verificar de acordo com o panfleto técnico da resistência do material aos agentes químicos específicos.

Os usuários finais têm a responsabilidade de verificar se os materiais com os quais o produto foi construído são adequados ao local de instalação previsto. Em caso de dúvida, consultar o fabricante.

7.2 Desembalagem

Na entrega do produto, verificar se a embalagem está íntegra e se possui sinais evidentes de quedas ou abrasões.

Em caso de sinais evidentes de dano à embalagem, contatar imediatamente o fornecedor.

Em caso de restituição do produto defeituoso é recomendada a utilização da embalagem original para o transporte.

Conservar a embalagem caso seja necessário enviar o produto em reparação.

7.3 Conteúdo

Controlar se o conteúdo corresponde à lista do material abaixo indicada:

- Invólucro à prova de explosão
- Espaçadore e parafusos para a montagem do teto
- documentação
- Abraçadeira
- Bainha de silicone
- Kit de reposição do O-ring
- Manuais de instruções
- Cobertura
- Parafusos (montagem do suporte)

7.4 Eliminação segura dos materiais de embalagem

Os materiais de embalagem são constituídos inteiramente por material reciclável. O técnico que fizer a instalação deve eliminá-los segundo as regras de coleta seletiva ou segundo as regras existentes no País de utilização.

7.5 Os trabalhos preparatórios antes da instalação



Executar a instalação utilizando os utensílios adequados. Pode ser necessário o uso de utensílios específicos no local onde o dispositivo será instalado.



O instalador deve garantir a continuidade de aterramento entre o produto instalado e a instalação.



Escolher uma superfície de instalação suficientemente durável e adequada para suportar o peso da unidade, considerando as condições ambientais particulares, tais como a exposição a ventos fortes.



Antes do fornecimento de energia garantir que o aparelho seja firmemente ancorado.



ATENÇÃO! A instalação e a manutenção do dispositivo deve ser efetuada apenas por pessoal técnico especializado.



Para a assistência técnica, entrar em contato com um profissional qualificado.



Uma vez que a responsabilidade da escolha da unidade de superfície de ancoragem recai sobre o usuário, o fabricante não fornece dispositivos para fixar a unidade à superfície. O instalador é, portanto, responsável pela seleção dos dispositivos adequados para a superfície a sua disposição. Em geral, recomenda-se o uso de métodos e materiais capazes de suportar um peso de, pelo menos, 4 vezes maior do que a do aparelho.

A unidade pode ser instalada com diferentes suportes e apoios.

Recomenda-se utilizar exclusivamente acessórios e suportes aprovados para a instalação.

7.5.1 Fixação ao parapeito

Em primeiro lugar fixar a base do adaptador ao local de destino final. Usar parafusos que podem suportar um peso de, pelo menos, 4 vezes maior do que da unidade.

Aplicar uma boa quantidade de trava rosca (Loctite 270).

Apertar os parafusos.

Permitir a ação do trava rosca por uma hora antes de completar a instalação.

É possível fixar a base (01) ao adaptador de coluna NXFWBT utilizando os 4 parafusos escareados (02) fornecidos.

Bloquear a junção (03) à base usando as porcas e arruelas fornecidas.

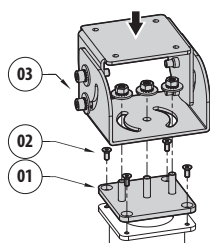


Fig. 7

Fixar o invólucro à junção usando os parafusos e as arruelas fornecidas.

Aplicar uma boa quantidade de trava rosca (Loctite 270).

Apertar os parafusos.

⚠ Prestar atenção durante a fixação. Torque de aperto: De 6Nm até 8Nm.

Permitir a ação do trava rosca por uma hora antes de completar a instalação.

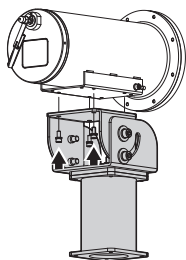


Fig. 8

7.5.2 Fixação com estribo

O suporte pode ser fixado diretamente em um muro vertical. Usar parafusos e elementos de fixação à parede, que pode suportar um peso de, pelo menos, 4 vezes maior do que da unidade.

Para fixar o dispositivo ao suporte utilizar as 4 arruelas planas, 4 arruelas dentadas em aço inox e 4 parafusos hexagonais aço inox fornecidos.

Garantir que os fios sejam livres de sujeira e resíduos.

Aplicar uma boa quantidade de trava rosca (Loctite 270) sobre os 4 parafusos.

Apertar os parafusos.

Permitir a ação do trava rosca por uma hora antes de completar a instalação.

⚠ Prestar atenção durante a fixação. Torque de aperto: De 6Nm até 8Nm.

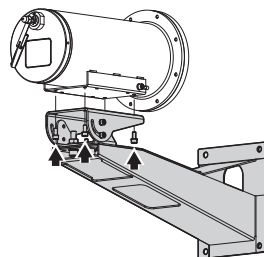


Fig. 9

7.5.3 Fixação com cinto de poste ou módulo adaptador angular

Para instalar o produto na para a haste ou com um ângulo, antes de mais nada, fixar a unidade o suporte de parede (7.5.2 Fixação com estribo, página 18).

7.5.3.1 Fixação com cinto de poste

Para fixar o suporte de parede na estrutura em poste, usar 4 arruelas planas, 4 arruelas de pressão e 4 parafusos sextavados de aço inoxidável (A4 classe 70) a partir M10x30 mm.

Garantir que os fios sejam livres de sujeira e resíduos.

Aplicar uma boa quantidade de veda-rosca (Loctite 270) nos 4 furos com rosca presentes na fixação em poste.

Apertar os parafusos.

⚠ Prestar atenção durante a fixação. Torque de aperto: 35Nm.

Permitir a ação do trava rosca por uma hora antes de completar a instalação.

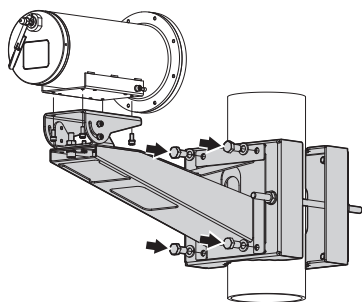


Fig. 10

7.5.3.2 Fixação com módulo angular

Para garantir o suporte à parede para o módulo adaptador de canto, usar 4 arruelas planas, 4 arruelas de pressão e 4 parafusos sextavados de aço inoxidável (A4 classe 70) a partir M10x30 mm.

Garantir que os fios sejam livres de sujeira e resíduos.

Aplicar uma boa quantidade de veda-rosca (Loctite 270) nos 4 furos com rosca presentes no módulo angular.

Apertar os parafusos.

⚠ Prestar atenção durante a fixação. Torque de aperto: 35Nm.

Permitir a ação do trava rosca por uma hora antes de completar a instalação.

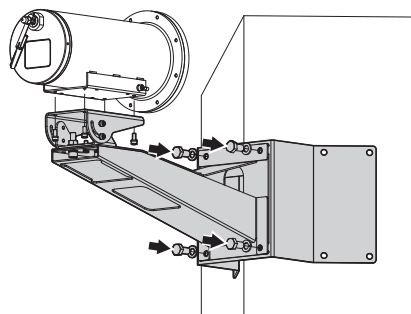


Fig. 11

8 Montagem



Efetuar todas as ligações, as intervenções de instalação e manutenção em uma atmosfera não explosiva.



Certifique-se de que todos os aparelhos sejam aprovados para a utilização no ambiente no qual serão instalados.



ATENÇÃO! A instalação elétrica à qual a unidade é ligada deve ter um interruptor de proteção bipolar automático de no 10A max. A distância mínima entre os contatos do interruptor de proteção deve ser de 3mm. O interruptor deve ter uma proteção contra a corrente de falha para terra (diferencial) e sobrecorrente (disjuntor).



Executar as conexões elétricas em ausência de alimentação e com o dispositivo de seccionamento aberto.



O sistema elétrico deve ser fornecido com um seccionador de rede facilmente identificável e útil, caso seja necessário.



Não usar cabos com sinais de desgaste ou envelhecimento.



ATENÇÃO! A instalação e a manutenção do dispositivo deve ser efetuada apenas por pessoal técnico especializado.



Devem ser respeitadas as normas nacionais para a instalação do dispositivo.



A caixa pode ser instalada em qualquer posição.



As câmeras instaláveis não devem conter pilhas ou baterias.



VIDEOTEC recomenda testar a configuração e o desempenho do equipamento antes de colocar na área de instalação final.

8.1 Campo de utilização

Usando a unidade está definida para a utilização em um local fixo para o monitoramento de áreas com atmosferas potencialmente explosivas classificadas 1-21 ou 2-22.

A unidade é construída e certificada de acordo com a Diretiva 2014/34/UE e padrões IECEx internacionais que definem o campo de aplicação e os requisitos mínimos de segurança.

8.2 Abertura da proteção



Durante as operações de abertura e fechamento do produto prestar atenção para não estragar a junta à prova de explosão.

Para instalar a câmera é necessário abrir a tampa traseira do invólucro.

Desparafusar os parafusos de fechamento do fundo, remover as arruelas e extrair o fundo do corpo da caixa.

Características dos parafusos

- Diâmetro/Passo do parafuso: M5x0.8
- Material: A4 Classe 70
- Cabeça do parafuso: ISO 4762
- Comprimento: 12mm
- Tensão de limite elástico (min): 450N/mm²



Prestar muita atenção durante a abertura da versão com limpador de para-brisa incorporado. Extrair devagar o cursor para não danificar as ligações. Desligar os conectores antes de extrair totalmente o cursor.

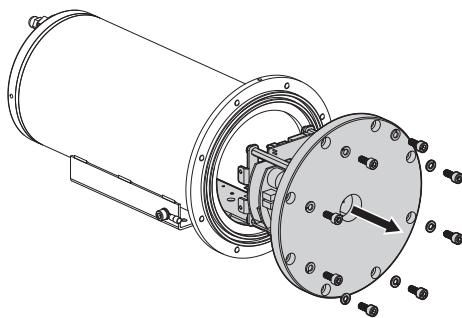


Fig. 12

8.3 Descrição da placa de controle

DESCRIÇÃO DA PLACA	
Conector/ Borne	Função
J1	Linha de Alimentação/Sinal de vídeo (câmera de vídeo analógica)
J2	Sensores do limpador de para-brisa
J3	Relê e alarme (câmera)
J4	Linha de Alimentação (ventilador)
J5	Linha de Alimentação (limpador)
J6	Linha de Alimentação (câmera)
DIP1	Configuração da linha serial

Tab. 8

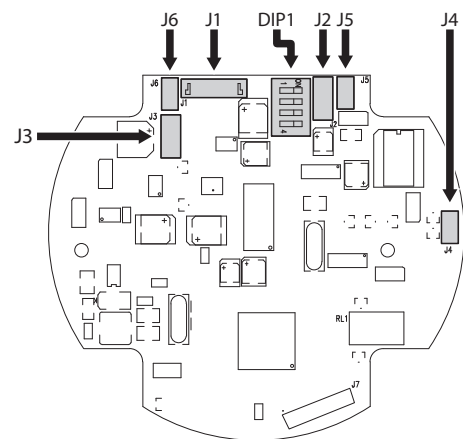


Fig. 13

8.4 Descrição da placa de conectores

DESCRIÇÃO DA PLACA	
Conector/ Borne	Função
J1	Saída do vídeo (digital)
J5	Saída do vídeo (câmera)
J6	Linha de Alimentação (codificador de vídeo IP)
J7	Linha de Alimentação (caixa)
J8	Saída do vídeo (analógica)
J11	Relê, alarmes, linha em série, factory default
J12	Cabos de sinal (codificador de vídeo IP)
J13	Alimentação da câmera
FUS1	Fusível

Tab. 9

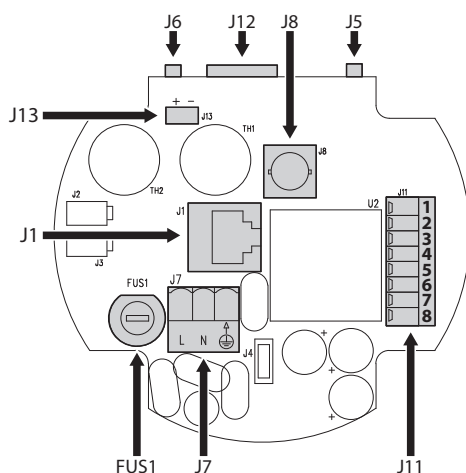


Fig. 14

8.5 Instalação da câmara de vídeo

⚠ As câmeras instaláveis não devem conter pilhas ou baterias.

⚠ Para outras informações sobre as câmeras de vídeo instaláveis consultar o capítulo relativo (3.1.2 Características das câmeras de vídeo instaláveis, página 10).

Montar a câmara/óptica na corrediça interna de modo que a altura da instalação permita uma perfeita visão através da janela.

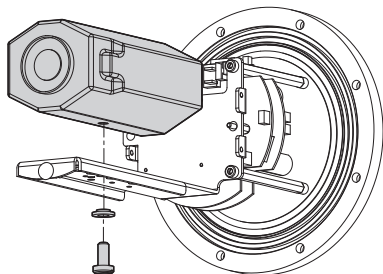


Fig. 15

Distância mínima de instalação entre a câmara de vídeo e o vidro da caixa: 4mm (a distância coincide com a beirada do cursor).

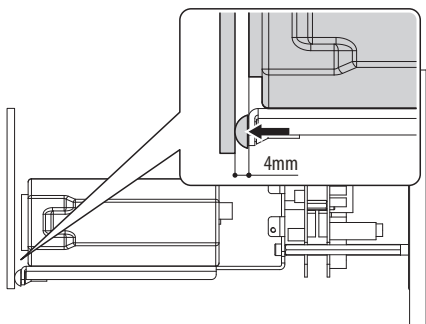


Fig. 16

8.6 Ligação da câmara de vídeo

LIGAÇÃO DA CÂMERA DE VÍDEO			
Versão	Alimentação	Sinal de vídeo	Linhas de comunicações
Versão IP comum	J13 (placa conectores)	Conector da câmara de vídeo/ Ligação direta na câmara de vídeo	-
Versão analógica/ Versão digital SD	J1 (placa de controle)	J1 (placa de controle)	J1 (placa de controle)
Versão digital HD	J6 (placa de controle)	J12 (placa conectores)	J12 (placa conectores)

Tab. 10

i O cabo do sinal de vídeo da versão IP é conectado diretamente na câmara de vídeo.

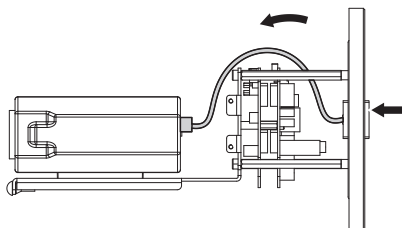





Fig. 17


9 Instalação


 Não abrir o dispositivo se alimentado e na presença de atmosfera explosiva.


 Efetuar todas as ligações, as intervenções de instalação e manutenção em uma atmosfera não explosiva.


 Certifique-se de que todos os aparelhos sejam aprovados para a utilização no ambiente no qual serão instalados.

 **ATENÇÃO!** A instalação elétrica à qual a unidade é ligada deve ter um interruptor de proteção bipolar automático de no 10A max. A distância mínima entre os contatos do interruptor de proteção deve ser de 3mm. O interruptor deve ter uma proteção contra a corrente de falha para terra (diferencial) e sobrecorrente (disjuntor).

 Executar as conexões elétricas em ausência de alimentação e com o dispositivo de seccionamento aberto.

 O sistema elétrico deve ser fornecido com um seccionador de rede facilmente identificável e útil, caso seja necessário.


 Não usar cabos com sinais de desgaste ou envelhecimento.


 **ATENÇÃO!** A instalação e a manutenção do dispositivo deve ser efetuada apenas por pessoal técnico especializado.

 Devem ser respeitadas as normas nacionais para a instalação do dispositivo.

 A caixa pode ser instalada em qualquer posição.

 Isolar eletricamente todos os fios não conectados.

 As câmeras instaláveis não devem conter pilhas ou baterias.

 **VIDEOTEC recomenda testar a configuração e o desempenho do equipamento antes de colocar na área de instalação final.**

9.1 Entrada cabos

Para impedir a propagação de chamas ou de explosão a partir do dispositivo para o sistema de cabo ou conduta, e desta última para o ambiente externo, fazer uma ligação em conformidade com IEC/EN60079-14.

Não use cabos desencapados, a não ser que sejam instalados no interior de um sistema de conduíte.

Todos os prensadores de cabos devem ser certificados ATEX/IECEx, de modo apropriado, com tipo de proteção à prova de explosão "db" e/ou "tb", IP66/IP68, adequados para as condições de utilização e instalados corretamente.

É obrigatório instalar entre a caixa e a área segura um dispositivo com resina (prensa-cabo de barreira ou conexão de bloqueio).

Quando for utilizado o conduit deve ser utilizada uma conexão de bloqueio certificada ATEX/IECEx, de modo apropriado, com tipo de proteção à prova de explosão "db" e/ou "tb", IP66/IP68, adequado para as condições de utilização e instalado corretamente. A conexão de bloqueio deve ser colocada dentro de 50mm (1.97in) do dispositivo.

9.2 Ligação da placa de conectores

9.2.1 Ligação da linha de alimentação



Executar as conexões elétricas em ausência de alimentação e com o dispositivo de seccionamento aberto.



No momento da instalação, controlar se as características de alimentação fornecidas pelo sistema correspondem àquelas solicitadas pelo dispositivo.



ATENÇÃO! O tipo de instalação TNV-1. Não conectar circuitos SELV.



Verificar que a fonte e o cabo de alimentação estejam dimensionados adequadamente.



Para fazer ligações à terra de proteção usando cabos de tamanho adequado: 2.5mm^2 (13AWG).

LIGAÇÃO DA LINHA DE ALIMENTAÇÃO	
Cor	Braçadeiras
Alimentação 24Vac/24Vdc/12Vdc	
Definido pelo instalador	~/+
Definido pelo instalador	~/-
Amarelo/Verde	⊕

Tab. 11

Os cabos de alimentação devem ser conectados no borne de alimentação da placa de conectores prestando atenção onde deve ser fixado o cabo de aterramento (J7, 8.4 Descrição da placa de conectores, página 21).



O cabo de ligação à terra deve ser mais comprido que os outros dois em 10mm, aproximadamente, para prevenir o destacamento accidental por causa do estiramento.



O cabo de alimentação deve ser coberto com a bainha de silicone (01) presente no equipamento. A bainha de silicone deve ser fixada com a respectiva faixa (02).

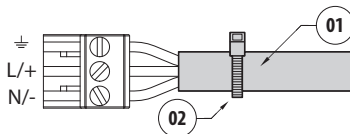


Fig. 18

Com referência ao tipo de alimentação utilizar os comprimentos máximos para os cabos de alimentação contidos na tabela.

ESPECIFICAÇÕES DOS CABOS		
Seção do cabo	Fonte de alimentação	Comprimento máximo do cabo
1mm ² (17AWG)	12Vdc	5m
	24Vdc	15m
	24Vac	30m
1.5mm ² (16AWG)	12Vdc	7m
	24Vdc	25m
	24Vac	45m
2.5mm ² (13AWG)	12Vdc	15m
	24Vdc	40m
	24Vac	80m

Tab. 12

9.2.2 Ligação do cabo de vídeo

⚠ ATENÇÃO! Para reduzir o risco de incêndio, utilizar apenas cabos com seções maiores do que ou iguais a 0.14mm² (26AWG).

Recomenda-se utilizar os seguintes cabos coaxiais:

- RG59
- RG174A/U UL1354

Recomenda-se a utilização de cabos Ethernet com as características a seguir:

- STP (blindado)
- Categoria 5E (ou superior)

9.2.2.1 Ligação do cabo de vídeo (sinal analógico na saída)

O cabo de vídeo na saída da caixa deve ser ligado na saída do vídeo analógica (J8, 8.4 Descrição da placa de conectores, página 21).

9.2.2.2 Ligação do cabo de vídeo (câmara de vídeo IP comum)

i Não conectar o cabo RS-485 e o cabo de vídeo ao usar uma câmara IP.

O cabo de rede Ethernet na saída da caixa deve ser ligado diretamente na câmara de vídeo IP comum.

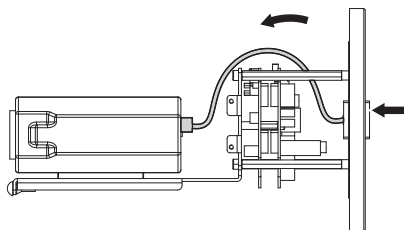


Fig. 19

9.2.2.3 Ligação do cabo de vídeo (sinal digital na saída)

i Não conectar o cabo RS-485 e o cabo de vídeo ao usar uma câmara IP.

O cabo de rede Ethernet na saída da caixa deve ser ligado na saída do vídeo digital (J1, 8.4 Descrição da placa de conectores, página 21).

9.2.3 Ligação dos cabos de sinal

⚠ ATENÇÃO! O tipo de instalação TNV-1. Não conectar circuitos SELV.

i Utilizar um cabo multipolar blindado. Conectar a trança do cabo blindado no terminal 8 (J11, Tab. 13, página 25).

Os cabos de sinal na saída devem ser ligados no conector dos relés, alarmes, linha serial, factory default (J11, 8.4 Descrição da placa de conectores, página 21).

DESCRIÇÃO DO BORNE (J11)	
Contatos do borne	Função
1	RS-485 A (+)
2	RS-485 B (-)
3	Relé 1, Terminal A
4	Relé 1, Terminal B
5	Entrada digital
6	GND
7	Reset
8	Shield

Tab. 13

9.2.3.1 Ligação da linha de série

O produto prevê uma linha em série de comunicação RS-485, Half-duplex, Terminada internamente (o switch 4 do DIP1 está posicionado por padrão em ON).

Para as versões com câmeras de vídeo analógicas, pode ser necessário modificar a configuração. Posicione o switch 4 do DIP1 em OFF para configurar a linha RS-485 como Não terminada internamente (8.3 Descrição da placa de controle, página 21).

Ligar a linha serial ao conector relê, alarmes, linha serial, factory default (J11, borne 1/borne 2, 8.4 Descrição da placa de conectores, página 21).

9.2.3.2 Ligação dos relés



O relé pode ser utilizado com as especificações descritas a seguir. Tensão de funcionamento: até 30Vac ou 60Vdc. Corrente: 1A max. Usando cabos de tamanho adequado com as seguintes características: de 0.25mm² (24AWG) até 1.5mm² (16AWG).

Por causa da ausência de polaridade, ambos terminais de um mesmo relé podem ser utilizados indiferentemente com tensões de correntes alternada ou contínua.

O contato limpo é do tipo NO (normalmente aberto).

9.2.3.3 Ligação do limpador de para-brisa

É possível acionar o limpador remotamente utilizando um contato limpo NO (normalmente aberto). Ligar os cabos do contato limpo no conector dos relés, alarmes, linha serial, factory default (J11, borne 5/borne 6, 8.4 Descrição da placa de conectores, página 21).

Na versão com limpador de para-brisa incorporado conectar os cabos nos conectores dos sensores e da linha de alimentação do limpador de para-brisa. (J2, J5, 8.3 Descrição da placa de controle, página 21).

9.3 Aterramento



ATENÇÃO! As conexões equipotenciais externas devem ser realizadas utilizando o olhal presente na parte externa do produto. Não deve ser utilizado como borne de proteção.

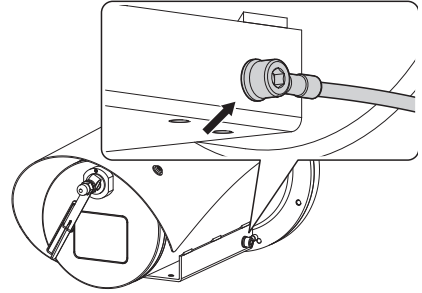


Fig. 20

A ligação equipotencial de terra deve ser efetuada mediante um cabo externo com uma seção mínima e com as características a seguir: 4mm² (11AWG).

Conectar o cabo para a ligação equipotencial de terra com o terminal tipo ilhós fornecido. Adequado para cabos de 4mm² até 6mm².

Fixar o ilhó usando o parafuso (M5) e a arruela dentada fornecidos.

Características do parafuso (M5)

- Material: A4 Classe 70
- Cabeça do parafuso: ISO 4762
- Comprimento: 12mm

À conexão equipotencial de terra é necessário para realizar as conexões adicionais previstos de acordo com a lei.

9.4 Fechamento da proteção

⚠ Testar o funcionamento correto do sistema antes de fechar o produto e utilizá-lo em atmosfera explosiva.

⚠ Durante as operações de abertura e fechamento do produto prestar atenção para não estragar a junta à prova de explosão.

⚠ Antes de fechar o fundo verificar a integridade da guarnição o-ring. Se a guarnição estiver danificada, substituí-la com aquela fornecida com o aparelho.

i Na versão com limpador de vidros integrado conectar os cabos antes de fechar o invólucro (J2, J5, 8.3 Descrição da placa de controle, página 21).

Verificar se há sujeira ou detritos.

Colocar os cabos de tal maneira que não hajam interferências durante o fecho do fundo.

Inserir o fundo no corpo do invólucro mantendo alinhados os furos de fechamento entre fundo e corpo do invólucro.

⚠ Prestar atenção para não danificar a guarnição o-ring.

Aparafusar os parafusos e as arruelas removidas anteriormente

Características dos parafusos

- Diâmetro/Passo do parafuso: M5x0.8
- Material: A4 Classe 70
- Cabeça do parafuso: ISO 4762
- Comprimento: 12mm
- Tensão de limite elástico (min): 450N/mm²

⚠ Usar sempre as arruelas fornecidas para a fixação dos parafusos.

⚠ Prestar atenção durante a fixação. Torque de aperto: De 8Nm até 9Nm.

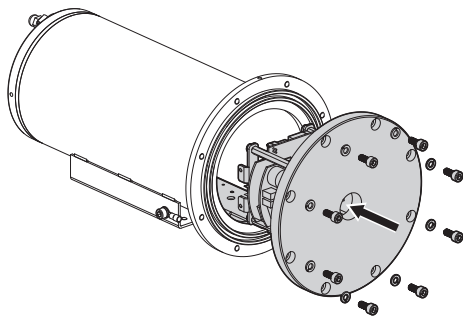


Fig. 21

9.5 Fixação da cobertura

i Antes de fixar o teto da caixa remover a película protetora (se houver).

É possível fixar o teto no estojo utilizando os parafusos fornecidos com o equipamento.

Aplicar uma boa quantidade de trava rosca (Loctite 270) sobre os furos rosqueados.

Permitir a ação do trava rosca por uma hora antes de completar a instalação.

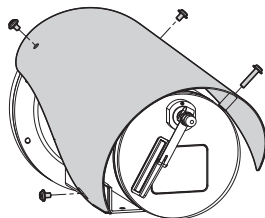


Fig. 22

10 Instruções de funcionamento em segurança

10.1 Funcionamento em condições de segurança



Antes de realizar as seguintes operações, certificar-se de que a tensão de alimentação esteja correta.

10.1.1 Comissionamento

Ler cuidadosamente e completamente este manual antes de efetuar a instalação.

VIDEOTEC recomenda testar a configuração e o desempenho do equipamento antes de colocar na área de instalação final. Utilizar as ferramentas adequadas.

Testar o funcionamento correto do sistema antes de fechar o produto e utilizá-lo em atmosfera explosiva.

Garantir que todos os aparelhos sejam certificados para a aplicação no ambiente no qual serão instalados.

Para reduzir o risco de ignição, não abrir o dispositivo, na presença de uma atmosfera potencialmente explosiva.

Depois da colocação em funcionamento, arquivar o presente manual em um local seguro para consultas futuras.

10.1.2 Requisitos de segurança

Certificar-se de que tenham sido compreendidas todas as prescrições de segurança sobre a segurança do pessoal.

Garantir de ter desligado a alimentação antes de executar qualquer operação.

Antes da alimentação do sistema, instalar um dispositivo de proteção na instalação elétrica do edifício.

A instalação elétrica deve cumprir com os regulamentos locais.

A instalação deve ser realizada por pessoal qualificado.

10.1.3 Requisitos para a prevenção de explosões

Usar ferramentas apropriadas para a área de atuação.

É importante recordar-se que o dispositivo deve ser conectado a uma ligação de terra elétrica adequada.

Antes de realizar intervenções técnica no aparelho, certificar-se de que não haja atmosfera potencialmente explosiva.

Antes de realizar qualquer operação desligar o fornecimento de energia.


Não abrir qualquer tampa e se você estiver na presença de uma atmosfera explosiva.


- Efetuar todas as ligações, as intervenções de instalação e manutenção em uma atmosfera não explosiva.

11 Acendimento


Conectar a alimentação elétrica para ligar a unidade.
Desligar a alimentação elétrica para desligar a unidade.


11.1 Antes de alimentar a unidade em uma atmosfera potencialmente explosiva

 Garantir que a unidade e os outros componentes do sistema estejam fechados de maneira adequada para impedir o contato com componentes sob tensão.

 Garantir que o aparelho tenha sido conectado a uma ligação à terra na forma indicada neste manual.


 Confirme que o fundo posterior está fechado corretamente.

 Certificar-se que a selagem dos sistemas de entrada de cabos (se presente) tenha sido realizada corretamente deixando agir o preparado para a selagem até ao endurecimento completo.


 Garantir que todos os componentes sejam instalados de modo seguro.


12 Manutenção


 Antes de realizar intervenções técnicas no aparelho, certificar-se de que não haja atmosfera potencialmente explosiva.


 ATENÇÃO! A instalação e a manutenção do dispositivo deve ser efetuada apenas por pessoal técnico especializado.


 Antes de efetuar intervenções técnicas no aparelho, remover a fonte de alimentação.

 O fabricante exime-se de todas as responsabilidades por eventuais danos, de todos os aparelhos mencionados neste manual, derivados da violação, uso de peças de reposição não originais, instalações, manutenção e reparação efetuadas por pessoal não preparado.

 Em caso de danos, a substituição ou reparação das partes envolvidas deve ser efetuada pela VIDEOTEC ou sob a supervisão da mesma.

 Qualquer substituição de peças indicadas deve ser feita usando apenas peças de reposição originais VIDEOTEC seguindo cuidadosamente as instruções de manutenção incluídas em cada peça do kit.

 Contatar o fabricante para informações sobre as dimensões da junta a prova de explosão.

 É aconselhável, em todos os eventos de manutenção, reconduzir o produto ao laboratório para realizar as operações necessárias.

Quando for contactado o serviço técnico de VIDEOTEC é necessário fornecer o número de série juntamente com um código de identificação do aparelho.

12.1 Substituição dos fusíveis

⚠ ATENÇÃO! Para assegurar o tipo de proteção à prova de explosão, substituir os fusíveis por outros do mesmo tipo e valor. Os fusíveis devem ser substituídos somente por pessoal qualificado.

O fusível utilizado está descrito a seguir.

SUBSTITUIÇÃO DOS FUSÍVEIS	
Fonte de alimentação	Fusível (FUS1)
12Vdc	T 2A H 250V 5x20
24Vdc	T 2A H 250V 5x20
24Vac, 50/60Hz	T 2A H 250V 5x20

Tab. 14

Como alternativa utilizar um fusível homologado com características iguais.

É necessário desparafusar os parafusos que fixam o cursor nos espaçadores do fundo e desconectar os conectores da placa.

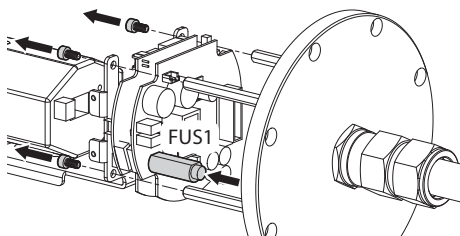
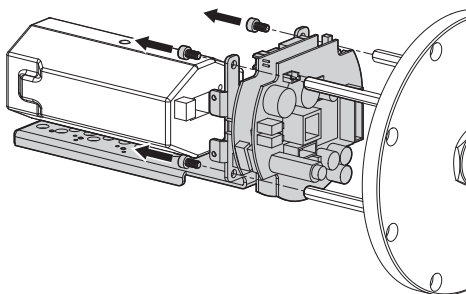


Fig. 23

12.2 Substituição do cursor



É necessário desparafusar os parafusos que fixam o cursor nos espaçadores do fundo e desconectar os conectores da placa.

Fig. 24

12.3 Substituição da guarnição da tampa traseira

No caso de deterioração da guarnição o-ring substituí-la utilizando aquela fornecida com o aparelho. Na ausência da guarnição fornecida utilizar somente peças de reposição originais VIDEOTEC.

Substituir a guarnição prestando atenção a inseri-la corretamente no seu alojamento.

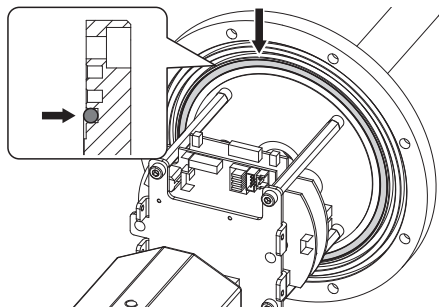


Fig. 25

12.4 Substituição da palheta do limpador

Nos modelos dotados de limpador as palhetas gastas podem ser substituídas.

Desparafuse a porca-calota que fixam a palheta e retire-a. Substitua a palheta gasta por uma nova. Recoloque a porca-calota regulando a fixação até que a palheta se ajuste corretamente ao vidro. Acione o limpador para verificar se a regulagem da palheta está correta.

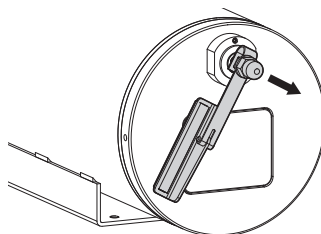


Fig. 26

13 Limpeza

i A frequência das intervenções depende do tipo do ambiente no qual é utilizado o produto.

13.1 Limpeza do vidro

A limpeza deve ser feita com água ou com outro líquido detergente que não crie situações de perigo.

13.2 Limpeza da janela em vidro ao germânio

! A grelha de proteção deve estar sempre presente quando a unidade está em funcionamento. A falta de observação desta indicação pode causar graves perigos para a segurança do pessoal e da instalação, além de fazer decair a garantia.

! Evitar álcool etílico, solventes, hidrocarbonetos hidrogenados, ácidos fortes e álcalis. A utilização desses produtos danifica de maneira irreparável a superfície tratada.

! Limpar a janela prestando atenção para não arranhar ou riscar a superfície externa tratada com revestimento de carbono. Danificando esse revestimento há o risco de comprometer a transparência ao infravermelho da superfície.

A limpeza deve ser efetuada com sabão neutro diluído com água.

Remover a grelha de proteção desapertando os parafusos e arruelas presentes na parte frontal do invólucro utilizando uma ferramenta anti-faísca.

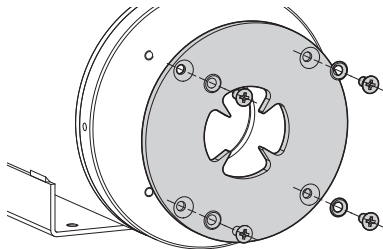


Fig. 27 Grade pequena.

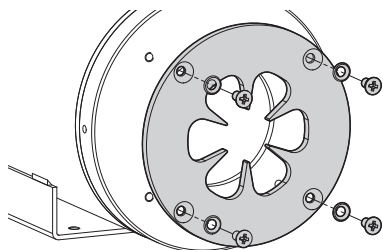


Fig. 28 Grade grande.

Uma vez realizada a limpeza voltar a montar a grelha de proteção com os respectivos parafusos e arruelas.

13.3 Limpeza do produto

! Na superfície externa do produto nunca deve estar presente um acúmulo de poeira superior a 5mm.

A limpeza deve ser efetuada com um pano úmido e sem a utilização de ar comprimido.

14 Informações sobre descarte e reciclagem

A Diretiva Europeia 2012/19/UE sobre Resíduos de equipamentos elétricos e eletrônicos (REEE) prevê que esses equipamentos não sejam descartados no fluxo normal dos resíduos sólidos urbanos, mas coletados separadamente para otimizar o fluxo de recuperação e reciclagem dos materiais componentes e impedir possíveis danos para a saúde e para o meio ambiente em razão da presença de substâncias potencialmente perigosas.



O símbolo da lixeira cruzada está presente em todos os produtos para lembrar.

Os resíduos podem ser entregues aos centros de coleta apropriados ou, gratuitamente, ao distribuidor de que o equipamento foi comprado quando da aquisição de um equivalente novo, ou, sem obrigação, da aquisição de um novo equipamento com dimensões inferiores a 25cm.

Para mais informações sobre o descarte correto destes equipamentos, entre em contato com o serviço público responsável.

15 Solução de problemas



Para qualquer problemática não descrita ou se os problemas indicados a seguir porventura persistirem, entrar em contato com o centro de assistência autorizado.

PROBLEMA	O produto não se acende.
CAUSA	Cabeamento incorreto, rompimento do fusível.
SOLUÇÃO	Verificar a correta execução das conexões. Verifique o estado do fusível, se estiver rompido, substitua-o pelo modelo indicado.
PROBLEMA	O limpador de vidros está bloqueado e não responde aos comandos.
CAUSA	Limpador de vidro bloqueado ou quebrado.
SOLUÇÃO	Verifique se o limpa-vidros pode mover-se livremente. Verificar que os cabos do limpador de para-brisa não estejam desligados ou danificados.

16 Dados técnicos

16.1 MAXIMUS MVX

16.1.1 Mecânica

Teto guarda-sol

Limpador de vidro integrado

Peso da unidade:

- 6kg (somente caixa)
- 8.5kg (estojo com cabo multipolar armado de 4m)
- 12kg (estojo com cabo multipolar armado de 10m)

16.1.2 Prensa cabos

Entrada dos cabos: 1 furo, 3/4", NPT

Prensa-cabo Ex db 3/4"NPT e cabo multipolar armado pré-instalado de 4m/10m o cabos componentes de 4m/10m !da duplicazione! (para instalação com conduítes, portaconduíte e conduíte não estão incluídos)

16.1.3 Janelas para caixa

Material: Vitro temperado

- Dimensões: 51x41mm
- Espessura: 12mm

16.1.4 Elétrico

Fonte de alimentação/Corrente absorvida (resfriamento acionado, Ton 15°C±3°C, Toff 22°C±3°C):

- 24Vac ±10%, 2.2A, 50/60Hz
- 24Vdc ±5%, 2.2A
- 12Vdc ±5%, 3.5A

16.1.5 Rede

Conexão Ethernet (Apenas para versões IP do produto): 10BASE-T/100BASE-T

Conector: RJ45

Comprimento do cabo: 100m max

16.1.6 Comunicação serial

Interface serial

- Linha RS-485, half-duplex
- Comprimento do cabo: 1200m max
- Unidades endereçáveis: 255 (configuração mediante OSM)

Protocolo de comunicação em série

- PANASONIC 850: 9600baud, 19200baud
- PELCO D: 2400baud, 9600baud
- VIDEOTEC MACRO: 9600baud, 38400baud

16.1.7 Vídeo

Codificador de vídeo

- Protocolo de comunicação: ONVIF, Perfil S
- Configuração do dispositivo: TCP/IPv4-IPV6, UDP/IPv4-IPV6, HTTP, NTP, DHCP, WS-DISCOVERY, QoS, IGMP (Multicast)
- Streaming: RTSP, RTCP, RTP/IPv4
- Compressão de vídeo: H.264/AVC, MJPEG
- Fluxos de vídeo independentes: 2
- Resolução imagem: de Full D1 (720x576 para o PAL, 720x480 para NTSC) a 352x240
- Web Server

16.1.8 Interface I/O

Placa alarme I/O

- Entradas alarme: 1
- Sair relê: 1 (1A, 30Vac/60Vdc max)

Comprimento do cabo: 200m max

Versão com limpador de para-brisa incorporado

- Ativação do limpador de para-brisa por remoto: 1 entrada, contato limpo NO

16.1.9 Câmaras

Potência absorvida (total, câmara de vídeo e ótica)

- Sem codificador de vídeo IP: 8W
- Com codificador de vídeo IP: 6W

Distância entre a câmara e a janela do invólucro:
4mm

Dimensões das câmaras de vídeo/Óticas instaláveis
(WxHxL)

- Sem codificador de vídeo: 70x65x140mm
- Com codificador de vídeo: 70mmx65mmx120mm

16.1.10 Ambiente

Instalação para ambientes internos e externos

Temperatura de operação:

- Inicialização a frio de -40°C até +65°C
- Em funcionamento de -50°C até +65°C

Umidade relativa: de 10% até 95% (sem
condensação)

16.1.11 Certificações

ATEX (EN 60079-0: 2012, EN 60079-1: 2014, EN 60079-31: 2014)

- ⊕ II 2 G Ex db IIC T5 Gb
- ⊕ II 2 D Ex tb IIIC T100°C Db IP66/IP68
-60°C ≤ Ta ≤ +65°C
- ⊕ II 2 G Ex db IIC T5 Gb
- ⊕ II 2 D Ex tb IIIC T100°C Db IP66/IP68
-50°C ≤ Ta ≤ +65°C
- ⊕ II 2 G Ex db IIC T6 Gb
- ⊕ II 2 D Ex tb IIIC T85°C Db IP66/IP68
-60°C ≤ Ta ≤ +55°C
- ⊕ II 2 G Ex db IIC T6 Gb
- ⊕ II 2 D Ex tb IIIC T85°C Db IP66/IP68
-50°C ≤ Ta ≤ +55°C

IECEx (IEC 60079-0: 2011 Ed.6, IEC 60079-1: 2014-06
Ed.7, IEC 60079-31: 2013 Ed.2)

- Ex db IIC T5 Gb
- Ex tb IIIC T100°C Db IP66/IP68
-60°C ≤ Ta ≤ +65°C
- Ex db IIC T5 Gb
- Ex tb IIIC T100°C Db IP66/IP68
-50°C ≤ Ta ≤ +65°C
- Ex db IIC T6 Gb
- Ex tb IIIC T85°C Db IP66/IP68
-60°C ≤ Ta ≤ +55°C
- Ex db IIC T6 Gb
- Ex tb IIIC T85°C Db IP66/IP68
-50°C ≤ Ta ≤ +55°C

TYPE 6P, TYPE 4X (UL50E)

IP69 (EN/IEC60529), somente caixa

IP66/IP67/IP68 (2 horas, 5m, EN/IEC60529)

16.2 MAXIMUS MVXT

16.2.1 Mecânica

Teto guarda-sol

Peso da unidade:

- 6kg (somente caixa)
- 8.5kg (estojo com cabo multipolar armado de 4m)
- 12kg (estojo com cabo multipolar armado de 10m)

16.2.2 Prensa cabos

Entrada dos cabos: 1 furo, 3/4", NPT

Prensa-cabo Ex db 3/4"NPT e cabo multipolar armado pré-instalado de 4m/10m o cabos componentes de 4m/10m !da duplicazione! (para instalação com conduítes, portaconduíte e conduíte não estão incluídos)

16.2.3 Janelas para caixa

Janela em germânio (grade grande)

- Diâmetro util: 57mm
- Espessura: 10mm
- Tratamento externo: anti-risco (Hard Carbon Coating - DLC), anti-reflexo
- Tratamento interno: anti-reflexo
- Faixa espectral: de 7.5µm até 14µm
- Transmittância média (de 7.5µm até 11.5µm): 87.3%
- Transmittância média (de 11.5µm até 14µm): 67.3%

Janela em germânio (grade pequena)

- Diâmetro util: 40mm
- Espessura: 8mm
- Tratamento externo: anti-risco (Hard Carbon Coating - DLC), anti-reflexo
- Tratamento interno: anti-reflexo
- Faixa espectral: de 7.5µm até 14µm
- Transmittância média (de 7.5µm até 11.5µm): 87.5%
- Transmittância média (de 11.5µm até 14µm): 72.1%

16.2.4 Elétrico

Fonte de alimentação/Corrente absorvida (resfriamento acionado, Ton 15°C±3°C, Toff 22°C±3°C):

- 24Vac ±10%, 2.2A, 50/60Hz
- 24Vdc ±5%, 2.2A
- 12Vdc ±5%, 3.5A

16.2.5 Rede

Conexão Ethernet (Apenas para versões IP do produto): 10BASE-T/100BASE-T

Conector: RJ45

Comprimento do cabo: 100m max

16.2.6 Comunicação serial

Interface serial

- Linha RS-485, half-duplex
- Comprimento do cabo: 1200m max
- Unidades endereçáveis: 255 (configuração mediante OSM)

Protocolo de comunicação em série

- PANASONIC 850: 9600baud, 19200baud
- PELCO D: 2400baud, 9600baud
- VIDEOTEC MACRO: 9600baud, 38400baud

16.2.7 Vídeo

i Para identificar o modelo do codificador de vídeo instalado, é necessário comparar o código do produto constante da etiqueta de marcação com a tabela de códigos (5 Codificação do produto, página 14). Na coluna edição é possível identificar o modelo (A ou B).

Codificador de vídeo (Edição A)

- Protocolo de comunicação: ONVIF, Perfil S
- Configuração do dispositivo: TCP/IPv4-IPV6, UDP/IPv4-IPV6, HTTP, NTP, DHCP, WS-DISCOVERY, QoS, IGMP (Multicast)
- Streaming: RTSP, RTCP, RTP/IPv4
- Compressão de vídeo: H.264/AVC, MJPEG
- Fluxos de vídeo independentes: 2
- Resolução imagem: de Full D1 (720x576 para o PAL, 720x480 para NTSC) a 352x240
- Web Server

Codificador de vídeo (Edição B)

- Protocolo de comunicação: ONVIF, perfil S e perfil Q
- Streaming: RTSP, RTCP, RTP/IPv4, Multicast
- Compressão de vídeo: H.264/AVC, MJPEG, MPEG4, JPEG
- Até 3 fluxos de vídeo simultâneos
- Resolução imagem: de Full D1 (720x576 para o PAL, 720x480 para NTSC) a 352x240
- Frame rate configurável de 1 até 60 imagens por segundo (fps)
- Web Server

16.2.8 Interface I/O

Placa alarme I/O

- Entradas alarme: 1
- Sair relé: 1 (1A, 30Vac/60Vdc max)

Comprimento do cabo: 200m max

16.2.9 Câmaras

Potência absorvida (total, câmera de vídeo e ótica)

- Sem codificador de vídeo IP: 8W
- Com codificador de vídeo IP: 6W

Distância entre a câmera e a janela do invólucro:
4mm

Dimensões das câmaras de vídeo/Óticas instaláveis
(WxHxL)

- Sem codificador de vídeo: 70x65x140mm
- Com codificador de vídeo: 70mmx65mmx120mm

16.2.10 Ambiente

Instalação para ambientes internos e externos

Temperatura de operação:

- Inicialização a frio de -40°C até +65°C
- Em funcionamento de -50°C até +65°C

Umidade relativa: de 10% até 95% (sem condensação)

16.2.11 Certificações

ATEX (EN 60079-0: 2012, EN 60079-1: 2014, EN 60079-31: 2014)

- ⊕ II 2 G Ex db IIC T5 Gb
- ⊕ II 2 D Ex tb IIIC T100°C Db IP66/IP68
-60°C ≤ Ta ≤ +65°C
- ⊕ II 2 G Ex db IIC T5 Gb
- ⊕ II 2 D Ex tb IIIC T100°C Db IP66/IP68
-50°C ≤ Ta ≤ +65°C
- ⊕ II 2 G Ex db IIC T6 Gb
- ⊕ II 2 D Ex tb IIIC T85°C Db IP66/IP68
-60°C ≤ Ta ≤ +55°C
- ⊕ II 2 G Ex db IIC T6 Gb
- ⊕ II 2 D Ex tb IIIC T85°C Db IP66/IP68
-50°C ≤ Ta ≤ +55°C

IECEx (IEC 60079-0: 2011 Ed.6, IEC 60079-1: 2014-06 Ed.7, IEC 60079-31: 2013 Ed.2)

- Ex db IIC T5 Gb
- Ex tb IIIC T100°C Db IP66/IP68
-60°C ≤ Ta ≤ +65°C
- Ex db IIC T5 Gb
- Ex tb IIIC T100°C Db IP66/IP68
-50°C ≤ Ta ≤ +65°C
- Ex db IIC T6 Gb
- Ex tb IIIC T85°C Db IP66/IP68
-60°C ≤ Ta ≤ +55°C
- Ex db IIC T6 Gb
- Ex tb IIIC T85°C Db IP66/IP68
-50°C ≤ Ta ≤ +55°C

TYPE 6P, TYPE 4X (UL50E)

IP69 (EN/IEC60529), somente caixa

IP66/IP67/IP68 (2 horas, 5m, EN/IEC60529)

16.3 MAXIMUS MVXHD

16.3.1 Mecânica

Teto guarda-sol

Limpador de vidro integrado

Peso da unidade:

- 6kg (somente caixa)
- 8.5kg (estojo com cabo multipolar armado de 4m)
- 12kg (estojo com cabo multipolar armado de 10m)

16.3.2 Prensa cabos

Entrada dos cabos: 1 furo, 3/4", NPT

Prensa-cabo Ex db 3/4"NPT e cabo multipolar armado pré-instalado de 4m/10m o cabos componentes de 4m/10m Ida duplicazione! (para instalação com conduítes, portaconduíte e conduíte não estão incluídos)

16.3.3 Janelas para caixa

Material: Vitro temperado

Dimensões: 51x41mm

Espessura: 12mm

16.3.4 Elétrico

Fonte de alimentação/Corrente absorvida (resfriamento acionado, Ton 15°C±3°C, Toff 22°C±3°C):

- 24Vac ±10%, 2.2A, 50/60Hz
- 24Vdc ±5%, 2.2A
- 12Vdc ±5%, 3.5A

16.3.5 Vídeo

i Para identificar o modelo do codificador de vídeo instalado, é necessário comparar o código do produto constante da etiqueta de marcação com a tabela de códigos (5 Codificação do produto, página 14). Na coluna edição é possível identificar o modelo (A ou B).

Codificador de vídeo (Edição A)

- Protocolo de comunicação: ONVIF, Perfil S
- Configuração do dispositivo: TCP/IPv4-IPv6, UDP/IPv4-IPv6, HTTP, HTTPS, NTP, DHCP, WSDISCOVERY, QoS, DSCP, IGMP (Multicast), SOAP, DNS, SNMP
- Streaming: RTSP, RTCP, RTP/IPv4, Multicast
- Compressão de vídeo: H.264/AVC, MJPEG
- 2 fluxos de vídeo independentes Full HD ou 4 fluxos de vídeo independentes de acordo com a configuração
- Resolução imagem: de FullHD com 352x240 em 18 passos
- Frame rate configurável de 1 até 60 imagens por segundo (fps)
- Web Server
- Motion Detection

Codificador de vídeo (Edição B)

- Protocolo de comunicação: ONVIF, perfil S e perfil Q
- Configuração do dispositivo: TCP/IPv4-IPv6, UDP/IPv4-IPv6, HTTP, HTTPS, NTP, DHCP, WS-DISCOVERY, DSCP, IGMP (Multicast), SOAP, DNS
- Streaming: RTSP, RTCP, RTP/IPv4, HTTP, Multicast
- Compressão de vídeo: H.264/AVC, MJPEG, JPEG, MPEG4
- 3 fluxos de vídeo independentes Full HD
- Resolução imagem: de 320x180 até 1920x1080 em 6 passos
- Frame rate configurável de 1 até 60 imagens por segundo (fps)
- Web Server
- Motion Detection

16.3.6 Rede

Conexão Ethernet

- Codificador de vídeo A: 10BASE-T/100BASE-T
- Codificador de vídeo B: 100BASE-TX

Conector: RJ45

Comprimento do cabo: 100m max

16.3.7 Interface I/O

Placa alarme I/O

- Entradas alarme: 1
- Sair relê: 1 (1A, 30Vac/60Vdc max)

Comprimento do cabo: 200m max

16.3.8 Câmaras

Potência absorvida (total, câmera de vídeo e ótica)

- Sem codificador de vídeo IP: 8W
- Com codificador de vídeo IP: 6W

Distância entre a câmera e a janela do invólucro:
4mm

Dimensões das câmeras de vídeo/Óticas instaláveis
(WxHxL)

- Sem codificador de vídeo: 70x65x140mm
- Com codificador de vídeo: 70mmx65mmx100mm

16.3.9 Ambiente

Instalação para ambientes internos e externos

Temperatura de operação:

- Inicialização a frio de -40°C até +65°C
- Em funcionamento de -50°C até +65°C

Umidade relativa: de 10% até 95% (sem condensação)

16.3.10 Certificações

ATEX (EN 60079-0: 2012, EN 60079-1: 2014, EN 60079-31: 2014)

- Ⓜ II 2 G Ex db IIC T5 Gb
- Ⓜ II 2 D Ex tb IIIC T100°C Db IP66/IP68
-60°C ≤ Ta ≤ +65°C
- Ⓜ II 2 G Ex db IIC T5 Gb
- Ⓜ II 2 D Ex tb IIIC T100°C Db IP66/IP68
-50°C ≤ Ta ≤ +65°C
- Ⓜ II 2 G Ex db IIC T6 Gb
- Ⓜ II 2 D Ex tb IIIC T85°C Db IP66/IP68
-60°C ≤ Ta ≤ +55°C
- Ⓜ II 2 G Ex db IIC T6 Gb
- Ⓜ II 2 D Ex tb IIIC T85°C Db IP66/IP68
-50°C ≤ Ta ≤ +55°C

IECEX (IEC 60079-0: 2011 Ed.6, IEC 60079-1: 2014-06 Ed.7, IEC 60079-31: 2013 Ed.2)

- Ex db IIC T5 Gb
- Ex tb IIIC T100°C Db IP66/IP68
-60°C ≤ Ta ≤ +65°C
- Ex db IIC T5 Gb
- Ex tb IIIC T100°C Db IP66/IP68
-50°C ≤ Ta ≤ +65°C
- Ex db IIC T6 Gb
- Ex tb IIIC T85°C Db IP66/IP68
-60°C ≤ Ta ≤ +55°C
- Ex db IIC T6 Gb
- Ex tb IIIC T85°C Db IP66/IP68
-50°C ≤ Ta ≤ +55°C

TYPE 6P, TYPE 4X (UL50E)

IP69 (EN/IEC60529), somente caixa

IP66/IP67/IP68 (2 horas, 5m, EN/IEC60529)

17 Desenhos técnicos



As medidas indicadas estão expressas em milímetros.

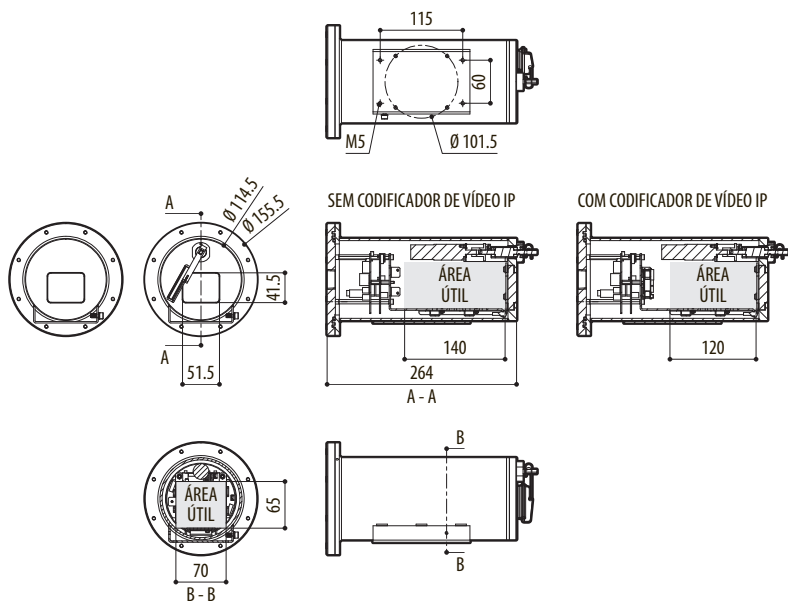


Fig. 29 MAXIMUS MVX.

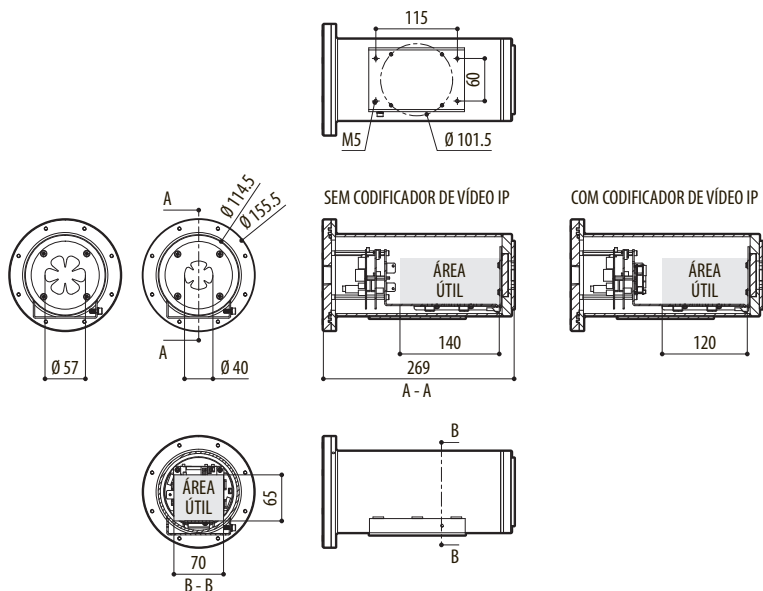


Fig. 30 MAXIMUS MVXT.

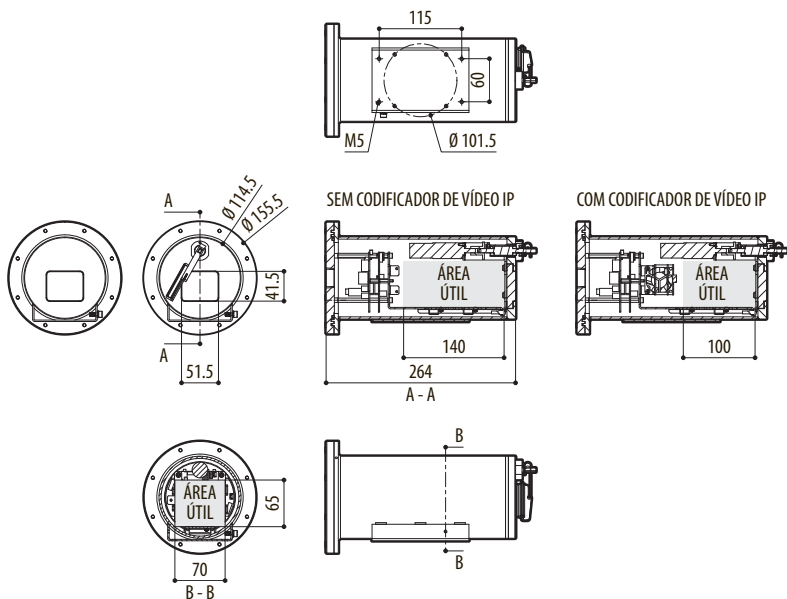


Fig. 31 MAXIMUS MVXHD.

Headquarters Italy Videotec S.p.A.
Via Friuli, 6 - I-36015 Schio (VI) - Italy
Tel. +39 0445 697411 - Fax +39 0445 697414
Email: info@videotec.com

Asia Pacific Videotec (HK) Ltd
Flat 8, 19/F. On Dak Industrial Building, No. 2-6 Wah Sing Street
Kwai Chung, New Territories - Hong Kong
Tel. +852 2333 0601 - Fax +852 2311 0026
Email: info.hk@videotec.com

France Videotec France SARL
Immeuble Le Montreal, 19bis Avenue du Québec, ZA de Courtaoef
91140 Villebon sur Yvette - France
Tel. +33 1 60491816 - Fax +33 1 69284736
Email: info.fr@videotec.com

Americas Videotec Security, Inc.
Gateway Industrial Park, 35 Gateway Drive, Suite 100
Plattsburgh, NY 12901 - U.S.A.
Tel. +1 518 825 0020 - Fax +1 518 825 0022
Email: info.usa@videotec.com



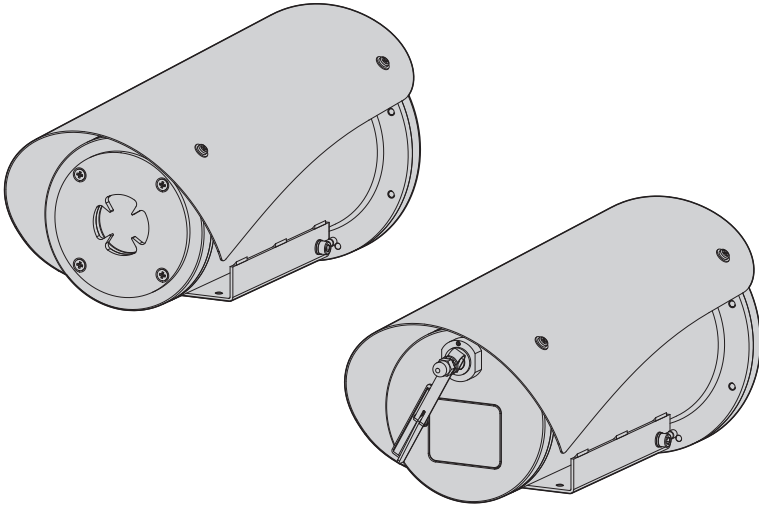
www.videotec.com
MNVCMVXTHD_1813_PT



MAXIMUS MVX, MAXIMUS MVXT, MAXIMUS MVXHD

스테인리스 스틸의 반폭발성 하우징

핸드북을 A



1 설명서에 있는 정보들	7
1.1 인쇄합의.....	7
2 저작권 및 상표에 대한 정보들 주의사항	7
3 안전규칙	7
3.1 인증된 ATEX-IECEEx의 세부사항들.....	10
3.1.1 온도.....	10
3.1.2 설치 가능한 카메라의 특성	10
3.1.3 설치 지침서.....	10
3.1.4 조립 지침서.....	11
3.1.5 안전한 사용에 대한 특별한 조건들.....	11
3.1.6 추가한 정보들	11
4 식별	11
4.1 설명과 제품의 명시.....	11
4.2 제품의 검인	12
5 제품 코드	14
6 버전들	15
6.1 강화된 유리	15
6.2 통합 와이퍼	15
6.3 게르마늄 창	15
7 사전에 대한 제품 준비	16
7.1 사용 전에 안전 예방조치.....	16
7.2 포장 풀기	17
7.3 내용물	17
7.4 포장 재료의 안전한 폐기.....	17
7.5 설치 전에 준비 작업.....	17
7.5.1 난간에 고정.....	18
7.5.2 브래킷으로 고정하기.....	18
7.5.3 장치를 전봇대 장착 어댑터나 코너 장착 어댑터에 고정.....	19
7.5.3.1 전봇대 장착 고정	19
7.5.3.2 코너 어댑터로 고정하기.....	19
8 조립	20
8.1 사용 범위	20
8.2 하우징의 개방.....	20
8.3 제어반 설명	21
8.4 컨넥터 색인카드의 기술.....	21
8.5 카메라 설치 방법	22
8.6 카메라 연결	22
9 설치	23
9.1 케이블 인입구.....	23
9.2 커넥터 카드 연결.....	24
9.2.1 전원공급 라인 연결	24

9.2.2 비디오 케이블 연결	25
9.2.2.1 비디오 케이블 연결 (아날로그 출력 신호).....	25
9.2.2.2 비디오 케이블 연결 (IP 일반 카메라).....	25
9.2.2.3 비디오 케이블 연결 (디지털 출력 신호).....	25
9.2.3 신호 케이블 연결.....	25
9.2.3.1 직렬회선의 연결.....	25
9.2.3.2 릴레이 연결.....	26
9.2.3.3 와이퍼 연결.....	26
9.3 접지.....	26
9.4 하우징의 닫기.....	27
9.5 햇빛 차단기 고정하기.....	27
10 안전 운용을 위한 지시사항	28
10.1 안전 운용	28
10.1.1 시운전하기.....	28
10.1.2 안전 규칙.....	28
10.1.3 폭발 예방 규칙.....	28
11 켜짐.....	29
11.1 폭발성 대기에 제품을 공급하기 전에.....	29
12 유지보수.....	29
12.1 퓨즈의 교체.....	30
12.2 슬라이드 교체.....	30
12.3 후면 플랜지의 개스킷을 교체합니다.....	30
12.4 와이퍼 블레이드 교체.....	30
13 청소.....	31
13.1 유리 청소하기.....	31
13.2 게르마늄 창의 청소.....	31
13.3 제품 청소.....	31
14 폐기 및 재활용 정보.....	32
15 Troubleshooting	32
16 기술 데이터	33
16.1 MAXIMUS MVX.....	33
16.1.1 기계.....	33
16.1.2 케이블 글랜드.....	33
16.1.3 하우징 창.....	33
16.1.4 전기.....	33
16.1.5 네트워크.....	33
16.1.6 직렬 통신.....	33
16.1.7 비디오.....	33
16.1.8 I/O 인터페이스.....	33
16.1.9 카메라.....	34
16.1.10 환경.....	34
16.1.11 인증서.....	34
16.2 MAXIMUS MVXT.....	35
16.2.1 기계.....	35
16.2.2 케이블 글랜드.....	35
16.2.3 하우징 창.....	35

16.2.4 전기	35
16.2.5 네트워크	35
16.2.6 직렬 통신	35
16.2.7 비디오	35
16.2.8 I/O 인터페이스	36
16.2.9 카메라	36
16.2.10 환경	36
16.2.11 인증서	36
16.3 MAXIMUS MVXHD	37
16.3.1 기계	37
16.3.2 케이블 글랜드	37
16.3.3 하우징 창	37
16.3.4 전기	37
16.3.5 비디오	37
16.3.6 네트워크	38
16.3.7 I/O 인터페이스	38
16.3.8 카메라	38
16.3.9 환경	38
16.3.10 인증서	38
17 기술 도면	39

1 설명서에 있는 정보들

장치를 설치 및 사용하기 전에 제공된 모든 문서를 주의 깊게 읽어 보십시오. 나중에 참조할 수 있도록 편리한 장소에 설명서를 보관하십시오.

1.1 인쇄합의

⚠ 위험!
폭발 위험.
 폭발의 위험을 피하려면 주의깊게 읽어 꼭십시오.

⚡ 위험!
높은 위험
 전기 감전의 위험 모든 작업을 실행하기 전에 다른 지시를 제외하고 제품에 전압 분리를 확인합니다.

⚠ 주의!
중간 위험
 작업은 시스템의 올바른 기능때문에 매우 중요합니다. 지시된 절차를 주의해서 읽고 예정된 방법에 따라서 절차를 실행하길 바랍니다.

i INFO
 시스템의 특징들 설명
 다음 단계들을 이해하기 위해서 주의하여 읽기를 권고합니다.

2 저작권 및 상표에 대한 정보들 주의사항

언급한 제품과 회사의 이름들은 상표이거나 관련된 회사에 속한 등록된 상표입니다.

3 안전규칙

⚠ 주의! 외부 등전위 연결은 제품 외부의 작은 구멍을 통해 설정해야 합니다. 보호 단자로 사용하지 마십시오.

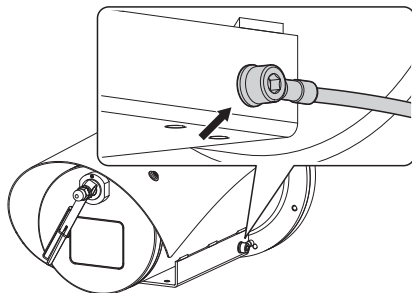


그림. 1

⚡ 주의! 장치가 연결될 전기 시스템에는 최고 10A의 자동 양극 회로 차단기가 설치되어 있어야 합니다. 회로 차단기 접점 간의 최소 간격은 3mm(0.1인치)여야 합니다. 스위치는 접지로 향하는 손상된 전류(차이)와 과전류(회로차단기)에 대한 보호가 제공되어야 합니다.

⚠ 주의! 설치는 TNV-1 유형입니다. SELV. 회로를 연결하지 마십시오.

⚠ 주의! 장치의 설치와 유지보수는 오직 기술 자격을 갖춘 기술자에 의해서만 실행되어야 합니다.

⚠ 주의! 화재의 위험에 대해 보호를 보장하기 위해서는 같은 유형과 가치를 가진 퓨즈로 교체합니다. 퓨즈들은 오직 자격을 갖춘 기술자들에 의해서만 교체되어야 합니다.



주의! 장치는 접지 도체에 연결되어야 합니다(보호용 접지). 연결은 내부 커넥션을 통해서만 실행되어야 합니다. (J7, 8.4 컨넥터 색인카드의 기술, 페이지 21 e 9.2.1 전원공급 라인 연결, 페이지 24).

- 해당 지시사항을 읽으십시오.
- 해당 지시사항을 지키십시오.
- 모든 경고사항에 주의하십시오.
- 모든 지시사항을 따르십시오.
- 발화의 위험을 줄이기 위해서 잠재적으로 폭발성 대기가 존재하는 디바이스를 열지 마십시오. 작동 중에는 제품을 꼭 닫힌 상태로 유지하십시오.
- 이 장비의 수리는 적용 가능한 실전 강령 IEC/EN60079-14에 따라 적절하게 교육받은 인원에 의해서만 수행되어야 합니다.
- 장치의 표면 온도가 직접적인 햇빛 노출에 의해 증가되었습니다. 장치의 표면 온도 등급은 직사광선에 대한 고려 없이 주면 대기 온도만으로 판단됩니다.
- 강풍에 대한 노출과 같은 특정 환경 양상도 염두에 둔 상태에서, 장치의 무게를 유지하기에 충분히 강한 설치 표면을 선택합니다.
- 장치가 고정될 표면을 선택하는 것은 사용자의 책임이기 때문에, 해당 장치를 특정 표면에 부착하기 위한 고정 장치는 제공되지 않습니다. 설치자가 해당 특정 용도에 적합한 고정 장치를 선택할 책임이 있습니다. 적어도 장치의 무게보다 4배를 지탱할 수 있는 방법과 자재를 사용하십시오.
- 전원공급을 공급하기 전에 장치가 안전하게 고정되었는지 확인합니다.
- 제한 접근 지역의 장비 설치하는 전문 기술 인력이 수행합니다.
- 주 절연체는 안전 변압기 및/또는 절연된 직류 전원 공급 장치로 제품 외부에 설치해야 합니다.

- 제품 사용 시 안전 변압기 및/또는 전압 절연 전원 공급장치에 적합한 특성 공급. 출력의 특성은 다음 값을 초과해서는 안 됩니다. 전원공급의 전압: 26.4Vac 혹은 26.4Vdc max. 출력 전류: 5A max.
- 전원 차단 장치는 전기 설비에 포함되어야 하며, 매우 신속하게 인식가능하고 필요한 경우 동작해야 합니다.
- 기술 서비스에 대해서는, 공인 기술자에게만 의뢰하십시오.
- 제조업체는 이 설명서에서 언급된 기기의 부적절한 사용으로 인해 발생하는 손상에 대한 모든 책임을 지지 않습니다. 언급이 없이 내용물을 변경에 대한 권리를 또한 보유하고 있습니다. 제조업자는 기기의 사용으로 인해 발생하는 어떤 책임을 지지 않을 수 있음에도 불구하고 각 관리는 이 설명서에서 포함된 서류의 수집과 평가에 배치되어 있습니다. 제조업자는 기기의 사용으로 인해 발생하는 어떤 책임을 지지 않을 수 있음에도 불구하고 각 관리는 이 설명서에서 포함된 서류의 수집과 평가에 배치되어 있습니다. 이 설명서의 생성과 생산에 관련된 모든 사람이나 회사의 경우에도 같습니다.
- 모든 작업을 실행하기 전에 제품에 전압을 분리를 확인합니다.
- 마모나 오래된 징후를 가진 케이블을 사용하지 마십시오.
- 이 설명서에서 언급되지 않은 모든 변경이나 연결을 실행하지 마십시오. 적합하지 않는 기기의 사용은 기술자와 설비의 안전에 심각한 위험을 초래할 수 있습니다.
- 오리지널 예비부품만을 사용합니다. 오리지널이 아닌 예비부품들이 화재, 전기 방전이나 다른 위험의 원인이 될 수 있습니다.
- 설치를 진행하기 전에 검인의 라벨을 검사하면서 제공된 재료들이 명시된 요구들과 일치하는지 확인합니다. (4.2 제품의 검인, 페이지 12).

- 이 장치는 건물이나 적합한 구조물에 영구적으로 고정, 연결되도록 설계했습니다. 모든 작업 시작 전 장치는 단단히 고정, 연결되어 있어야 합니다.
- 장치를 설치하는 동안 모든 국가 표준을 준수하십시오.
- 전원 차단 장치는 전기 설비에 포함되어야 하며, 매우 신속하게 인식가능하고 필요한 경우 동작해야 합니다.
- 이것은 클래스 A 제품입니다. 주거환경에서 이 제품은 전파장애를 일으킬 수 있습니다. 이 경우, 적합한 방법을 가져오라고 사용자에게 요구되어질 수 있습니다.
- 검인된 라벨에 제세된 것과 일치하는 전원엔 장치를 연결합니다. 설치를 진행하기 전에 전기라인이 적당하게 단면화되었는지 확인합니다. 전원공급 전압 24Vac에 전원공급된 디바이스를 위해서 한계들 ($\pm 10\%$)을 초과해서는 안 됩니다. 전원공급 전압 12Vdc 및 24Vdc 에 전원공급된 디바이스를 위해서 한계들 ($\pm 5\%$)을 초과해서는 안 됩니다.
- 24Vac 전원 공급 장치의 경우 주전원 공급선과 보조 회로 간의 이중 또는 강화 절연을 사용하여 AC 전원 공급선을 적절하게 분리해야 합니다.
- 낮추고 짧은 파워 브레이크 회로에 관한 시행되고 있는 법에 일치하려면 장치를 공급하기 위해 적절한 지속성 그룹 (UPS)를 사용합니다.
- 비폭발성 환경에서 연결, 설치 및 유지보수 작업을 수행하십시오.
- 그 기기의 네트워크의 일시적인 전압 수준들이 명확한 설치의 카테고리(또한 과전압의 카테고리라고 말하는) 주체입니다. 카테고리는 설치의 장소와 과전압에 대한 보호장치의 존재에 따라 달라집니다. 전원 설비의 주요 브런치에 연결된, 산업환경을 위한 장치는 설치 III 카테고리에 주체입니다. 이런 경우에는, 카테고리 II의 감소를 요구합니다. 이것은 첫 번째와 두 번째의 땅에 연결된 차폐를 가진 절연 번압기를 사용, 위상과 중립에서 중립과 땅 사이에 연결된 과전압 (SPD) 에 대한 보호의 장치 사용을 통하여 얻어질 수 있습니다. SPD 장치들은 반복적인 방법과 기능의 명목적인 다음 조건들에 대한 일시적인 과전압들을 제한하기 위한 장치가 되어있습니다. 유형 2(전원의 네트워크에 영구적으로 연결된 SPD 장치, 서비스의 장치의 부하측으로부터 설치하기 위해서); 최소 20kA 방출의 공칭 전류 (In). 보기를 사용할 수 있습니다: FERRAZ SHAWMUT, ST23401PG-CN, 120Vac/240Vac을 명시한 ST240SPG-CN, (In=20kA). 설치와 감소의 최대 거리는 5m입니다.
- 노르웨이 및 스웨덴의 규격 차이: 주 전원 연결을 통해 또는 보호 도체(및 동축 케이블을 사용하는 배선 시스템)에 연결된 기타 장비를 통해 건물 설비의 보호 도체에 연결된 장비는 특정 상황에서 화재 위험이 있습니다. 그러므로 배선 시스템은 특정 주파수 범위(갈바닉 절연, EN60728-11 참조)에서 절연을 제공하는 장치를 통해 연결되어야 합니다. 노르웨이 및 스웨덴에서는 배선 시스템의 설치 규제 때문에 갈바닉 절연이 5MHz 미만의 절연을 제공해야 합니다. 절연은 1분 동안 1.5kV rms, 50Hz 또는 60Hz의 절연 강도를 견뎌야 합니다.
- Utstyr som er koplet til beskyttelsesjord via nettplugg og/eller via annet jordtilkøpnet utstyr - og er tilkøpnet et kabel-TV nett, kan forårsake brannfare. For å unngå dette skal det ved tilkøpning av utstyret til kabel-TV nettet installeres en galvanisk isolator mellom utstyret og kabel-TV nettet.

3.1 인증된 ATEX-IECEx의 세부사항들

3.1.1 온도

주변 온도, 가스의 그룹 그리고 EX 마킹 사이의 관계는 다음과 같습니다:

표지 세부 정보		
환경 온도	ATEX 마킹	IECEx 마킹
-60°C ≤ Ta ≤ +65°C	Ⓜ II 2 G Ex db IIC T5 Gb	Ex db IIC T5 Gb
-50°C ≤ Ta ≤ +65°C	Ⓜ II 2 D Ex tb IIIC T100°C Db IP66/IP68	Ex tb IIIC T100°C Db IP66/IP68
-60°C ≤ Ta ≤ +55°C	Ⓜ II 2 G Ex db IIC T6 Gb	Ex db IIC T6 Gb
-50°C ≤ Ta ≤ +55°C	Ⓜ II 2 D Ex tb IIIC T85°C Db IP66/IP68	Ex tb IIIC T85°C Db IP66/IP68

Tab. 1

3.1.2 설치 가능한 카메라의 특성

설치 가능한 카메라의 특성				
	소비량		크기들 (WxHxL)	
	동영상 인코더 IP 포함	동영상 인코더 IP 미포함	동영상 인코더 IP 포함	동영상 인코더 IP 미포함
하우징				
MVX	6W	8W	70mmx65mm(2.6인치)x120mm	70mmx65mm(2.6인치)x140mm
MVXT	6W	8W	70mmx65mm(2.6인치)x120mm	70mmx65mm(2.6인치)x140mm
MVXHD	6W	8W	70mmx65mm(2.6인치)x100mm	70mmx65mm(2.6인치)x140mm

Tab. 2

3.1.3 설치 지침서

모든 컨넥터/글랜드 케이블들은 적절한 방법으로 "db" 그리고/이나 "tb" 폭발의 시도에 보호 유형으로, IP66/IP68 등급, 사용의 조건들에 대한 적합성 및 올바른 설치들, ATEX/IECEx 인증되어야 합니다.

도관이 사용되어질 때 적절한 방법으로 "db" 그리고/이나 "tb" 폭발의 시도에 보호 유형으로, IP66/IP68 등급, 사용의 조건들에 대한 적합성 및 올바른 설치들, ATEX/IECEx 인증된 차단의 연결장치가 사용되어야 합니다. 차단의 연결장치는 디바이스로부터 50mm (1.97in) 안으로 위치해 있어야 합니다.

사용하지 않은 케이블 인입구는 사용 조건에 적합하고 올바르게 설치된 ATEX/IECEx 인증, 방폭 유형 "db" 및/또는 "tb", IP66/IP68 등급 장치로 적절하게 밀봉합니다.

-10°C 이하의 환경 온도를 위해서 최소 환경 온도에 적합한 케이블을 사용합니다.

고온을 견디는 데 적합한 케이블, 케이블 글랜드, 부속품 또는 기타 연결 요소를 사용해야 합니다: +80°C

3.1.4 조립 지침서



하우징은 어느 위치에나 설치할 수 있습니다.

3.1.5 안전한 사용에 대한 특별한 조건들

- 설치될 카메라는 전자기기가 되어서는 안되고 레이저, 지속적인 웨이브의 원천이나 초음파 에너지 방사 장비를 포함해서는 안 됩니다.
- 설치할 수 있는 카메라는 전지나 배터리를 포함하지 않습니다.
- 카메라는 기본적인 기하학적 형태를 가져야 합니다.
- 설치된 카메라와 하우징 창 내부 표면 사이의 공간은 다음과 같아야 합니다.: 4mm(0.16인치)

3.1.6 추가한 정보들

본 제품은 EN/IEC60529에 따라 IP(방수방진) 등급 테스트를 통과했습니다.: IP66, IP68.

4 식별

4.1 설명과 제품의 명시

MAXIMUS MVX 시리즈 반폭발성 하우징은 가스, 증기, 안개 혹은 혼합 공기 및 먼지로 인해 폭발성 대기가 있는 산업 환경에서 작동하는 카메라의 사용으로 설계되어졌습니다.

MAXIMUS MVX 하우징은 마이크로 쇼트피닝 AISI 316L 스테인리스 스틸로 제작되었습니다.

후면 플랜지는 카메라가 위치되어지는 곳인 내부 슬라이드를 결합하고 전원공급과 하우징의 가열 디바이스를 관리하는 내부 전자부품의 관리 부분 또한 포함합니다.

케이블은 후면 덮개판 바닥에 뚫린 나삿니가 있는 3/4" NPT 구멍을 통해 넣어야 합니다. 연결은 IEC/EN60079-14에 따라 설정해야 합니다.

MAXIMUS MVX 제품군의 하우징은 IP66/IP68 내후성 표준을 준수하며 다음 온도에서 설치할 수 있습니다.

T5: ~로부터 -60°C 까지 +65°C 혹은 ~로부터 -50°C 까지 +65°C

T6: ~로부터 -60°C 까지 +55°C 혹은 ~로부터 -50°C 까지 +55°C

4.2 제품의 검인

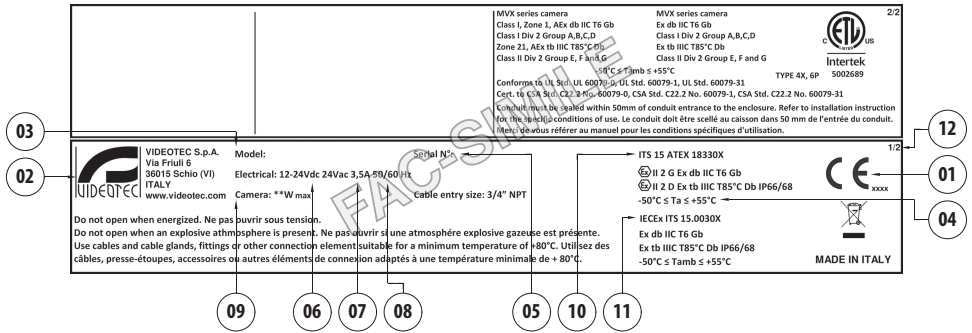


그림 2

1. CE 마크와 생산의 적합성의 확인을 위한 인증기관의 번호
2. 제조업체의 이름 및 주소
3. 모델 식별 코드
4. 모델 식별 번호를 참조한 사용 주변 온도
5. 시리얼 번호 (두 번째와 세 번째 자릿수는 제조 연도를 정의함)
6. 전원공급의 전압 (V)
7. 흡수류 (A)
8. 주파수 (Hz)
9. 카메라/렌즈 (W)의 소비량 전력
10. ATEX 인증:
 - ATEX 인증 번호
 - 이 제품이 ATEX 지령에 부합하여 사용될 수 있는 존 유형에 대한 분류, 보호 방법, 온도 등급

ATEX 마킹		
환경 온도	가스 마킹	먼지 마킹
-60°C to +65°C	⊕ II 2 G Ex db IIC T5 Gb	⊕ II 2 D Ex tb IIIC T100°C Db
-50°C to +65°C		
-60°C to +55°C	⊕ II 2 G Ex db IIC T6 Gb	⊕ II 2 D Ex tb IIIC T85°C Db
-50°C to +55°C		

Tab. 3

11. IECEx 인증서:

- IECEx 인증 번호
- 이 제품이 IECEx 표준에 부합하여 사용될 수 있는 존 유형에 대한 분류, 보호 방법, 온도 등급

IECEx 마킹		
환경 온도	가스 마킹	먼지 마킹
-60°C to +65°C	Ex db IIC T5 Gb	Ex tb IIIC T100°C Db
-50°C to +65°C		
-60°C to +55°C	Ex db IIC T6 Gb	Ex tb IIIC T85°C Db
-50°C to +55°C		

Tab. 4

12. 하우징에는 다른 인증을 표시하기 위한 추가 라벨이 부착되었을 수 있습니다. 라벨에는 번호가 매겨지며 표시 데이터는 하우징과 함께 제공되는 추가 문서에 보고됩니다.

5 제품 코드

MAXIMUS MVX - 제품 코드								
	전압	텔레카메라	악세서리	연결	영상 출력부	모델	릴리스	
MVX	2 12Vdc-24Vdc/24Vac	00 카메라 미포함	S 부속품 미포함	0 케이블 미포함, 케이블 그랜드 미포함	0 아날로그	00 T5 -60°C/+65°C	A 최초 릴리스	
		** 사전 설치된 카메라	W 와이어 포함	* 연결 장치	Z IP H.264	01 T5 -50°C/+65°C		
						02 T6 -60°C/+55°C		
						03 T6 -50°C/+55°C		

Tab. 5

MAXIMUS MVXT - 제품 코드								
	전압	텔레카메라	악세서리	연결	영상 출력부	모델	릴리스	열화상 카메라 주파수
MVXT	2 12Vdc-24Vdc/24Vac	00 카메라 미포함	S 부속품 미포함	0 케이블 미포함, 케이블 그랜드 미포함	0 아날로그	00 T5 -60°C/+65°C	A 최초 릴리스	비어 있음 7.5-8.3Hz
		** 사전 설치된 카메라		* 연결 장치	Z IP H.264	01 T5 -50°C/+65°C	B 2번째 에디션	H 25-30Hz
						02 T6 -60°C/+55°C		
						03 T6 -50°C/+55°C		

Tab. 6

MAXIMUS MVXHD - 제품 코드								
	전압	텔레카메라	악세서리	연결	영상 출력부	모델	릴리스	
MVXHD	2 12Vdc-24Vdc/24Vac	00 카메라 미포함	S 부속품 미포함	0 케이블 미포함, 케이블 그랜드 미포함	0 동영상 인코더 미포함	00 T5 -60°C/+65°C	A 최초 릴리스	
		** 사전 설치된 카메라	W 와이어 포함	* 연결 장치	Z IP H.264	01 T5 -50°C/+65°C	B 2번째 에디션	
						02 T6 -60°C/+55°C		
						03 T6 -50°C/+55°C		

Tab. 7

6 버전들

6.1 강화된 유리

제품에는 강화 유리가 장착될 수 있습니다.

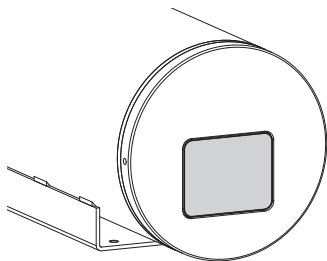


그림. 3

6.2 통합 와이퍼

제품은 와이퍼가 준비되어 질 수 있습니다. 보완된 와이퍼는 키보드는 드라이컨택을 통해서 원격조정에 의해서 명령되어질 수 있습니다.

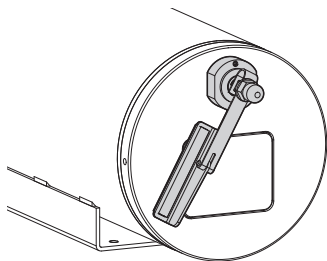


그림. 4

6.3 게르마늄 창

⚠ 장치가 작동 중일 때 보호의 그리드는 항상 있어야 합니다. 이 지시를 준수하지 않는다면 기술자와 설비에 심각한 위험들을 가져올 수 있고 그 외 보증이 무효화 될 수 있습니다.

게르마늄 창 버전은 열 카메라를 적용하기 위해서 연구되어졌습니다.

이 버전은 AISI 316L 스테인리스 스틸로 보호된 그리드가 제공되었습니다.

선택한 카메라에 따라 관련된 격자로 2개의 다른 게르마늄 창을 설치할 수 있습니다.

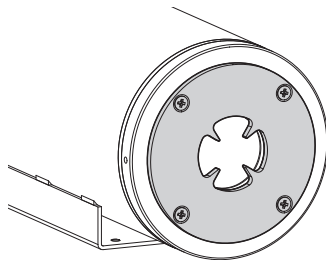


그림. 5 작은 격자.

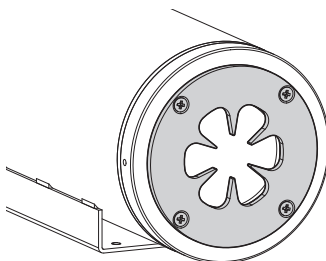




그림. 6 큰 격자.


7 사전에 대한 제품 준비

 제조업체에 의해 명시적으로 승인되지 않은 변경은 보증과 인증 모두를 무효로 합니다.


7.1 사용 전에 안전 예방조치


 모든 장치들이 해당 응용 프로그램과 설치되는 환경에 대해 인증되어 있는지 확인합니다.


 모든 작업을 실행하기 전에 제품에 전압을 분리를 확인합니다.

 전원 차단 장치는 전기 설비에 포함되어야 하며, 매우 신속하게 인식가능하고 필요한 경우 동작해야 합니다.

 모든 작업을 실행하기 전에 제품에 전압을 분리를 확인합니다.

 사이트를 설치하기 전에 작업실에서 연결들과 테스트를 실행합니다. 적합한 공구를 사용합니다.

 작업을 진행하기 전에, 주 전압이 올바른지 확인하십시오.

 시스템의 상당한 무게를 고려하여, 적절한 운반 및 취급 시스템을 사용하십시오. 작업을 수행할 때는 사고 예방 공통 규칙을 준수할 것을 권장됩니다.

장치가 강한 물질에 닿았다면 손상이 발생에 대한 그리고 보호 유형을 손상시키지 않는 적당한 예방책을 가진 사용자의 책임입니다.

- **강한 물질:** 메탈의 고분자들에 영향을 줄 수 있는 메탈이나 용매를 공격할 수 있는 산성 액체나 가스
- **적합한 예방책:** 기술 색인 카드, 특유의 화학동인에 대한 재료의 내구성을 기초로 정기적인 점검의 환경에서의 규칙들을 점검하거나 확인합니다.

세부적으로 설명되었다시피 구성 자재가 의도된 설치 지점에 적합하도록 보장하는 것은 최종 사용자의 책임입니다. 확신이 서지 않는 경우에는, 제조업체에 상담하십시오.

7.2 포장 풀기

제품을 납품할 때 포장이 완전하고 떨어지거나 찢어지지 않았는지 확인합니다.

포장에 손상의 흔적이 있는 경우 바로 제조업체에게 연락합니다.

고장난 제품의 반환의 경우에는 운송을 위해서 오리지널 포장을 사용하기를 권고합니다.

수리하기 위해 제품을 보내야 할 경우에 포장을 보관해야 합니다.

7.3 내용물

아래 목록 재료의 표와 내용물이 일치하는지 점검합니다:

- 반쪽발성 하우징
- 선 실드의 조립에 대한 스페이서와 스크류들
- 문서를
- 케이블 타이
- 실리콘 보호개
- O링 교체 부품 키트
- 지침 매뉴얼
- 선 실드
- 볼트와 나사 (조립 지원)

7.4 포장 재료의 안전한 폐기

포장의 재료들은 재활용 재료에 의해서 온전히 만들어졌습니다. 분리수거의 방법이나 사용 국가의 현 규범에 따라서 폐기처분하는 기술 설치자의 관리입니다.

7.5 설치 전에 준비 작업



설치용으로 알맞은 도구를 사용하십시오. 장치 설치 현장의 특성에 따라 특정 도구가 설치를 위해 사용될 필요가 있습니다.



설치자는 제품과 시스템 간의 접지 연속성을 확인해야 합니다.



강풍에 대한 노출과 같은 특정 환경 이상도 염두에 둔 상태에서, 장치의 무게를 유지하기 위해 충분히 강한 설치 표면을 선택합니다.



전원공급을 공급하기 전에 장치가 안전하게 고정되었는지 확인합니다.



주의! 장치의 설치와 유지보수는 오직 기술 자격을 갖춘 기술자에 의해서만 실행되어야 합니다.



기술 서비스에 대해서는, 공인 기술자에게만 의뢰하십시오.



장치를 고정할 표면을 선택하는 것은 사용자의 책임이므로 특정 표면에 장치를 단단히 부착할 고정 장치는 제공하지 않습니다. 설치자가 특정 목적에 적합한 고정 장치를 선택할 책임이 있습니다. 일반적으로 장치 중량의 최소 4배를 지지할 수 있는 방법 및 소재를 사용합니다.

여러 개의 브래킷으로 장치를 설치하는 것이 가능합니다.

설치 중에는 승인된 브래킷과 액세서리들만 사용할 것을 권장합니다.

7.5.1 난간에 고정

무엇보다도 최종으로 놓일 곳에 어댑터의 베이스를 고정합니다. 적어도 장치의 무게보다 4배를 견딜 수 있는 나사를 사용하십시오.

잠금스레드의 충분한 양(Loctite 270)을 적용합니다. 스크류들을 잠급니다.

쓰레드 컴파운드는 한 시간 동안 굳어야 하며, 설치를 완료하기 전에 이 기간 동안 허용해야 합니다.

구비된 4 개의 카운터싱트 스크류 (02)를 사용하여 어댑터의 NXFWBT 기둥에 베이스를 고정시킬 수 있습니다.

제공된 너트와 와셔를 가지고 베이스에 연결 볼(03)을 고정합니다.

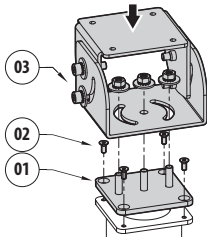


그림. 7

제공된 스크류들과 와셔들을 통해 연결 볼에 하우징을 고정합니다.

잠금스레드의 충분한 양(Loctite 270)을 적용합니다. 스크류들을 잠급니다.

⚠ 고정동안 주의를 기울입니다. 조임 토크: ~로부터 6Nm 까지 8Nm.

쓰레드 컴파운드는 한 시간 동안 굳어야 하며, 설치를 완료하기 전에 이 기간 동안 허용해야 합니다.

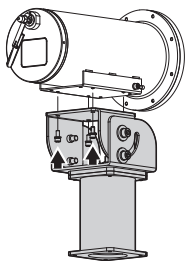


그림. 8

7.5.2 브래킷으로 고정하기

브래킷은 수직 벽면에 고정될 수 있습니다. 적어도 장치의 무게보다 4배를 견딜 수 있는 나사와 벽면 고정 장치를 사용하십시오.

브라킷에 디바이스를 고정하기 위해서 4 개의 평평한 와셔, 스테인리스 스틸로 된 4 개의 톱니 와셔 그리고 장비에 제공되어 케이스에 삽입된 스테인리스 스틸로 만들어진 육각형 4 개의 스크류를 사용합니다.

나사줄에 오물과 부스러기가 없는지 확인합니다.

4 개의 스크류 위에 잠금스레드의 충분한 양(Loctite 270)을 적용합니다.

스크류들을 잠급니다.

쓰레드 컴파운드는 한 시간 동안 굳어야 하며, 설치를 완료하기 전에 이 기간 동안 허용해야 합니다.

⚠ 고정동안 주의를 기울입니다. 조임 토크: ~로부터 6Nm 까지 8Nm.

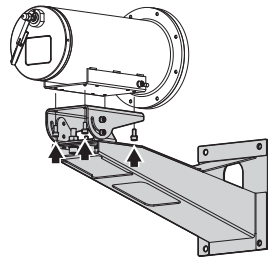


그림. 9

7.5.3 장치를 전봇대 장착 어댑터나 코너 장착 어댑터에 고정

제품을 기둥이나 벽 모서리에 설치하려면 먼저 장치를 벽 브래킷에 고정하십시오. (7.5.2 브래킷으로 고정하기, 페이지 18).

7.5.3.1 전봇대 장착 고정

4개의 와셔, 4개의 스테인리스 스틸 그로워 와셔와 4개의 육각 스테인리스 스틸 볼트(A4 등급 70) M10x20mm를 사용하여 벽면용 브래킷을 전봇대 장착 어댑터에 고정합니다.

나사줄에 오물과 부스러기가 없는지 확인합니다.

폴 장착 어댑터에 있는 4개의 나사 구멍에 충분한 양의 나사고정제(Loctite 270)를 바릅니다.

스크류들을 잠급니다.

⚠ 고정동안 주의를 기울입니다. 조임 토크: 35Nm.

쓰레드 컴파운드는 한 시간 동안 굳어야 하며, 설치를 완료하기 전에 이 기간 동안 허용해야 합니다.

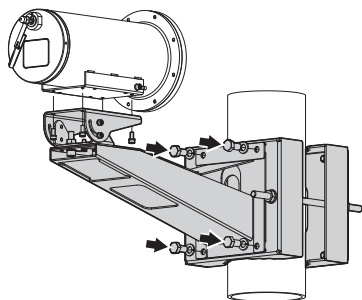


그림. 10

7.5.3.2 코너 어댑터로 고정하기

4개의 와셔, 4개의 스테인리스 스틸 그로워 와셔와 4개의 육각 스테인리스 스틸 볼트(A4 등급 70) M10x20mm를 사용하여 벽면용 브래킷을 코너 장착 어댑터에 고정합니다.

나사줄에 오물과 부스러기가 없는지 확인합니다.

코너 모듈에 있는 4개의 나사 구멍에 충분한 양의 나사고정제(Loctite 270)를 바릅니다.

스크류들을 잠급니다.

⚠ 고정동안 주의를 기울입니다. 조임 토크: 35Nm.

쓰레드 컴파운드는 한 시간 동안 굳어야 하며, 설치를 완료하기 전에 이 기간 동안 허용해야 합니다.

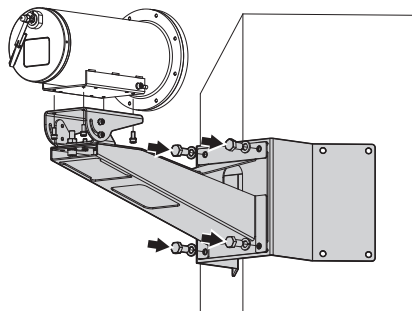


그림. 11

8 조립

⚠ 비폭발성 환경에서 연결, 설치 및 유지보수 작업을 수행하십시오.

⚠ 모든 장치들이 해당 응용 프로그램과 설치되는 환경에 대해 인증되어 있는지 확인합니다.

⚠ 주의! 장치가 연결될 전기 시스템에는 최고 10A의 자동 양극 회로 차단기가 설치되어 있어야 합니다. 회로 차단기 접점 간의 최소 간격은 3mm(0.1인치)여야 합니다. 스위치는 접지로 향하는 손상된 전류(차이)와 과전류(회로차단기)에 대한 보호가 제공되어야 합니다.

⚠ 전원 공급 부재상태에서 개방된 구간의 장치로 전기 연결들을 실행합니다.

⚠ 전원 차단 장치는 전기 설비에 포함되어야 하며, 매우 신속하게 인식가능하고 필요한 경우 동작해야 합니다.

⚠ 마모나 오래된 징후를 가진 케이블을 사용하지 마십시오.

⚠ 주의! 장치의 설치와 유지보수는 오직 기술 자격을 갖춘 기술자에 의해서만 실행되어야 합니다.

⚠ 장치를 설치하는 동안 모든 국가 표준을 준수하십시오.

⚠ 하우징은 어느 위치에나 설치할 수 있습니다.

⚠ 설치할 수 있는 카메라는 전지나 배터리를 포함하지 않습니다.

i VIDEOTEC은 장치를 최종 설치 장소에 설치하기 전에 및 성능을 시험해 볼 것을 강력히 권장합니다.

8.1 사용 범위

장치의 사용은 잠재적으로 폭발성 대기를 가진 1-21 구역이나 1-22구역으로 등급된 구역을 감독하기 위해서 고정 위치에서 사용에 대해 정의되어졌습니다.

본 장치는 응용 범위와 최소 안전 요건을 규정하는 지령 2014/34/UE 및 국제 표준 IECEx에 부합하여 제작되고 인증되었습니다.

8.2 하우징의 개방

⚠ 제품의 개폐 작업을 수행하는 동안 방폭 연결 부위가 손상되지 않도록 주의하십시오.

카메라를 설치하기 위해서 하우징의 후면 플랜지를 개방하는 것이 필요합니다.

나사를 꺼내고 와셔를 제거한 다음 바닥을 하우징에서 꺼냅니다.

나사 속성

- 직경/나사 피치: M5x0.8
- 재료: A4 등급 70
- 나사 머리: ISO 4762
- 길이: 12mm
- 항복 응력 (min): 450N/mm²

i 와이퍼 내장 버전을 열 때는 각별히 주의하십시오. 연결부가 손상되지 않도록 슬라이드를 천천히 꺼냅니다. 슬라이드를 완전히 꺼내기 전에 커넥터를 분리하십시오.

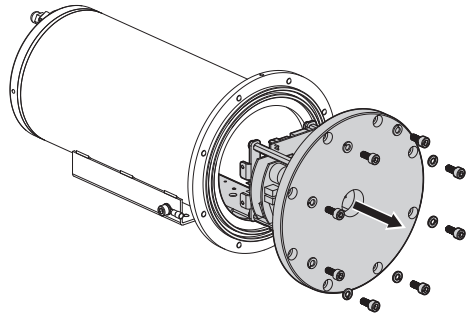


그림. 12

8.3 제어반 설명

카드의 설명	
커넥터/단자	기능
J1	전력 공급선/영상 신호 (아날로그 카메라)
J2	와이퍼 센서
J3	계전기 및 알람 (텔레카메라)
J4	전력 공급선 (송풍기)
J5	전력 공급선 (와이퍼)
J6	전력 공급선 (텔레카메라)
DIP1	직렬선 구성

Tab. 8

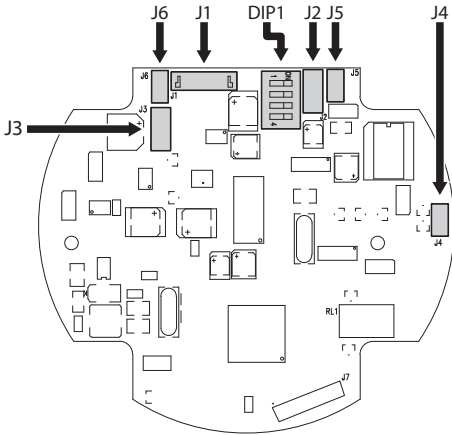


그림. 13

8.4 커넥터 색인카드의 기술

카드의 설명	
커넥터/단자	기능
J1	영상 출력부 (디지털)
J5	영상 출력부 (텔레카메라)
J6	전력 공급선 (IP video encoder)
J7	전력 공급선 (하우징)
J8	영상 출력부 (아날로그식)
J11	릴레이, 알람, 직렬 회선, factory default
J12	신호 케이블 (IP video encoder)
J13	카메라 전원 공급 장치
FUS1	퓨즈

Tab. 9

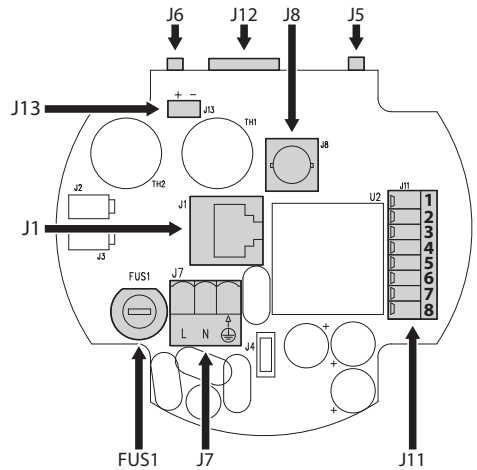


그림. 14

지점명서 - 한국아 - KO

8.5 카메라 설치 방법

! 설치할 수 있는 카메라는 전지나 배터리를 포함하지 않습니다.

! 설치 가능한 카메라에 대한 자세한 내용은 **관련 장 참조 (3.1.2 설치 가능한 카메라의 특성, 페이지 10)**.

창을 통해서 완전한 시야를 허락하는 설치의 높이로 내부 슬라이드에 카메라/렌즈를 조립합니다.

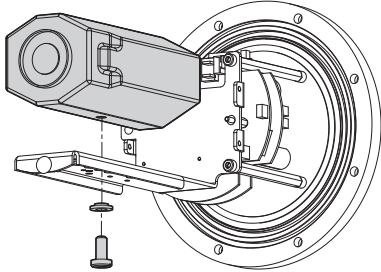


그림. 15

카메라와 하우징 유리 사이의 최소 설치 간격:
4mm(0.16인치) (거리는 슬라이드의 모서리임).

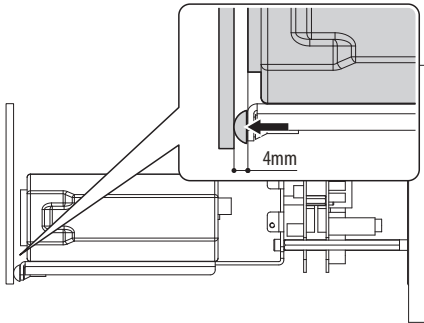


그림. 16

8.6 카메라 연결

카메라 연결			
버전	전원	영상 신호	통신 회선
일반 IP 버전	J13 (커넥터 보드)	카메라 커넥터/ 카메라 직접 연결	-
아날로그 버전/ 디지털 SD 버전	J1 (제어반)	J1 (제어반)	J1 (제어반)
디지털 HD 버전	J6 (제어반)	J12 (커넥터 보드)	J12 (커넥터 보드)

Tab. 10

i IP 버전 비디오 신호 케이블은 카메라에 직접 연결되어 있습니다.

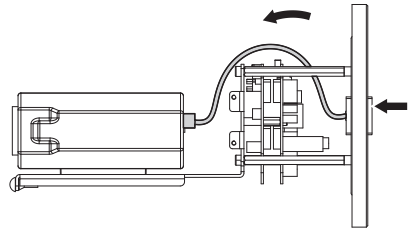






그림. 17


9 설치


 전원이 공급되고 폭발성 대기에 있을 때 장치를 열지 마십시오.


 비폭발성 환경에서 연결, 설치 및 유지보수 작업을 수행하십시오.


 모든 장치들이 해당 응용 프로그램과 설치되는 환경에 대해 인증되어 있는지 확인합니다.


 주의! 장치가 연결될 전기 시스템에는 최고 10A의 자동 양극 회로 차단기가 설치되어 있어야 합니다. 회로 차단기 접점 간의 최소 간격은 3mm(0.1인치)여야 합니다. 스위치는 접지로 향하는 손상된 전류(차이)와 과전류(회로차단기)에 대한 보호가 제공되어야 합니다.

 전원 공급 부재상태에서 개방된 구간의 장치로 전기 연결들을 실행합니다.


 전원 차단 장치는 전기 설비에 포함되어야 하며, 매우 신속하게 인식가능하고 필요한 경우 동작해야 합니다.


 마모나 오래된 징후를 가진 케이블을 사용하지 마십시오.


 주의! 장치의 설치와 유지보수는 오직 기술 자격을 갖춘 기술자에 의해서만 실행되어야 합니다.

 장치를 설치하는 동안 모든 국가 표준을 준수하십시오.

 하우징은 어느 위치에나 설치할 수 있습니다.

 분리된 모든 와이어는 전기적으로 절연 상태여야 합니다.

 설치할 수 있는 카메라는 전지나 배터리를 포함하지 않습니다.

 **VIDEOTEC**은 장치를 최종 설치 장소에 설치하기 전에 및 성능을 시험해 볼 것을 강력히 권장합니다.

9.1 케이블 인입구

장치에서 도관 시스템 또는 케이블 그랜드에서 외부 환경으로 화염이나 폭발이 확산되지 않도록 IEC/EN60079-14를 준수하는 연결을 사용하십시오.

피복이 없는 단일 케이블은 전선관 시스템 내부에 설치되지 않는 한 사용하지 말아야 합니다.

모든 글랜드 케이블들은 적절한 방법으로 "db" 그리고/이나 "tb" 폭발의 시도에 보호 유형으로, IP66/IP68 등급, 사용의 조건들에 대한 적합성 및 올바른 설치들, ATEX/IECEx 인증되어야 합니다.

하우징과 안전 영역 사이에 수지 처리 장치를 반드시 설치합니다(배리어 케이블 그랜드 또는 스톱핑 박스).

도관이 사용되어질 때 적절한 방법으로 "db" 그리고/이나 "tb" 폭발의 시도에 보호 유형으로, IP66/IP68 등급, 사용의 조건들에 대한 적합성 및 올바른 설치들, ATEX/IECEx 인증된 차단의 연결장치가 사용되어야 합니다. 차단의 연결장치는 디바이스로부터 50mm (1.97in) 안으로 위치해 있어야 합니다.

9.2 커넥터 카드 연결

9.2.1 전원공급 라인 연결

! 전원 공급 부재상태에서 개방된 구간의 장치로 전기 연결들을 실행합니다.

! 설치 작동 때 설비에서 제공되는 전원공급의 특성들과 장치에서 요구하는 전원공급의 특성이 일치하는지를 점검합니다.

! 주의! 설치는 TNV-1 유형입니다. SELV. 회로를 연결하지 마십시오.

! 전원 공급 장치 소켓과 케이블이 적절한 치수인지 점검합니다.

! 보호 접지 연결에 대해서는, 적절한 케이블 구간을 사용합니다: 2.5mm^2 (13AWG).

전원공급 라인 연결	
컬러	단자들
전원 공급 24Vac/24Vdc/12Vdc	
설비자로부터의 정의	~/+
설비자로부터의 정의	~/-
노란색/초록색	⊕

Tab. 11

전원 공급 케이블은 접지 케이블 고정에 유의하면서 커넥터 보드 전원 공급 단자에 연결해야 합니다. (J7, 8.4 커넥터 색인카드의 기술, 페이지 21).

! 접지 케이블은 땀겨지는 원인으로 우연히 분리되어지는 것을 방지하기 위해서 약 10mm의 다른 두 케이블보다 길어야 합니다.

! 전원 케이블은 장치에 있는 실리콘 보호대 (01)로 덮혀 있어야 합니다. 실리콘 보호대는 전용밴드(02)로 고정되어져야 합니다.

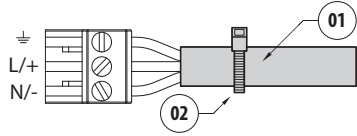


그림. 18

전원 공급 장치 종류와 관련하여 표에 명시된 전원 공급 케이블의 최대 길이를 준수하십시오.

케이블 사양		
케이블 섹션	전원공급의 전압	최대 케이블 길이
1mm ² (17AWG)	12Vdc	5m
	24Vdc	15m
	24Vac	30m
1.5mm ² (16AWG)	12Vdc	7m
	24Vdc	25m
	24Vac	45m
2.5mm ² (13AWG)	12Vdc	15m
	24Vdc	40m
	24Vac	80m

Tab. 12

9.2.2 비디오 케이블 연결

! 주의! 화재의 위험을 감소하기 위해서 오직 0.14mm²보다 크거나 같은 크기를 가진 케이블을 사용합니다(26AWG).

제안되는 동축 케이블은 다음과 같습니다:

- RG59
- RG174A/U UL1354

다음 특성을 가진 이더넷 케이블의 사용을 적극 권장함:

- STP (차폐)
- 카테고리 5E (이상)

9.2.2.1 비디오 케이블 연결 (아날로그 출력 신호)

하우징 밖으로 나가는 비디오 케이블은 아날로그 영상 출력부에 연결되어야 합니다. (J8, 8.4 컨넥터 색인카드의 기술, 페이지 21).

9.2.2.2 비디오 케이블 연결 (IP 일반 카메라)

i IP 카메라 사용 시 RS-485 케이블과 비디오 케이블을 연결하지 마십시오.

하우징 밖으로 나가는 이더넷 네트워크 케이블은 일반 IP 카메라에 연결되어야 합니다.

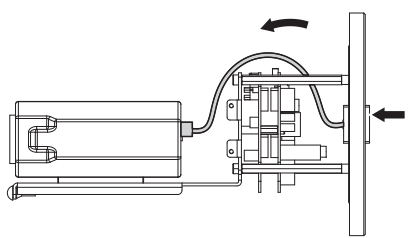


그림. 19

9.2.2.3 비디오 케이블 연결 (디지털 출력 신호)

i IP 카메라 사용 시 RS-485 케이블과 비디오 케이블을 연결하지 마십시오.

하우징 밖으로 나가는 이더넷 네트워크 케이블은 디지털 영상 출력부에 연결되어야 합니다 (J1, 8.4 컨넥터 색인카드의 기술, 페이지 21).

9.2.3 신호 케이블 연결

! 주의! 설치는 TNV-1 유형입니다. SELV. 회로를 연결하지 마십시오.

i 차폐 다극 케이블을 사용하십시오. 차폐 케이블의 편조를 단자 8에 연결하십시오. (J11, Tab. 13, 페이지 25).

출력 신호 케이블은 계전기, 알람, 직렬 회선, 공장 출하시 기본 커넥터에 연결되어야 합니다. (J11, 8.4 컨넥터 색인카드의 기술, 페이지 21).

단자 설명 (J11)	
단자 접점	기능
1	RS-485 A (+)
2	RS-485 B (-)
3	릴레이 1, 단자 A
4	릴레이 1, 단자 B
5	디지털 입력
6	GND
7	Reset
8	Shield

Tab. 13

9.2.3.1 직렬회선의 연결

제품은 내부적으로 종료된 한 half-duplex 커뮤니케이션 RS-485의 직렬라인을 규정합니다 (DIP1의 스위치 4는 기본 설정으로 ON에 위치합니다).

아날로그 카메라 버전의 경우 설정을 변경해야 할 수도 있습니다. RS-485 선을 내부적으로 종료되지 않게 구성하려면 DIP1의 스위치 4를 OFF 위치로 지정합니다 (8.3 제어반 설명, 페이지 21).

직렬 회선을 계전기 커넥터, 알람, 직렬 회선, 공장 출하시 기본 장치에 연결하십시오. (J11, 단자 1/단자 2, 8.4 컨넥터 색인카드의 기술, 페이지 21).

9.2.3.2 릴레이 연결



계전기는 아래 설명된 사양에 따라 사용할 수 있습니다. 작동 장력: 까지 30Vac 혹은 60Vdc. 전류: 1A max. 다음과 같은 특성을 가진만큼의 케이블을 사용: ~로부터 0.25mm² (24AWG) 까지 1.5mm² (16AWG).

계전기는 극성이 없으므로 동일한 계전기의 단자 두 개를 교환하거나 직류 전압으로 교환할 수 있습니다.

깨끗한 접점은 NO(normally open)입니다.

9.2.3.3 와이퍼 연결

드라이 컨택 NO (정상적으로 개방된)을 사용하여 원격조정에 의한 와이퍼를 작동시킬 수 있습니다. 깨끗한 접촉 케이블을 계전기, 알람, 직렬 회선, 공장 출하 시 기본 커넥터에 연결하십시오. (J11, 단자 5/단자 6, 8.4 컨넥터 색인카드의 기술, 페이지 21).

와이퍼 내장 버전의 경우 센서 커넥터 및 와이퍼 전원 공급선 커넥터로 배선을 연결하십시오. (J2, J5, 8.3 제어반 설명, 페이지 21).

9.3 접지



주의! 외부 등전위 연결은 제품 외부의 작은 구멍을 통해 설정해야 합니다. 보호 단자로 사용하지 마십시오.

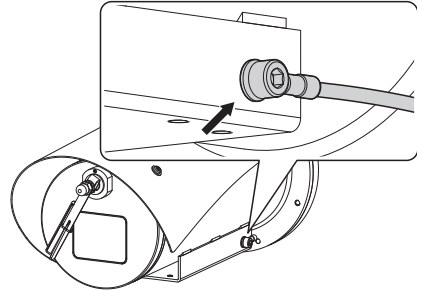


그림. 20

장치는 다음 최소 사양을 가진 외부 케이블로 접지된 등전위 본딩으로 연결되어야 합니다.: 4mm² (11AWG).

접지 등전위 본딩 케이블을 제공된 아일릿 에 연결합니다. 케이블에 적합:~로부터 4mm² 까지 6mm².

제공된 나사(M5)와 잠금 와셔를 사용해 아일릿을 고정하십시오.

나사의 특성 (M5)

- 재료: A4 등급 70
- 나사 머리: ISO 4762
- 길이: 12mm

법의 규칙에서 요구하는 추가 커넥션들을 실행하기 위해서 지면의 등전위 연결이 필요합니다.

9.4 하우징의 닫기

! 뚜껑을 닫기 전에 시스템 작동 결과가 양성인지 시험하고 위험 대기를 허용합니다.

! 제품의 개폐 작업을 수행하는 동안 방폭 연결 부위가 손상되지 않도록 주의하십시오.

! 후면 플랜지를 닫기 전에 O링 개스킷의 무결성을 확인하십시오. 밀봉이 손상된 경우 제공된 제품으로 교체하십시오.

i 하우징을 닫기 전에 배선들을 보완적 와이퍼 버전에 연결합니다 (J2, J5, 8.3 제어반 설명, 페이지 21).

뚜껑에 오물이나 부스러기가 없는지 확인합니다.

플랜지를 닫는 동안 혼선이 되지 않기 위해서 케이블들을 정리합니다.

하우징 본체와 플랜지 사이에 정렬된 홈들을 유지하면서 하우징 본체에 후면 플랜지를 삽입합니다.

! O-링 개스킷이 손상되지 않게 주의합니다.

이전에 제거했던 나사와 와셔를 조이십시오.

나사 속성

- 직경/나사 피치: M5x0.8
- 재료: A4 등급 70
- 나사 머리: ISO 4762
- 길이: 12mm
- 항복 응력 (min): 450N/mm²

! 나사는 항상 제공된 와셔로 고정해야 합니다.

! 고정동안 주의를 기울입니다. 조임 토크: ~로부터 8Nm 까지 9Nm.

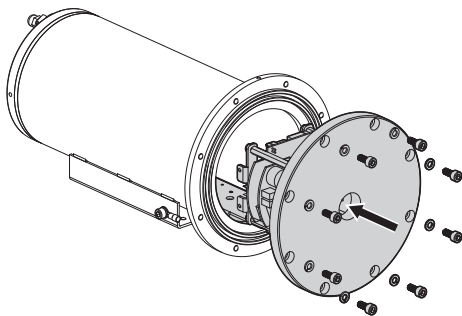


그림. 21

9.5 햇빛 차단기 고정하기

i 햇빛 가리개를 설치하기 전에 보호 필름을 제거하십시오 (있는 경우).

제공된 나사를 사용하여 하우징에 선실드를 고정할 수 있습니다.

장치의 받침에 있는 나사줄이 있는 구멍으로 나사줄 잠금 컴파운드(Loctite 270)를 넉넉히 도포합니다.

쓰레드 컴파운드는 한 시간 동안 굳어야 하며, 설치를 완료하기 전에 이 기간 동안 허용해야 합니다.

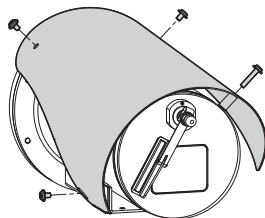



그림. 22

10 안전 운용을 위한 지시사항

10.1 안전 운용

 다음 작업들을 실행하기 전에 전원공급 전압이 올바른지 확인합니다.

10.1.1 시운전하기

설치를 시작하기에 앞서 본 사용자 핸드북의 전체 내용을 매우 주의깊게 읽어 주십시오.

VIDEOTEC은 장치를 최종 설치 장소에 설치하기 전에 및 성능을 시험해 볼 것을 강력히 권장합니다. 적합한 공구를 사용합니다.

뚜껑을 닫기 전에 시스템 작동 결과가 양성인지 시험하고 위험 대기를 허용합니다.

모든 장치들이 해당 응용 프로그램과 설치되는 환경에 대해 인증되어 있는지 확인합니다.

발화의 위험을 줄이기 위해서 잠재적으로 폭발성 대기가 존재하는 디바이스를 열지 마십시오.

시스템 시운전 후에는, 이 핸드북을 나중에 참고할 수 있도록 안전한 장소에 보관하십시오.

10.1.2 안전 규칙

개인 안전을 위한 모든 예방 조치가 취해져 있는지 확인합니다.

조작을 시작하기에 앞서, 전원 공급장치가 연결 해제되어 있는지 확인합니다.

시스템을 공급하기 전에 건물에 전기 설비에 과부하 보호 디바이스를 설치합니다.

전기 장비의 설치 시행 중인 현지 법률을 준수해야 합니다.

장치는 자격을 갖춘 기술자에 의해서만 배타적으로 설치되어야 합니다.

10.1.3 폭발 예방 규칙

작업하고 있는 영역에 적합한 알맞은 도구를 사용하십시오.

장치가 적절한 접지 도체에 연결되어야 한다는 것을 항상 기억하십시오.

기기에 대해 기술적 작업이나 유지보수를 하기 전에, 폭발을 야기할 수 있는 분위기가 존재하는지 확인하십시오.

조작을 시작하기에 앞서, 전원 공급장치가 연결 해제되어 있는지 확인합니다.

잠재적으로 폭발성 대기의 존재가 있는 가능성이 있다면 일부 캡을 열지 마십시오.


- 비폭발성 환경에서 연결, 설치 및 유지보수 작업을 수행하십시오.


11 켜짐

장치를 켜기 위해서 전기 전원공급에 연결합니다.


장치를 끄기위해서 전기 전원공급을 분리합니다.


11.1 폭발성 대기에 제품을 공급하기 전에

 장치와 다른 설비 구성요소들이 전압 하에 요소들과의 접촉을 방지하기에 적합한 방법으로 잘 닫혀져 있는지 확인합니다.


 장치가 설명된 대로 접지 연결에 연결되었는지 확인합니다.


 후면 커버 판이 제대로 닫혔는지 확인하십시오.


 완전한 경화까지 밀봉 준비가 실행되도록 놓아두고 엔트리 케이블의 시스템 밀봉(만약에 있다면)이 바르게 실행되었는지 확인합니다.


 모든 부품이 단단하고 안전하게 조여져 있는지 확인합니다.


12 유지보수


 기기에 대해 기술적 작업이나 유지보수를 하기 전에, 폭발을 야기할 수 있는 분위기가 존재하는지 확인하십시오.


 주의! 장치의 설치와 유지보수는 오직 기술 자격을 갖춘 기술자에 의해서만 실행되어야 합니다.


 기기에 대해 기술적 작업을 하기 전에, 전원 공급장치를 분리하십시오.

 제조사는 무단 개조, 비순정 예비 부품 사용, 비공인, 비숙련 인력의 설치, 유지관리 및 수리로 발생한 이 핸드북에 언급된 기구의 손상에 대해 어떠한 책임도 지지 않습니다.

 부품에 대한 손상이 있는 경우, 수리나 교체는 VIDEOTEC 에 의해 또는 감독 하에 이루어져야 합니다.

 표시된 부품을 교체할 때마다 항상 VIDEOTEC 예비 부품 정품을 사용하고 모든 예비 부품 키트와 함께 공급된 유지보수 지침을 정확하게 따르십시오.

 방폭 조인트 치수 정보는 제조사에 문의하십시오.

 모든 유지관리 중재의 경우 실험실로 제품을 돌려보내 필요한 모든 작업을 수행할 것을 권장합니다.

VIDEOTEC 의 기술 서비스 센터에 연결되어졌을 때 유일하게 장치를 확인할 수 있는 코드인 일련번호가 제공되어야 합니다.

12.1 퓨즈의 교체

! 주의! 화재의 위험에 대해 보호를 보장하기 위해서는 같은 유형과 가치를 가진 퓨즈로 교체합니다. 퓨즈들은 오직 자격을 갖춘 기술자들에 의해서만 교체되어야 합니다.

사용되는 퓨즈는 아래에 명시되어 있습니다.

퓨즈의 교체	
전원공급의 전압	퓨즈 (FUS1)
12Vdc	T 2A H 250V 5x20
24Vdc	T 2A H 250V 5x20
24Vac, 50/60Hz	T 2A H 250V 5x20

Tab. 14

대신 동일한 특성을 가진 승인된 퓨즈를 사용하십시오. 슬라이드를 고정하는 나사를 바닥의 스페이스에 조이고 커넥터를 보드에서 분리하십시오.

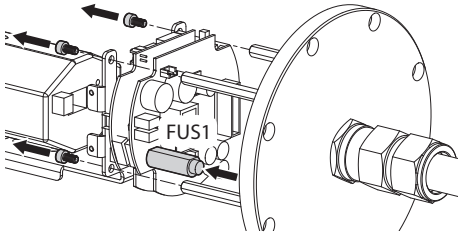
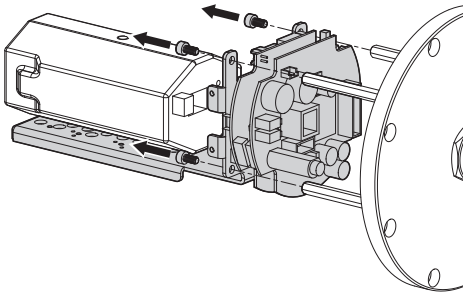


그림. 23

12.2 슬라이드 교체



슬라이드를 고정하는 나사를 바닥의 스페이스에 조이고 커넥터를 보드에서 분리하십시오.

그림. 24

12.3 후면 플랜지의 개스킷을 교체합니다

O링 개스킷이 열화된 경우 제공된 개스킷으로 교체하십시오. 장비에 있는 개스킷이 없는 경우 VIDEOTEC 오리지널 부품들만 사용합니다.

주의하면서 개스킷이 있던 그 자리에 바르게 삽입하여 개스킷을 교체합니다.

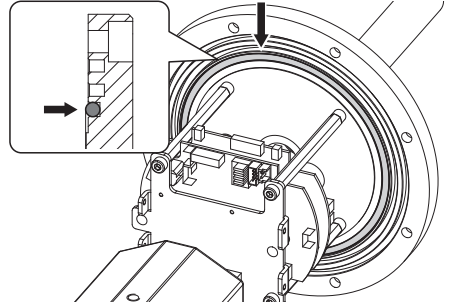


그림. 25

12.4 와이퍼 블레이드 교체

와이퍼가 장착된 모델의 경우 많은 블레이드는 교체할 수 있습니다.

블레이드를 고정하는 리벳 너트를 풀고 제거합니다. 많은 블레이드를 새 것으로 교체합니다. 블레이드가 유리에 올바르게 밀착할 때까지 리벳 너트를 조절 및 고정하여 위치를 지정합니다. 와이퍼를 활성화하여 블레이드가 올바르게 조정되었는지 점검합니다.

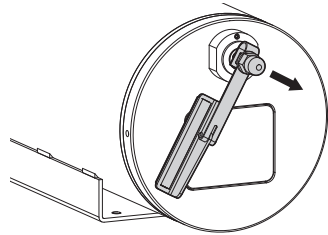


그림. 26

13 청소

i 주파수는 제품을 사용할 환경의 유형에 따라 다릅니다.

13.1 유리 청소하기

제품은 물이나 위험 요소를 발생시키지 않는 기타 액체 세제로 청소해야 합니다.

13.2 게르마늄 창 청소

! 장치가 작동 중일 때 보호의 그리드는 항상 있어야 합니다. 이 지시를 준수하지 않는다면 기술자와 설비에 심각한 위험들을 가져올 수 있고 그 외 보증이 무효화 될 수 있습니다.

! 에틸 알콜, 용매, 하이드로제네티드 하이드로카본, 강한 산 그리고 알카리를 피합니다. 이 제품의 사용은 처리된 표면이 복구할 수 없을 정도로 손상되었습니다.

! 탄소 코팅 처리된 외부 표면이 긁히거나 손상되지 않도록 창 청소 시 주의하십시오. 이 코팅이 손상되면 표면의 자외선 투명도도 저해할 수 있습니다.

물로 희석한 순한 비누로 청소해야 합니다.

개의 스크류와 스파크-내구성 도구를 사용하여 전면 하우징에 있는 와셔들을 풀면서 보호 그리드를 제거합니다.

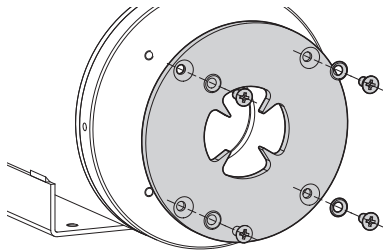


그림. 27 작은 격자.

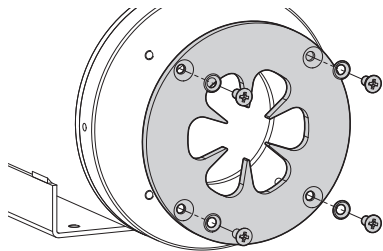


그림. 28 큰 격자.

청소를 했다면 관련된 스크류들과 와셔들로 보호 그리드를 재조립합니다.

13.3 제품 청소

! 제품의 외부 표면에 먼지가 5mm 이상 쌓이지 않도록 하십시오.

장치는 젖은 천으로 청소해야 하며 압축 공기를 사용하지 마십시오.

14 폐기 및 재활용 정보

유럽 전자 폐기물 (WEEE) 지침 2012/19/EU 은 기기들이 일반적으로 고형 폐기물의 절차에 따라 처리 되지 말아야 하며 재활용과 회수를 최적화 하기 위해 별도로 수집되어야 한다고 규정한다. 이는 잠재적 유해 물질이 인간의 건강과 환경에 미칠 영향을 줄이기 위해서이다.



이를 기억하기 위해 심볼은 모든 제품에 마킹되어야 한다.

쓰레기는 적절한 수거 센터로 배달되거나 신규로 상응하는 제품 구매할 때 무상으로 유통업자에게 전달될 수 있다. 또는 25cm 보다 작은 크기의 장비를 신규 구매시는 의무 없이 유통업자에게 전달 될 수 있다.

이러한 기기의 올바른 처분에 대해서는 담당 공무원에게 문의 할 수 있다.

15 Troubleshooting



위 목록의 문제가 지속되거나 여기에서 설명하지 않은 다른 문제가 있는 경우 공인 서비스 센터로 문의하십시오.

문제	제품은 켜지지 않습니다.
원인	배선이 잘못되면 퓨즈가 파손됩니다.
해결책	연결의 올바른 실행을 확인합니다. 퓨즈 연결을 점검하고 잘못된 경우 지정 모델로 교체하십시오.
문제	와이퍼가 차단되었고 명령에 응답하지 않습니다.
원인	와이퍼가 걸렸거나 망가졌습니다.
해결책	와이퍼가 자유롭게 이동할 수 있는지 확인합니다. 와이퍼 케이블이 분리되거나 손상되지 않았는지 확인하십시오.

16 기술 데이터

16.1 MAXIMUS MVX

16.1.1 기계

선 실드 파라솔

통합 와이퍼

단일 중량:

- 6kg (하우징만)
- 8.5kg (4m 다극 케이블 실드가 있는 하우징)
- 12kg (10m 다극 케이블 실드가 있는 하우징)

16.1.2 케이블 글랜드

케이블 인입구: 구멍 1개, 3/4", NPT

Ex db 3/4" NPT 포함 케이블 글랜드 및 사전 설치된 다극 외장 케이블, 4m/10m 또는 케이블 꼬리, 4m/10m (도관이 설치된 경우 도관 밀봉 부속 및 도관은 포함되어 있지 않습니다)

16.1.3 하우징 창

재료: 열강화 유리

- 크기들: 51x41mm
- 두께: 12mm

16.1.4 전기

전원공급의 전압/흡수류 (가열 켜짐, Ton 15°C ± 3°C, Toff 22°C ± 3°C):

- 24Vac ± 10%, 2.2A, 50/60Hz
- 24Vdc ± 5%, 2.2A
- 12Vdc ± 5%, 3.5A

16.1.5 네트워크

이더넷 연결 (제품의 IP 버전용으로만): 10BASE-T/100BASE-T

커넥터: RJ45

케이블 길이: 100m max

16.1.6 직렬 통신

직렬 인터페이스

- 라인 RS-485, half-duplex
- 케이블 길이: 1200m max
- 장치 주소 지정 가능: 255 (OSM을 통한 구성)

직렬 통신 프로토콜

- PANASONIC 850: 9600baud, 19200baud
- PELCO D: 2400baud, 9600baud
- VIDEOTEC MACRO: 9600baud, 38400baud

16.1.7 비디오

비디오 인코더

- 통신 프로토콜: ONVIF, 프로파일 S
- 장치를 형성하기 위해서: TCP/IPv4-IPV6, UDP/IPv4-IPV6, HTTP, NTP, DHCP, WS-DISCOVERY, QoS, IGMP (Multicast)
- Streaming: RTSP, RTCP, RTP/IPv4
- 동영상 압축: H.264/AVC, MJPEG
- 형성에 따라 유출 독립형 비디오: 2
- 이미지 감소: 부터 Full D1 (720x576 PAL, 720x480 NTSC) 352x240
- Web Server

16.1.8 I/O 인터페이스

경보 카드 I/O

- 경보 입력들: 1
- 릴레이 출력: 1 (1A, 30Vac/60Vdc max)

케이블 길이: 200m max

와이퍼 내장 버전

- 원격 와이퍼 활성화: 1 입력, 무전압 접점 NO

16.1.9 카메라

흡수력 (어셈블리, 카메라 및 렌즈)

- 동영상 인코더 IP 미포함: 8W
- 동영상 인코더 IP 포함: 6W

카메라와 하우징의 창 사이에 최소 간격: 4mm(0.16 인치)

카메라 치수/설치 가능한 렌즈 (WxHxL)

- 동영상 인코더 미포함: 70x65x140mm
- 동영상 인코더 포함: 70mmx65mmx120mm

16.1.10 환경

실내 및 실외 환경에 설치

동작 온도:

- 콜드 스타트 ~로부터 -40°C 까지 +65°C
- 작동 ~로부터 -50°C 까지 +65°C

상대 습도: ~로부터 10% 까지 95% (비응축)

16.1.11 인증서

ATEX (EN 60079-0: 2012, EN 60079-1: 2014, EN 60079-31: 2014)

- Ⓜ II 2 G Ex db IIC T5 Gb
- Ⓜ II 2 D Ex tb IIIC T100°C Db IP66/IP68
-60°C ≤ Ta ≤ +65°C
- Ⓜ II 2 G Ex db IIC T5 Gb
- Ⓜ II 2 D Ex tb IIIC T100°C Db IP66/IP68
-50°C ≤ Ta ≤ +65°C
- Ⓜ II 2 G Ex db IIC T6 Gb
- Ⓜ II 2 D Ex tb IIIC T85°C Db IP66/IP68
-60°C ≤ Ta ≤ +55°C
- Ⓜ II 2 G Ex db IIC T6 Gb
- Ⓜ II 2 D Ex tb IIIC T85°C Db IP66/IP68
-50°C ≤ Ta ≤ +55°C

IECEx (IEC 60079-0: 2011 Ed.6, IEC 60079-1: 2014-06 Ed.7, IEC 60079-31: 2013 Ed.2)

- Ex db IIC T5 Gb
- Ex tb IIIC T100°C Db IP66/IP68
-60°C ≤ Ta ≤ +65°C
- Ex db IIC T5 Gb
- Ex tb IIIC T100°C Db IP66/IP68
-50°C ≤ Ta ≤ +65°C
- Ex db IIC T6 Gb
- Ex tb IIIC T85°C Db IP66/IP68
-60°C ≤ Ta ≤ +55°C
- Ex db IIC T6 Gb
- Ex tb IIIC T85°C Db IP66/IP68
-50°C ≤ Ta ≤ +55°C

TYPE 6P, TYPE 4X (UL50E)

IP69 (EN/IEC60529), 하우징만

IP66/IP67/IP68 (2 시간, 5m, EN/IEC60529)

16.2 MAXIMUS MVXT

16.2.1 기계

선 실드 파라솔

단일 중량:

- 6kg (하우징만)
- 8.5kg (4m 다극 케이블 실드가 있는 하우징)
- 12kg (10m 다극 케이블 실드가 있는 하우징)

16.2.2 케이블 글랜드

케이블 인입구: 구멍 1개, 3/4", NPT

Ex db 3/4"NPT 포함 케이블 그랜드 및 사전 설치된 다극 외장 케이블, 4m/10m 또는 케이블 꼬리, 4m/10m (도관이 설치된 경우 도관 밀봉 부속 및 도관은 포함되어 있지 않습니다)

16.2.3 하우징 창

게르마늄 창 (큰 격자)

- 사용 가능 직경: 57mm
- 두께: 10mm
- 외부 처리: 굽힘 방지 (Hard Carbon Coating - DLC), 반사 방지
- 내부 처리: 반사 방지
- 스펙트럼의 범위: ~로부터 7.5 μ m 까지 14 μ m
- 중간 투과율 (~로부터 7.5 μ m 까지 11.5 μ m): 87.3%
- 중간 투과율 (~로부터 11.5 μ m 까지 14 μ m): 67.3%

게르마늄 창 (작은 격자)

- 사용 가능 직경: 40mm
- 두께: 8mm
- 외부 처리: 굽힘 방지 (Hard Carbon Coating - DLC), 반사 방지
- 내부 처리: 반사 방지
- 스펙트럼의 범위: ~로부터 7.5 μ m 까지 14 μ m
- 중간 투과율 (~로부터 7.5 μ m 까지 11.5 μ m): 87.5%
- 중간 투과율 (~로부터 11.5 μ m 까지 14 μ m): 72.1%

16.2.4 전기

전원공급의 전압/흡수류 (가열 켜짐, Ton 15°C \pm 3°C, Toff 22°C \pm 3°C):

- 24Vac \pm 10%, 2.2A, 50/60Hz
- 24Vdc \pm 5%, 2.2A
- 12Vdc \pm 5%, 3.5A

16.2.5 네트워크

이더넷 연결 (제품의 IP 버전용으로만): 10BASE-T/100BASE-T

커넥터: RJ45

케이블 길이: 100m max

16.2.6 직렬 통신

직렬 인터페이스

- 라인 RS-485, half-duplex
- 케이블 길이: 1200m max
- 장치 주소 지정 가능: 255 (OSM을 통한 구성)

직렬 통신 프로토콜

- PANASONIC 850: 9600baud, 19200baud
- PELCO D: 2400baud, 9600baud
- VIDEOTEC MACRO: 9600baud, 38400baud

16.2.7 비디오

i 비디오 인코더 모델이 설치되었는지 확인하려면 코드 표로 표시된 라벨의 제품 코드를 비교해야 합니다 (5 제품 코드, 페이지 14). 에디션 열에서 모델을 식별할 수 있습니다 (A 혹은 B).

비디오 인코더 (릴리스 A)

- 통신 프로토콜: ONVIF, 프로파일 S
- 장치를 형성하기 위해서: TCP/IPv4-IPv6, UDP/IPv4-IPv6, HTTP, NTP, DHCP, WS-DISCOVERY, QoS, IGMP (Multicast)
- Streaming: RTSP, RTCP, RTP/IPv4
- 동영상 압축: H.264/AVC, MJPEG
- 형성에 따라 유출 독립형 비디오: 2
- 이미지 감소: 부터 Full D1 (720x576 PAL, 720x480 NTSC) 352x240
- Web Server

비디오 인코더 (릴리스 B)

- 통신 프로토콜: ONVIF, 프로필 S 및 프로필 Q
- Streaming: RTSP, RTCP, RTP/IPv4, Multicast
- 동영상 압축: H.264/AVC, MJPEG, MPEG4, JPEG
- 최대 3개의 동시 비디오 스트림
- 이미지 감소: 부터 Full D1 (720x576 PAL, 720x480 NTSC) 352x240
- 초당 1에서 60 이미지들의 형성할 수 있는 프레임률 (ips)
- Web Server

16.2.8 I/O 인터페이스

경보 카드 I/O

- 경보 입력들: 1
- 릴레이 출력: 1 (1A, 30Vac/60Vdc max)

케이블 길이: 200m max

16.2.9 카메라

흡수력 (어셈블리, 카메라 및 렌즈)

- 동영상 인코더 IP 미포함: 8W
- 동영상 인코더 IP 포함: 6W

카메라와 하우징의 창 사이에 최소 간격: 4mm(0.16 인치)

카메라 치수/설치 가능한 렌즈 (WxHxL)

- 동영상 인코더 미포함: 70x65x140mm
- 동영상 인코더 포함: 70mmx65mmx120mm

16.2.10 환경

실내 및 실외 환경에 설치

동작 온도:

- 쿨드 스타트 ~로부터 -40°C 까지 +65°C
- 작동 ~로부터 -50°C 까지 +65°C

상대 습도: ~로부터 10% 까지 95% (비응축)

16.2.11 인증서

ATEX (EN 60079-0: 2012, EN 60079-1: 2014, EN 60079-31: 2014)

Ⓜ II 2 G Ex db IIC T5 Gb
 Ⓜ II 2 D Ex tb IIIC T100°C Db IP66/IP68
 -60°C ≤ Ta ≤ +65°C

Ⓜ II 2 G Ex db IIC T5 Gb
 Ⓜ II 2 D Ex tb IIIC T100°C Db IP66/IP68
 -50°C ≤ Ta ≤ +65°C

Ⓜ II 2 G Ex db IIC T6 Gb
 Ⓜ II 2 D Ex tb IIIC T85°C Db IP66/IP68
 -60°C ≤ Ta ≤ +55°C

Ⓜ II 2 G Ex db IIC T6 Gb
 Ⓜ II 2 D Ex tb IIIC T85°C Db IP66/IP68
 -50°C ≤ Ta ≤ +55°C

IECEx (IEC 60079-0: 2011 Ed.6, IEC 60079-1: 2014-06 Ed.7, IEC 60079-31: 2013 Ed.2)

Ex db IIC T5 Gb
 Ex tb IIIC T100°C Db IP66/IP68
 -60°C ≤ Ta ≤ +65°C

Ex db IIC T5 Gb
 Ex tb IIIC T100°C Db IP66/IP68
 -50°C ≤ Ta ≤ +65°C

Ex db IIC T6 Gb
 Ex tb IIIC T85°C Db IP66/IP68
 -60°C ≤ Ta ≤ +55°C

Ex db IIC T6 Gb
 Ex tb IIIC T85°C Db IP66/IP68
 -50°C ≤ Ta ≤ +55°C

TYPE 6P, TYPE 4X (UL50E)

IP69 (EN/IEC60529), 하우징만

IP66/IP67/IP68 (2 시간, 5m, EN/IEC60529)

16.3 MAXIMUS MVXHD

16.3.1 기계

선 실드 파라솔

통합 와이퍼

단일 중량:

- 6kg (하우징만)
- 8.5kg (4m 다극 케이블 실드가 있는 하우징)
- 12kg (10m 다극 케이블 실드가 있는 하우징)

16.3.2 케이블 글랜드

케이블 인입구: 구멍 1개, 3/4", NPT

Ex db 3/4"NPT 포함 케이블 그랜드 및 사전 설치된 다극 외장 케이블, 4m/10m 또는 케이블 꼬리, 4m/10m (도관이 설치된 경우 도관 밀봉 부속 및 도관은 포함되어 있지 않습니다)

16.3.3 하우징 창

재료: 열강화 유리

크기들: 51x41mm

두께: 12mm

16.3.4 전기

전원공급의 전압/흡수류 (가열 켜짐, Ton 15°C±3°C, Toff 22°C±3°C):

- 24Vac ±10%, 2.2A, 50/60Hz
- 24Vdc ±5%, 2.2A
- 12Vdc ±5%, 3.5A

16.3.5 비디오

i 비디오 인코더 모델이 설치되었는지 확인하려면 코드 표로 표시된 라벨의 제품 코드를 비교해야 합니다 (5 제품 코드, 페이지 14). 에디션 열에서 모델을 식별할 수 있습니다 (A 혹은 B).

비디오 인코더 (릴리스 A)

- 통신 프로토콜: ONVIF, 프로파일 S
- 장치를 형성하기 위해서: TCP/IPv4-IPv6, UDP/IPv4-IPv6, HTTP, HTTPS, NTP, DHCP, WSDISCOVERY, QoS, DSCP, IGMP (Multicast), SOAP, DNS, SNMP
- Streaming: RTSP, RTCP, RTP/IPv4, Multicast
- 동영상 압축: H.264/AVC, MJPEG
- 형성에 따라 2 유출 독립형 비디오 Full HD 혹은 4 유출 독립형 비디오
- 이미지 감소: 18스텝에서 FullHD로부터 352x240 에까지
- 초당 1에서 60 이미지들의 형성할 수 있는 프레임률 (ips)
- Web Server
- Motion Detection

비디오 인코더 (릴리스 B)

- 통신 프로토콜: ONVIF, 프로파일 S 및 프로파일 Q
- 장치를 형성하기 위해서: TCP/IPv4-IPv6, UDP/IPv4-IPv6, HTTP, HTTPS, NTP, DHCP, WSDISCOVERY, DSCP, IGMP (Multicast), SOAP, DNS
- Streaming: RTSP, RTCP, RTP/IPv4, HTTP, Multicast
- 동영상 압축: H.264/AVC, MJPEG, JPEG, MPEG4
- 3개의 독립 비디오 스트림 Full HD
- 이미지 감소: ~로부터 320x180 까지 1920x1080 6 스텝에서
- 초당 1에서 60 이미지들의 형성할 수 있는 프레임률 (ips)
- Web Server
- Motion Detection

16.3.6 네트워크

이더넷 연결

- 비디오 인코더 A: 10BASE-T/100BASE-T
- 비디오 인코더 B: 100BASE-TX

케넥터: RJ45

케이블 길이: 100m max

16.3.7 I/O 인터페이스

경보 카드 I/O

- 경보 입력들: 1
- 릴레이 출력: 1 (1A, 30Vac/60Vdc max)

케이블 길이: 200m max

16.3.8 카메라

흡수력 (어셈블리, 카메라 및 렌즈)

- 동영상 인코더 IP 미포함: 8W
- 동영상 인코더 IP 포함: 6W

카메라와 하우징의 창 사이에 최소 간격: 4mm(0.16 인치)

카메라 치수/설치 가능한 렌즈 (WxHxL)

- 동영상 인코더 미포함: 70x65x140mm
- 동영상 인코더 포함: 70mmx65mmx100mm

16.3.9 환경

실내 및 실외 환경에 설치

동작 온도:

- 콜드 스타트 ~로부터 -40°C 까지 +65°C
- 작동 ~로부터 -50°C 까지 +65°C

상대 습도: ~로부터 10% 까지 95% (비응축)

16.3.10 인증서

ATEX (EN 60079-0: 2012, EN 60079-1: 2014, EN 60079-31: 2014)

Ⓜ II 2 G Ex db IIC T5 Gb
 Ⓜ II 2 D Ex tb IIIC T100°C Db IP66/IP68
 -60°C ≤ Ta ≤ +65°C

Ⓜ II 2 G Ex db IIC T5 Gb
 Ⓜ II 2 D Ex tb IIIC T100°C Db IP66/IP68
 -50°C ≤ Ta ≤ +65°C

Ⓜ II 2 G Ex db IIC T6 Gb
 Ⓜ II 2 D Ex tb IIIC T85°C Db IP66/IP68
 -60°C ≤ Ta ≤ +55°C

Ⓜ II 2 G Ex db IIC T6 Gb
 Ⓜ II 2 D Ex tb IIIC T85°C Db IP66/IP68
 -50°C ≤ Ta ≤ +55°C

IECEx (IEC 60079-0: 2011 Ed.6, IEC 60079-1: 2014-06 Ed.7, IEC 60079-31: 2013 Ed.2)

Ex db IIC T5 Gb
 Ex tb IIIC T100°C Db IP66/IP68
 -60°C ≤ Ta ≤ +65°C

Ex db IIC T5 Gb
 Ex tb IIIC T100°C Db IP66/IP68
 -50°C ≤ Ta ≤ +65°C

Ex db IIC T6 Gb
 Ex tb IIIC T85°C Db IP66/IP68
 -60°C ≤ Ta ≤ +55°C

Ex db IIC T6 Gb
 Ex tb IIIC T85°C Db IP66/IP68
 -50°C ≤ Ta ≤ +55°C

TYPE 6P, TYPE 4X (UL50E)

IP69 (EN/IEC60529), 하우징만

IP66/IP67/IP68 (2 시간, 5m, EN/IEC60529)

17 기술 도면

i 측정 단위는 밀리미터로 표시됩니다.

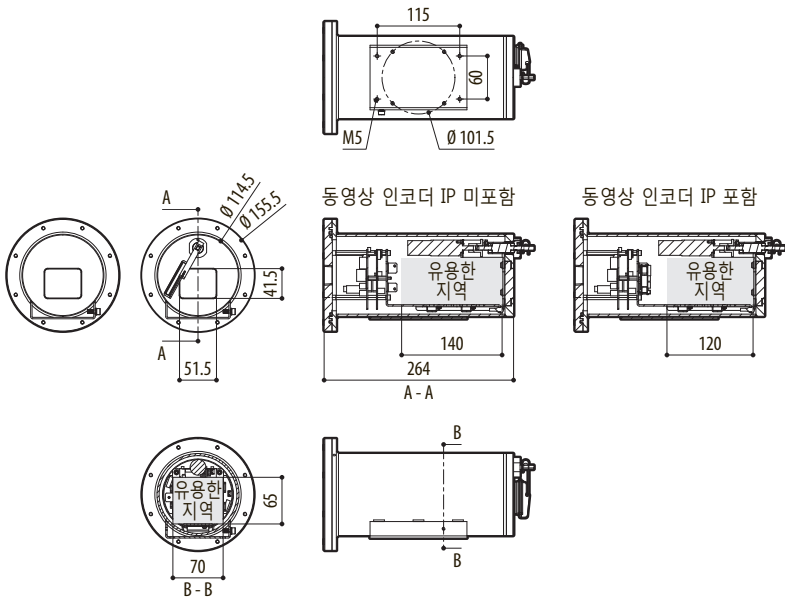


그림. 29 MAXIMUS MVX.

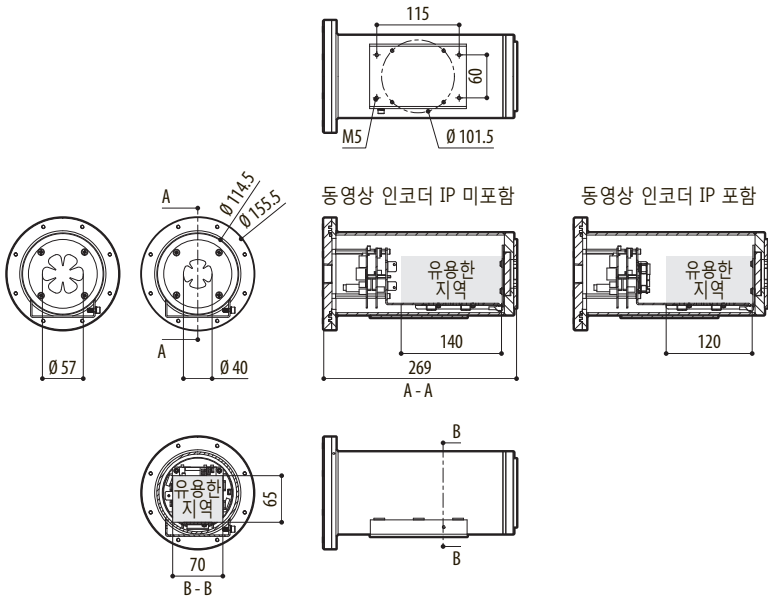


그림. 30 MAXIMUS MVXT.

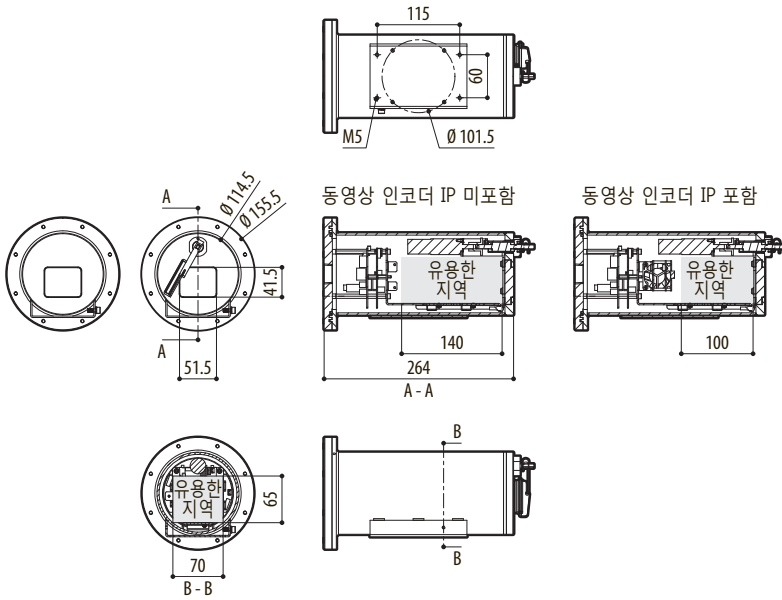


그림. 31 MAXIMUS MVXHD.

Headquarters Italy Videotec S.p.A.
Via Friuli, 6 - I-36015 Schio (VI) - Italy
Tel. +39 0445 697411 - Fax +39 0445 697414
Email: info@videotec.com

Asia Pacific Videotec (HK) Ltd
Flat 8, 19/F. On Dak Industrial Building, No. 2-6 Wah Sing Street
Kwai Chung, New Territories - Hong Kong
Tel. +852 2333 0601 - Fax +852 2311 0026
Email: info.hk@videotec.com

France Videotec France SARL
Immeuble Le Montreal, 19bis Avenue du Québec, ZA de Courtaboeuf
91140 Villebon sur Yvette - France
Tel. +33 1 60491816 - Fax +33 1 69284736
Email: info.fr@videotec.com

Americas Videotec Security, Inc.
Gateway Industrial Park, 35 Gateway Drive, Suite 100
Plattsburgh, NY 12901 - U.S.A.
Tel. +1 518 825 0020 - Fax +1 518 825 0022
Email: info.usa@videotec.com



www.videotec.com

MNVCMVXTHD_1813_KO

Headquarters Italy Videotec S.p.A.

Via Friuli, 6 - I-36015 Schio (VI) - Italy
Tel. +39 0445 697411 - Fax +39 0445 697414
Email: info@videotec.com

Asia Pacific Videotec (HK) Ltd

Flat 8, 19/F. On Dak Industrial Building, No. 2-6 Wah Sing Street
Kwai Chung, New Territories - Hong Kong
Tel. +852 2333 0601 - Fax +852 2311 0026
Email: info.hk@videotec.com

France Videotec France SARL

Immeuble Le Montreal, 19bis Avenue du Québec, ZA de Courtaboeuf
91140 Villebon sur Yvette - France
Tel. +33 1 60491816 - Fax +33 1 69284736
Email: info.fr@videotec.com

Americas Videotec Security, Inc.

Gateway Industrial Park, 35 Gateway Drive, Suite 100
Plattsburgh, NY 12901 - U.S.A.
Tel. +1 518 825 0020 - Fax +1 518 825 0022
Email: info.usa@videotec.com - www.videotec.com



www.videotec.com

MNVCMVXTHD_1813