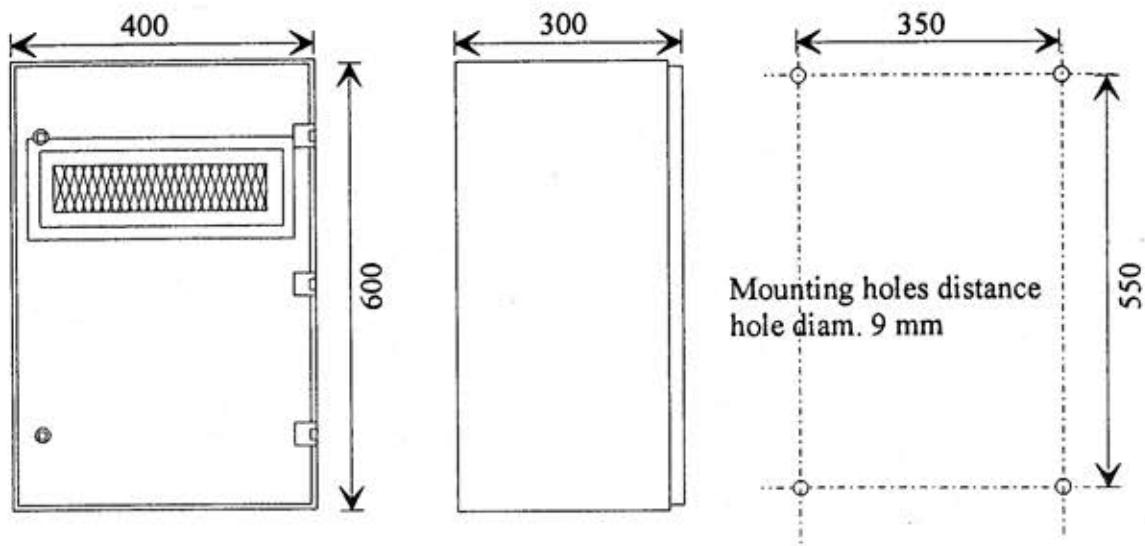


VMP Integrated Communication System



Article no:
VMP-16/2

Description

VMP-16/2

- The exchange circuitry is built into a steel cabinet.
- Equipped with temperature controlled cooling fan for highest reliability in tropic climate. Air filtering is incorporated.
- Easy access to the subscriber cable terminals.
- Memory is protected against power failure because it is stored in EPROM.
- Short circuiting protected subscriber lines.
- Free programming of subscriber numbers and groups
- The cabling between VMP exchange and the stations is based on a star wiring concept with 2 pairs to each station

Conform to the following product specification:

EMC emission: EN 50081-1: 1992

Test metode:

EN 55022/requirement group B

EMC immunity: EN 50082-1: 1992

Test metode:

IEC 801-3 (Performance criteria A)

ENV 50140: 1993

IEC 801-4 (Performance criteria B)

IEC 801-2 (Performance criteria B)

Test reference:

Report No.: 96-1052

Issued by: Det Norske Veritas AS

Technical data

Supply voltage	24 VAC
Max. power consumption (fully equipped without power amplifiers):	100W @ 24V DC or 24VAC
Max. power consumption (fully equipped with power amplifiers):	400W @ 24VDC or 24VAC
Temperature range	+5 - 55°C
Recommended room temp	max. 40°C
Max. no. of subscribers	16
Max. no. of speech channels	2
Numbering plan	Programmable
No. of audio program channels	2
Output power to station	3-4 W in 20 ohm 1 W in 63 ohm
Output power, P.A. loudspeakers 100V line	15 W, 50 W, 100W (available from built-in amplifiers)
System frequency range:	300 - 5.000 Hz
Installation cable connection:	Screw terminals
Cable requirements between exchange and station:	2 pair, min. 0.5 sq.mm core diam. Revolved in pairs with an outer screen, like RCOP
Max. cable length to station:	1.4 km (0.5 sq.mm core diam.)
Dimensions: (W x H x D)	see drw. above
Weight (Fully equipped)	max. 24 kg
IP class	55
Mounting	Wall