

A

Sonora

SONFL1X Combined Sounder Xenon Beacon
 10 Selectable Tones & 2 Stages
 5J Xenon Flash Tube
 Three Modes: Flashing 1Hz (AC & DC Units),
 Flashing 1.5Hz (DC Units Only),
 Double Strike (DC Units Only).
 Note: Only 1Hz Flashing mode is CPR/VdS approved.
 Only 24V dc Version is CPR/VdS Approved.
 CE
 IP Rating: IP66

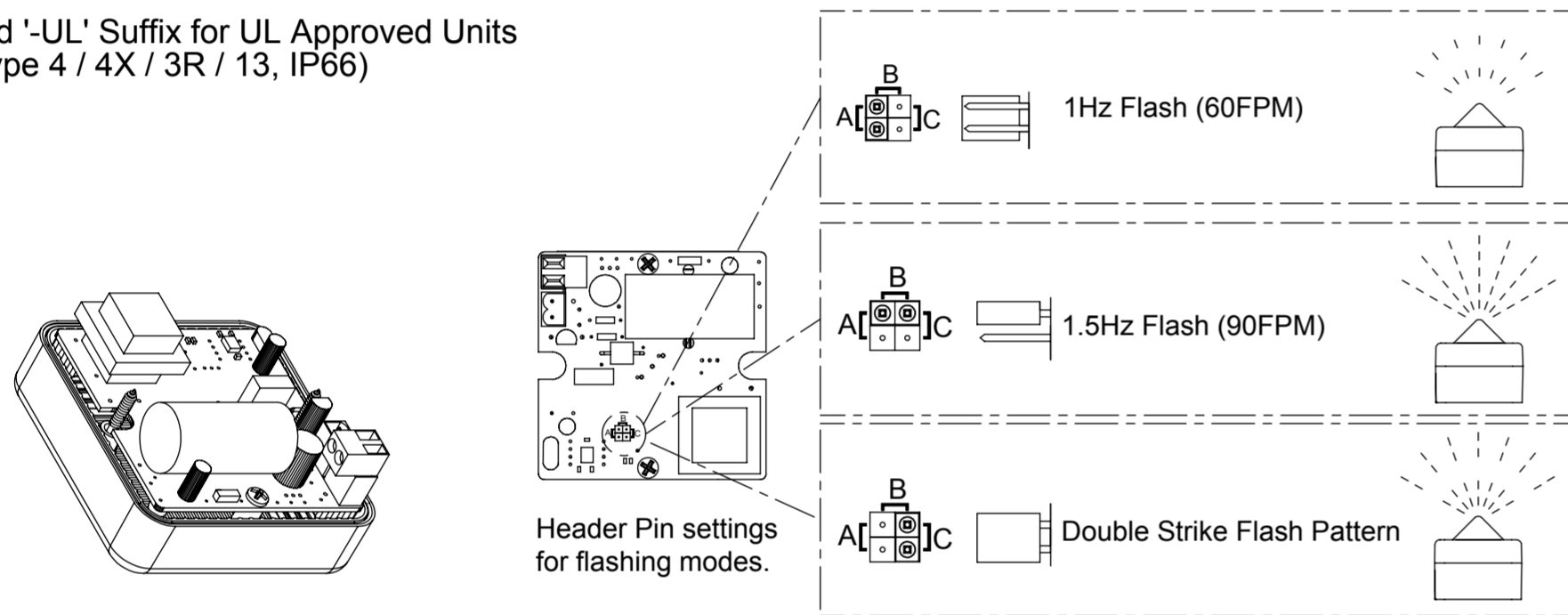
SONFL1X

Dimensions : 172 x 86 x 83mm
 1.5mm² terminals
 Cable entry: 1-off M20 x 1.5mm
 Temp: -25 °C to +55 °C
 Unit weight: 0.46Kg

Order code	Voltage Range	Nominal Voltage	Sounder Current @Tone 2	Beacon Current
SONFL1XDC012[X]/[Y]	10-14V dc	12 V dc	25mA	500mA
SONFL1XDC024[X]/[Y]	20-28V dc	24 V dc	25mA	250mA
SONFL1XAC024[X]/[Y]	24V ± 10% V ac	24 V ac	40mA	300mA
SONFL1XAC115[X]/[Y]	115 ± 10% V ac	115 V ac	13mA	70mA
SONFL1XAC230[X]/[Y]	230 ± 10% V ac	230 V acv	13mA	35mA

[X] Denotes Body Colour,
 [Y] Denotes Lens Colour: Note CPR Approved units
 only available in C = Clear

Add '-UL' Suffix for UL Approved Units
 (Type 4 / 4X / 3R / 13, IP66)



Tel : +44 (0)2 8743 8880 Fax : +44 (0)20 8740 4200
 mail : sales@e2s.com web : www.e2s.com



B

- ATTENTION:** Installation must be carried out by an electrician in compliance with the latest codes and regulations.
- ATTENTION:** Disconnect from power source before installation or service to prevent electric shock.
- ATTENTION:** On strobe beacons allow a minimum of 2 minutes for hazardous high voltage to discharge from unit.

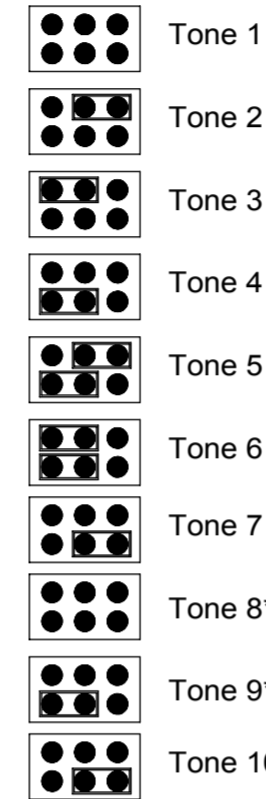


No liability is accepted for any consequences of the use of this document. The technical specification of this unit is subject to change without notice due to our policy of continual product development. All dimensions/weights are approximate. This unit is sold subject to our standard conditions of sale, a copy of which is available on request.

C

12V DC and 24V DC Tone Table

Stage 1	Tone Description	SONF1 dB@ 1m	Waveform	Stage 2
1	800/1000 Hz @ 0.25 sec Alternating BS5839 Alarm Tone	99dB(A) @1m		8
2	500/1200 Hz @ 0.3 Hz 0.5 sec Slow Whoop NEN 2575:2000	100dB(A) @1m		1
3	Sawtooth 1200/500 Hz @ 1 Hz - DIN / PFEER P.T.A.P	99dB(A) @1m		8
4	544Hz (100mS)/440 Hz (400mS) AFNOR NF S 32-001	97dB(A) @1m		9
5	Simulated Bell Sound	95dB(A) @1m		1
6	Sweeping 800/1000 Hz @ 7 Hz Sweeping	99dB(A) @1m		8
7	500-1200 Hz 3.75 sec / 0.25 sec Australian Evacuation	100dB(A) @1m		10
8	Continuous 1000 Hz - PFEER toxic gas	100dB(A) @1m		-
9	Continuous 554 Hz	97dB(A) @1m		-
10	420 Hz @ 0.625 sec Australian Alert	97dB(A) @1m		-



*To set tones 8, 9 & 10 as a first stage connect terminal 'S2' to '-' terminal.

115V AC and 230V AC Tone Table

Stage 1	Tone Description	SONF1 dB@ 1m	Waveform
1	800/1000 Hz @ 0.25 sec Alternating BS5839 Alarm Tone	99dB(A) @1m	
2	500/1200 Hz @ 0.3 Hz 0.5 sec Slow Whoop NEN 2575:2000	100dB(A) @1m	
3	Sawtooth 1200/500 Hz @ 1 Hz - DIN / PFEER P.T.A.P	99dB(A) @1m	
4	544Hz (100mS)/440 Hz (400mS) AFNOR NF S 32-001	97dB(A) @1m	
5	Continuous 1000 Hz - PFEER toxic gas	100dB(A) @1m	
6	Simulated Bell Sound	95dB(A) @1m	
7	800/1000 Hz @ 7 Hz Sweeping	99dB(A) @1m	
8	2400/2900 Hz 50 Hz Sweeping	100dB(A) @1m	
9	420 Hz @ 0.625 sec Australian Alert	97dB(A) @1m	
10	500-1200 Hz 3.75 sec / 0.25 sec Australian Evacuation	100dB(A) @1m	

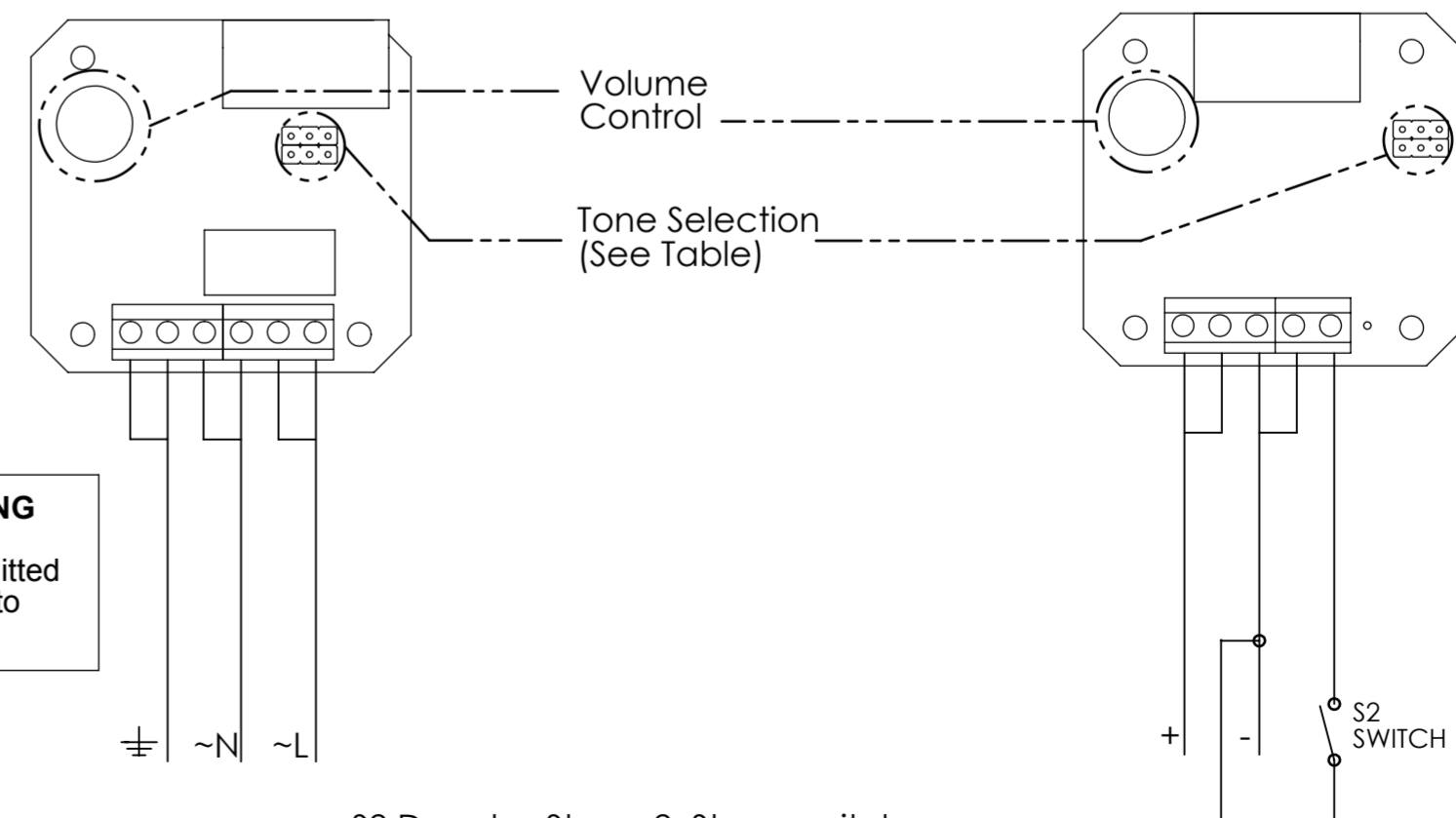
NOTE: Please check factory settings and ensure the correct alarm tone is selected for your country or application

Tone Selection / Header Pin Setting - Header pin settings are shown in the tone selection table. The links covered by the jumper are shown with a black rectangle.

Only tones 1, 2, 3, 4, 8 & 9 have been tested to EN54-3 and are compliant with the Construction Products Regulation 305/2011.

AC CIRCUIT

DC CIRCUIT



CPR FILE DRAWING

No modification permitted without reference to "VdS"

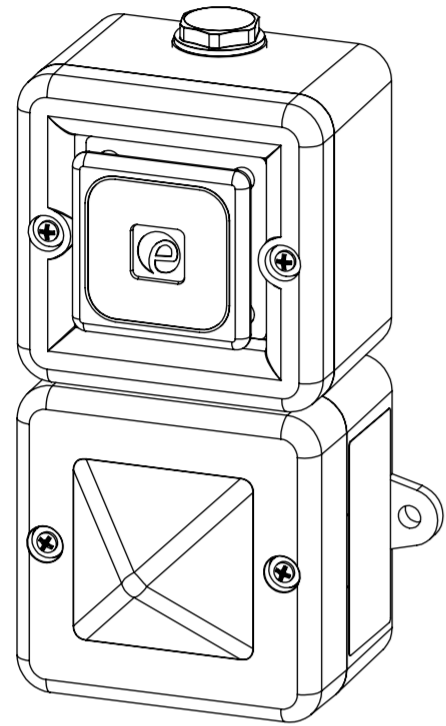
S2 Denotes Stage 2. Stage switches are customer supplied



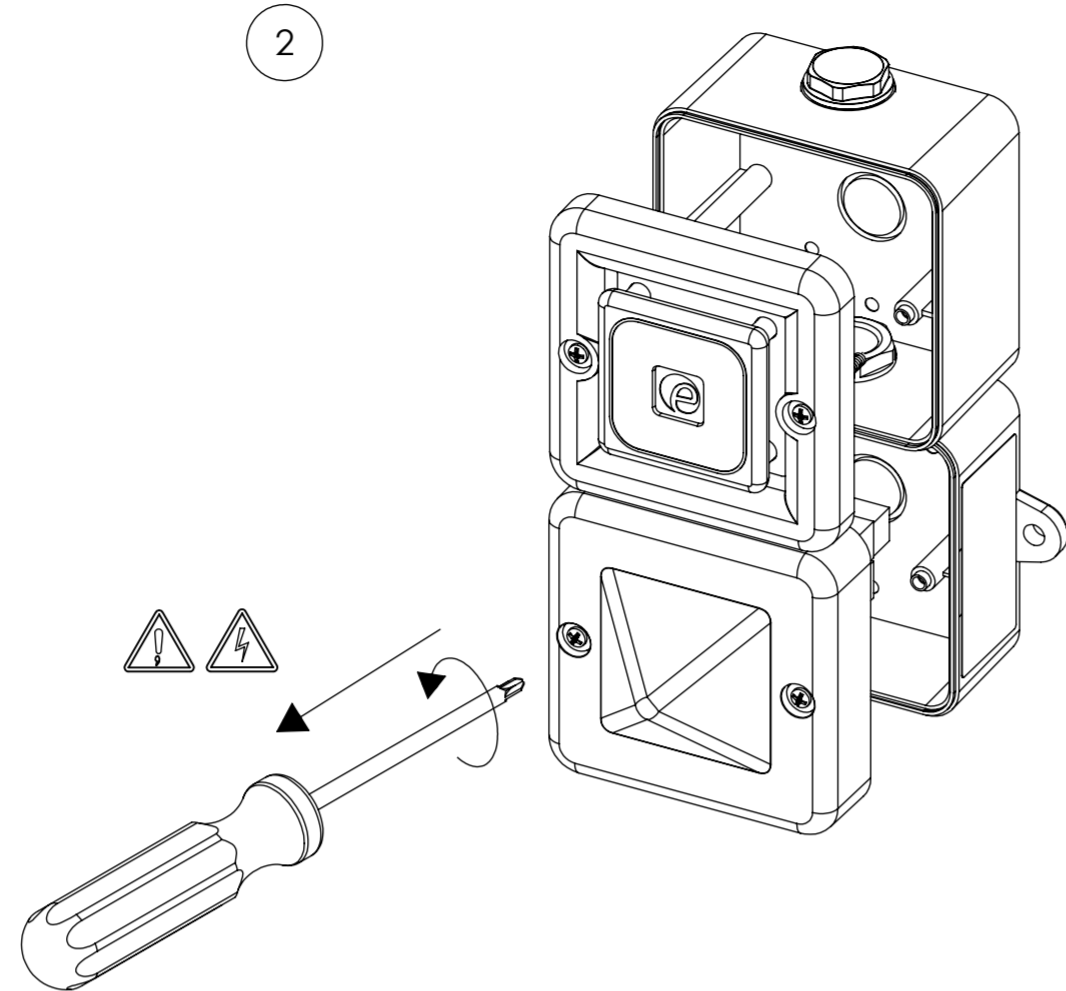
D176-00-501-IS-SC-CPR_SHT1_ISSUE_D

A Alert Alarm SONFL1X

1



2

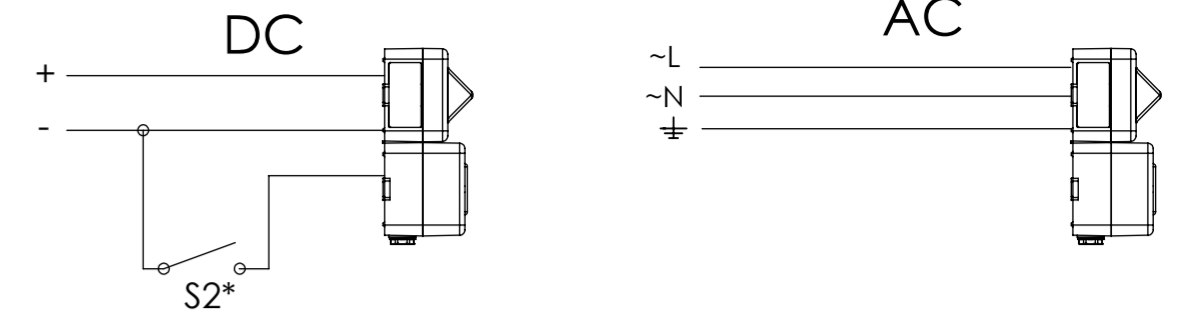


Tel : +44 (0)2 8743 8880 Fax : +44 (0)20 8740 4200
mail : sales@e2s.com web : www.e2s.com

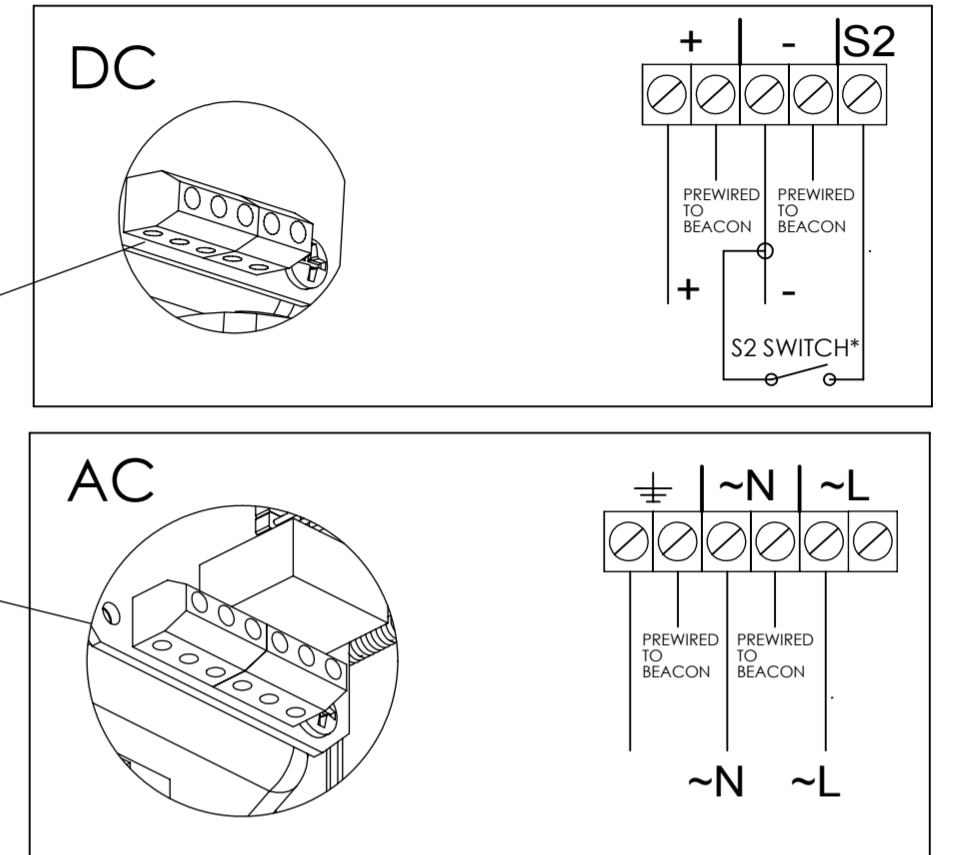
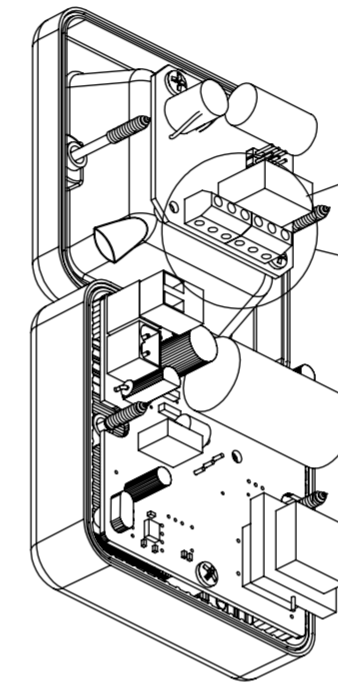


C

TERMINAL BLOCK	A/C INPUT	D/C INPUT
⊥	⊥	N/A
N/-	N~	-
L/+	L~	+
S2	N/A	SWITCH TO -



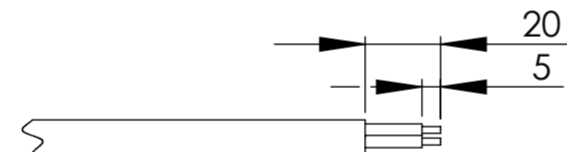
5 CONNECT CABLE AS SHOWN



*S2 Denotes Stage 2. Stage switches are customer supplied

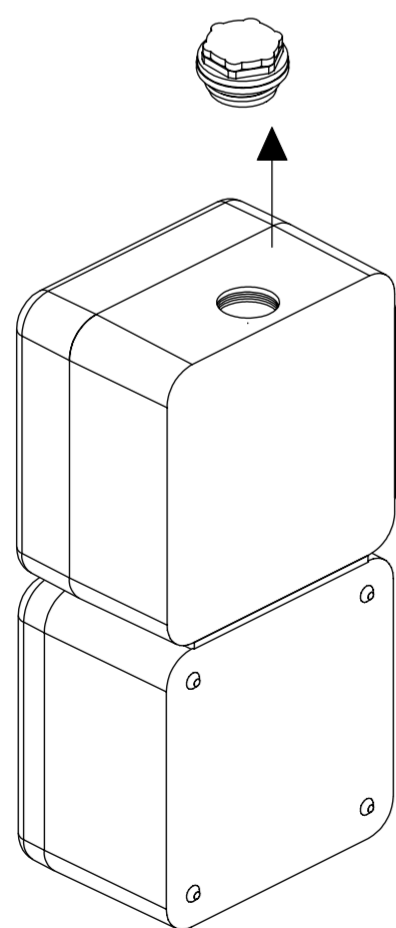


B

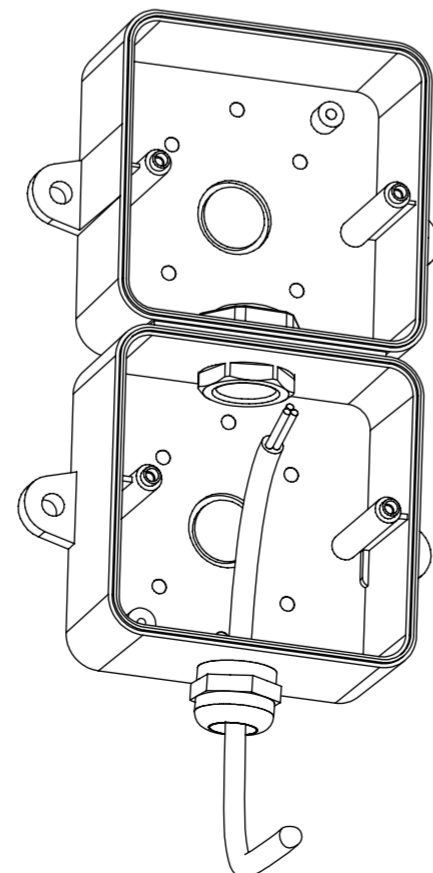


INSERT CABLE THROUGH SUITABLY SIZED M20 CABLE GLAND, CUSTOMER SUPPLIED, THEN STRIP CABLE TO LENGTH.

3



4

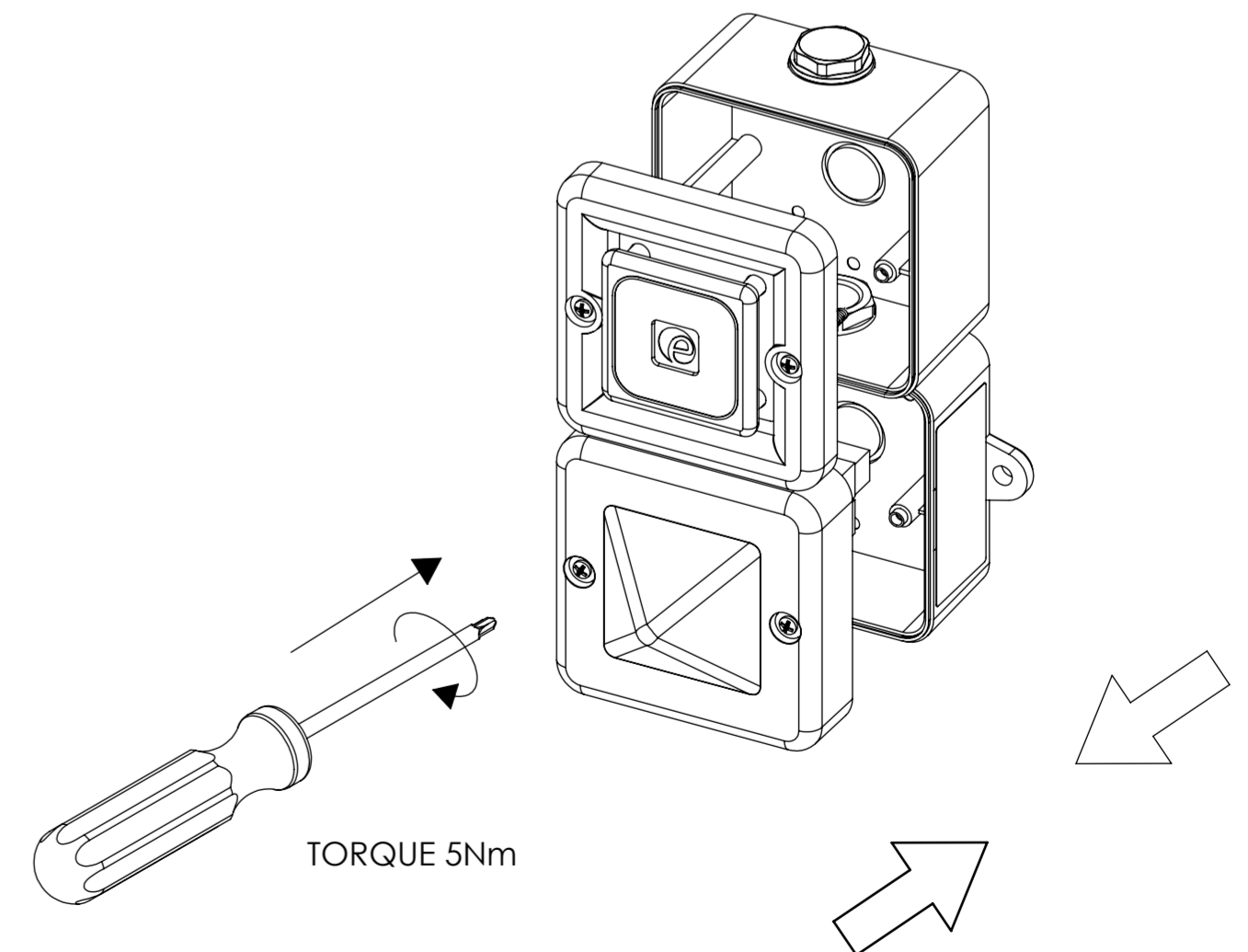


Dimensions in mm



D

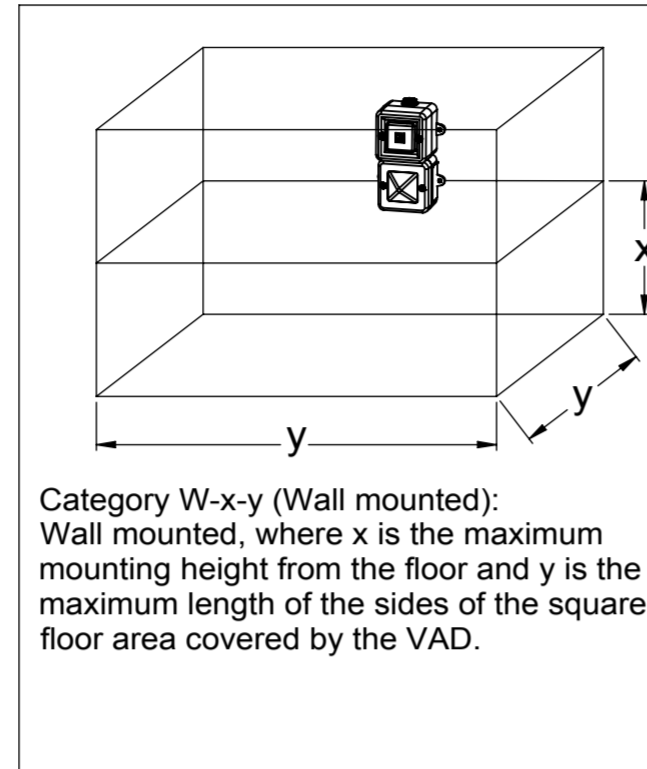
6



CPR FILE DRAWING
No modification permitted without reference to "VdS"

A

SONFL1XDC024 LIGHT OUTPUT



Note: CPR approved units must be positioned sounder on top, beacon below.

Coverage Area According to EN54-23
(Only units in the following table are VdS Approved)

Unit	Category W	Power
SONFL1XDC024[x]/C	W-2.4-4.8 V=55.3m ²	7W

CPR FILE DRAWING

No modification permitted without reference to "VdS"

Tel : +44 (0)2 8743 8880 Fax : +44 (0)20 8740 4200
mail : sales@e2s.com web : www.e2s.com

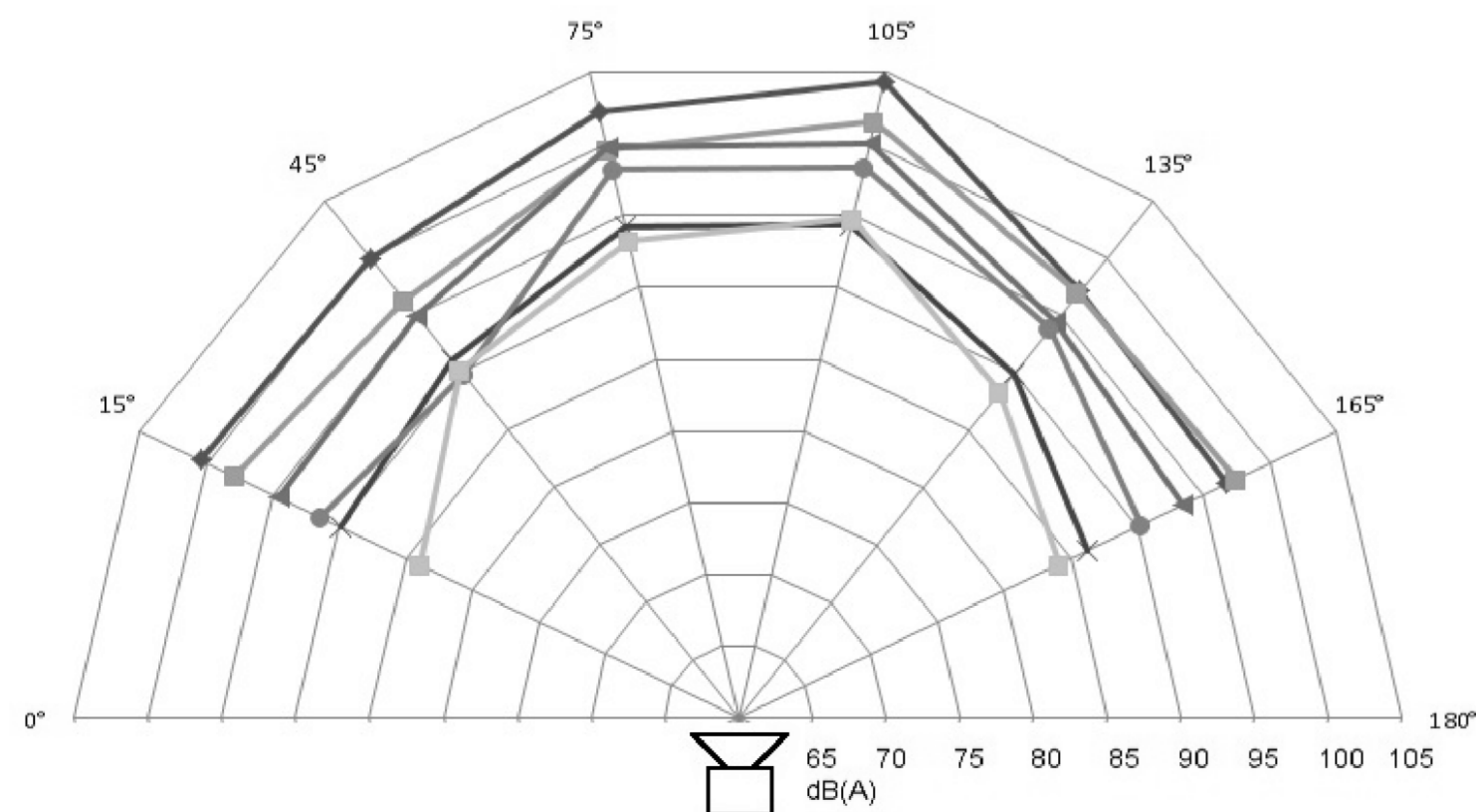


B

SONFL1XDC024 SOUND PRESSURE LEVEL OUTPUT

(TESTING AT MINIMUM VOLTAGE OF 18V DC. ALL READINGS ARE IN dB(A) @ 1m)

SONFL1XDC024 HORIZONTAL POLAR PLOT



SONFL1XDC024 VERTICAL POLAR PLOT

