

**DL-T 55CZ wall mount installation manual for OLED/LCD/LED TV screens.**

Dear clients, thank you for choosing Arkas Sp. z o.o. bracket.

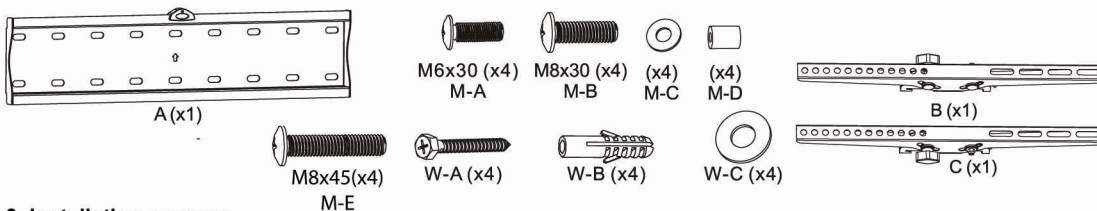
**1. General information.**

Bracket for wall mounting OLED / LCD / LED TV. Concerned about the safety of our customers we inform that the bracket should be installed by a qualified person. The bracket should be used as intended. Before installation, make sure that your TV does not exceed the max load capacity of the bracket. The fastening materials are intended solely for the assembly on the walls of solid wood, brick or concrete, pillars of solid wood with finishing layer thinner than 3cm. For walls made of other materials, please consult a professional.

Technical details	DL-T 55CZ
Screen size	22"- 55"
TV weight	up to 50 kg
VESA min-max	100x100mm - 400x400mm
Distance to the wall	53mm
Vertical adjustment	+/-15°
Set includes	User manual, installation kit

**2. Parts list**

The manufacturer does not take responsibility for damages caused by inappropriate installation or by using parts not included in the package.

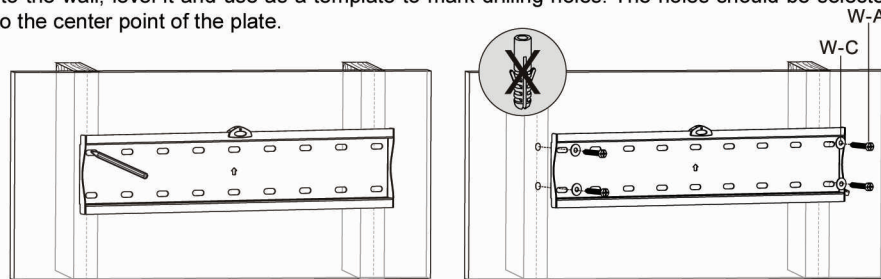


**3. Installation process**

**Caution! Read the manual carefully before assembly.**

**Step 1**

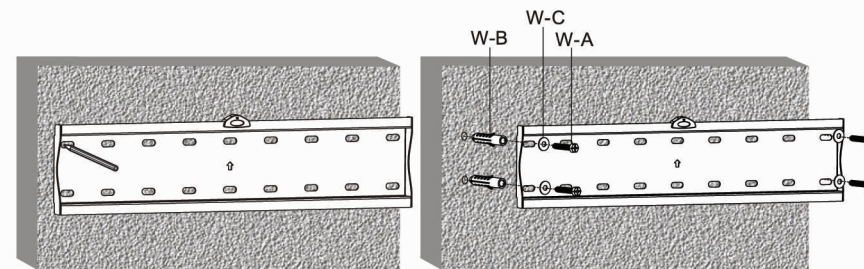
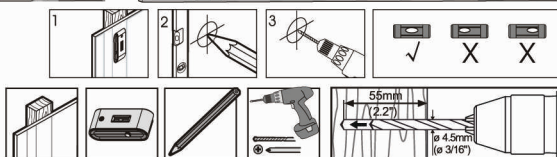
Put plate A up to the wall, level it and use as a template to mark drilling holes. The holes should be selected symmetrically to the center point of the plate.



**Step 2a**

Wooden wall / Wooden pillars

Drill 4 holes (4.5mm in diameter and 55mm deep). Put plate A up to the wall and screw it using W-A screws with W-C washers.



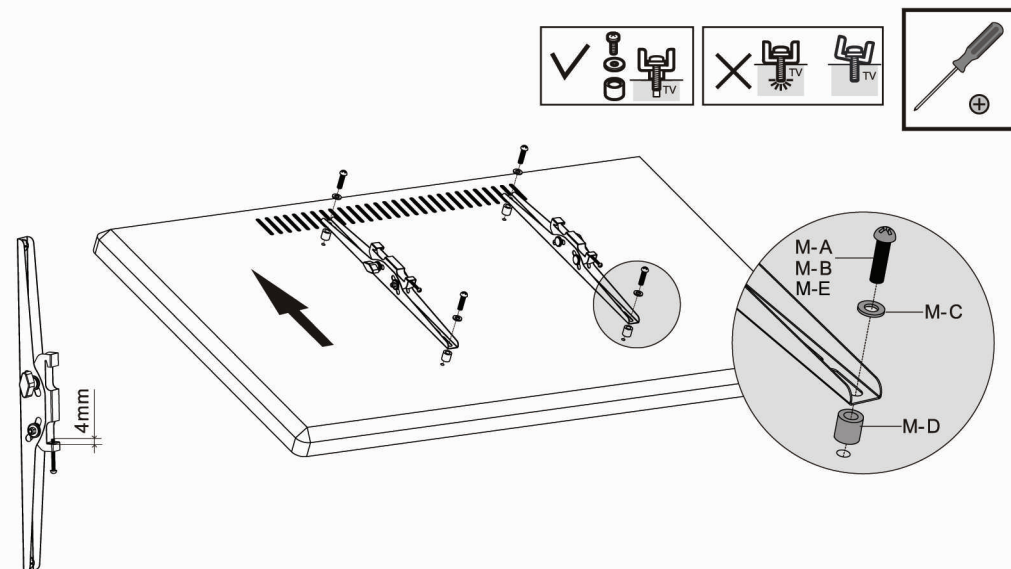
**Step 2b**

Brick / Concrete

Drill 4 holes (10mm in diameter and 60mm deep). Insert screw anchors in each of the drilled holes. Put plate A up to the wall and screw it using W-A screws with W-C washers.

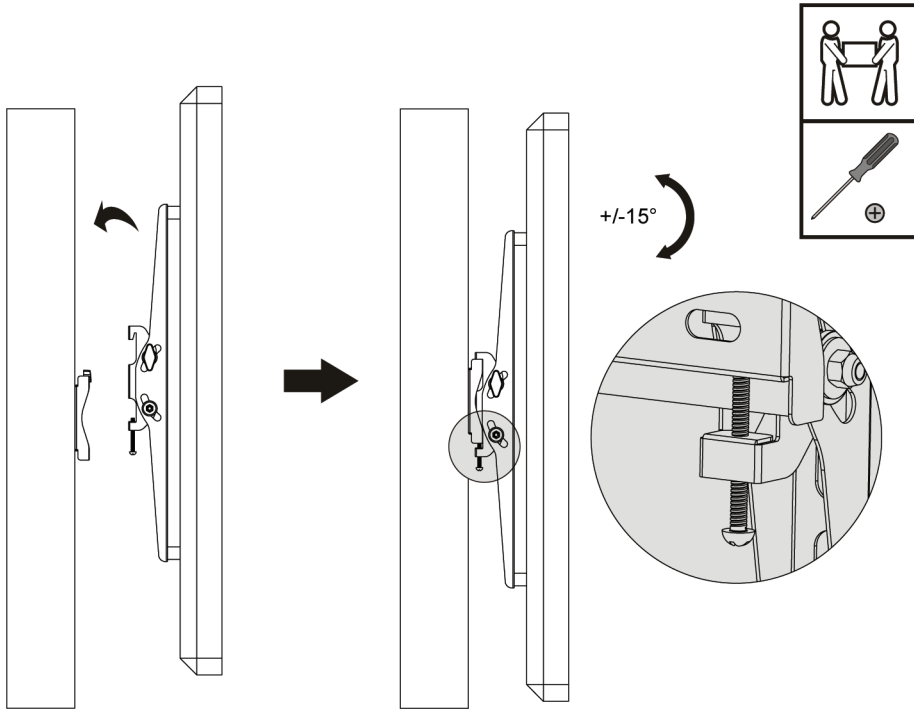
**Step 3**

Attach the mount adapters to the back of the TV screen. Use B and C adapters, M-C washers, M-D spacers and M-A / M-B / ME screws (depending on the size of the holes on the TV).



**Step 4**

Remove the screws from the bottom of the adapters. Hang the screen on the holder plate attached to the wall. Before releasing the screen, make sure that both adapters are clinging to the holder plate. Secure the screen by re-tightening the screws on the bottom of the adapters. They should hook on the bottom of the holder plate.



**Step 5**

Use knobs on the sides of the adapters to adjust the vertical tilt of the screen. Untighten them, set desirable tilt and tighten them back securely.